



Aircraftplugs®

Producer of ground power connectors



Connect with confidence
Disconnect in safety

Aircraftplugs®

Kruisboommolestraat 7/9
Industrialpark strohof - B-8800 Roeselare
BELGIUM



Aircraftplugs®

Connect with Confidence, Disconnect in Safety with Aircraftplugs®

Aircraftplugs® manufactures aircraft and helicopter power connectors Worldwide deliveries

Aircraftplugs advantages

- minimum structure for maximum efficiency
- strategic locations around the world and fast distribution
- hi-tech production equipment
- orders tailored to the customer's needs
- competitive prices
- expansive international reputation and no-nonsense style
- Every delivery comes with the technical data sheets and certificates
- Performance and dimensions to Mil spec, ISO, and appropriate MOD (Air)and NSN Standards



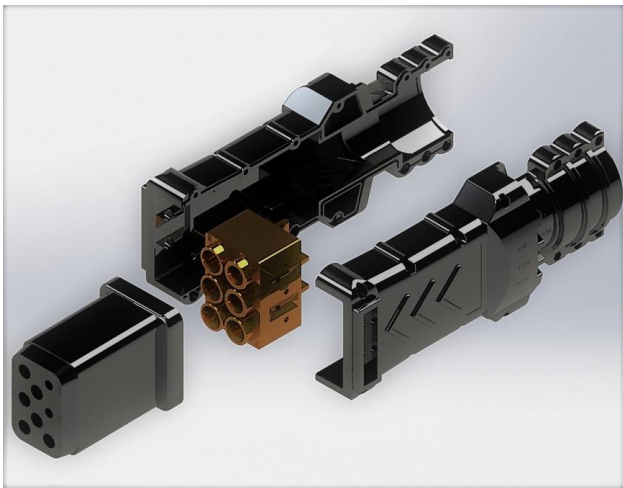
Your green, reliable partner in Aviation Connectors

 Aircraftplugs®



ABOUT US

- Aircraftplugs, develops, tests and manufactures battery connectors, DC and AC 400 Hz. connectors and assemblies for the aeronautical industries. (Airports, Handling companies, Airlines and private users.)
- Deliveries throughout Europe and the rest of the world are prompt and right on time.
- Aircraftplugs is a Belgium based company established in 1997 and started with the mass production in 2007. We managed to increase business together with the expansion of the production facilities, warehouses and up-to-date testing facilities in a short period of time.
- We stand for top quality products, client first service and worldwide on-time deliveries.
- With over 25 years of experience in the airline industry.
- We do have a 6000 m² productions site, with state of the art CNC machinery and own testing facilities. Own molding and injection machines.
- More than 100.000 connectors in stock at all times.

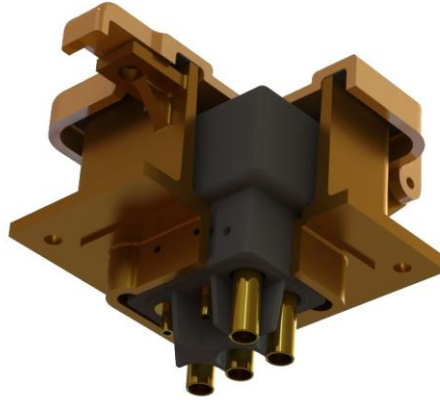
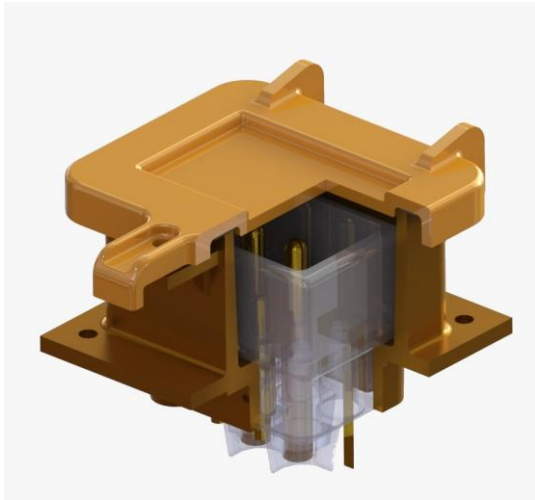




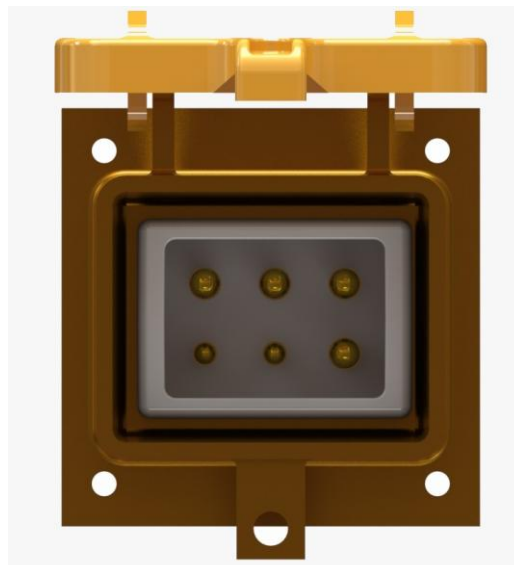
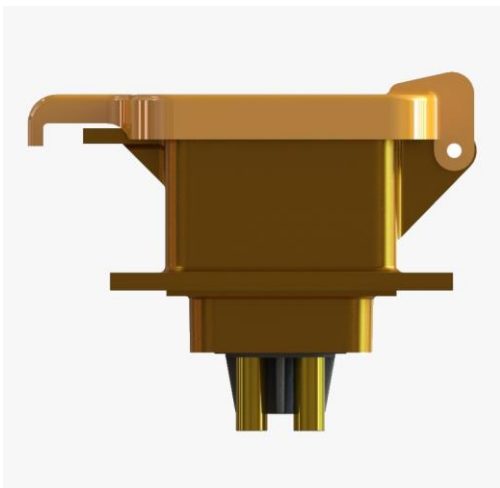
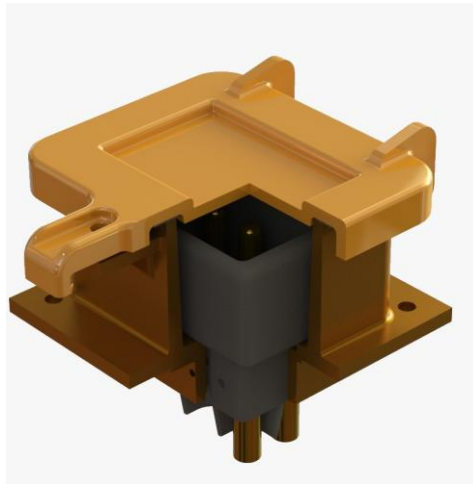
Clients Testimonial :

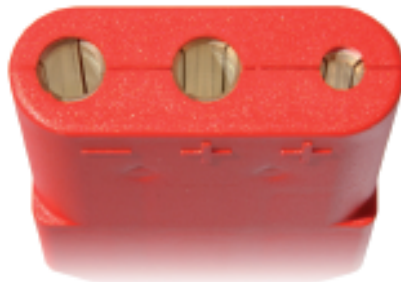
"Our global search for the best connector for our aviation ground power units led us to Aircraftplugs.

All of our efforts to provide stable, clean airframe power ultimately depends on a solid, reliable connection to the aircraft. That's why we use Aircraftplugs connectors exclusively for our GPUs... the best quality, the best value, and a reliable business partner for 11 years now."



28VDC – 400 Hz sockets – receptacles available in stock | Optional in own color





Contents

| | |
|--|--|
| Aircraftplugs® INDEX | |
| Aircraftplugs® AN2551 | |
| Aircraftplugs® 3-POLE 28VDC | |
| Aircraftplugs® Rubber 6-POLE 400Hz | |
| Aircraftplugs® 12 Volt piper plugs | |
| Aircraftplugs® Receptables | |
| Aircraftplugs® Portable Receptables | |
| Aircraftplugs® 6-POLE replaceable contacts with leds thermal control switche | |
| Aircraftplugs® 400Hz Cables | |
| Aircraftplugs® MIL-DTL connectors | |
| Conversion table | |

See our Website www.aircraftplugs.com for latest updates.





PROPERTIES

Perfect solution for battery chargers , testing power supplies and maintenance.
 Mates with the AN2552-3A external power receptacle.
 Screws together in seconds
 Portable unit which can be carried in the aircraft at all times because it is so lightweight.
 It can be used to start the aircraft from an ordinary car using standard jumper cables.
 Is a simple conduit of power from any external power source to the aircraft.
 It is not a battery in and of itself. Can be used for either 28V or 14V systems
 240A continuous, peak 1500 Amps, control contact 35 A continuous

PARTNUMBERS

| PLUG PART | Configuration |
|-----------|--|
| ACPJ&P | Complete plug & jump universal model. |
| ACPJ&P-A | plug & jump universal model housing. |
| ACPJ&P-B | plug & jump universal model aux contact. |
| ACPJ&P-C | plug & jump universal model main contact |
| ACPJ&P-D | plug & jump universal model with crocodile clamps. |
| ACPJ&P-P | plug & jump piper model |





PROPERTIES

450 A continuous , 1500 A for 1 minute,
 Mates with the piper external power receptacle.
 Cable assemblies to client requirements available.
 Do not use unattended, standard Piper plug with cable is recommended.

PARTNUMBERS

| PLUG PART | Configuration |
|-----------|--|
| ACPJ&P | Complete plug & jump universal model. |
| ACPJ&P-A | plug & jump universal model housing. |
| ACPJ&P-B | plug & jump universal model aux contact. |
| ACPJ&P-C | plug & jump universal model main contact |
| ACPJ&P-D | plug & jump universal model with crocodile clamps. |
| ACPJ&P-P | plug & jump Piper model |

Aircraftplugs® AN2551 Connectors



GENERAL - ADVANTAGES

- Ergonomic and high impact resistance, polycarbonate external power connector.
- 3 PIN NATO AN2551 external power connector for 12V / 24V or 28VDC application
- Patented connector worldwide in usage.
- Mates with AN2552 receptacle.
- Black rubber variant available.
- Quality durable silver plated contacts.

PROPERTIES

Hardness 13800psi, max. cable 50 mm² / 1 AWG

Mates with the Aircraftplugs AN2552-3A external power receptacle.

Performance and dimensions to ISO 461 (BS4G173:1985) and appropriate MOD (Air) and NSN Standards.

Cable assemblies to client requirements available.

Recommended wires : 25mm² or 4 AWG.

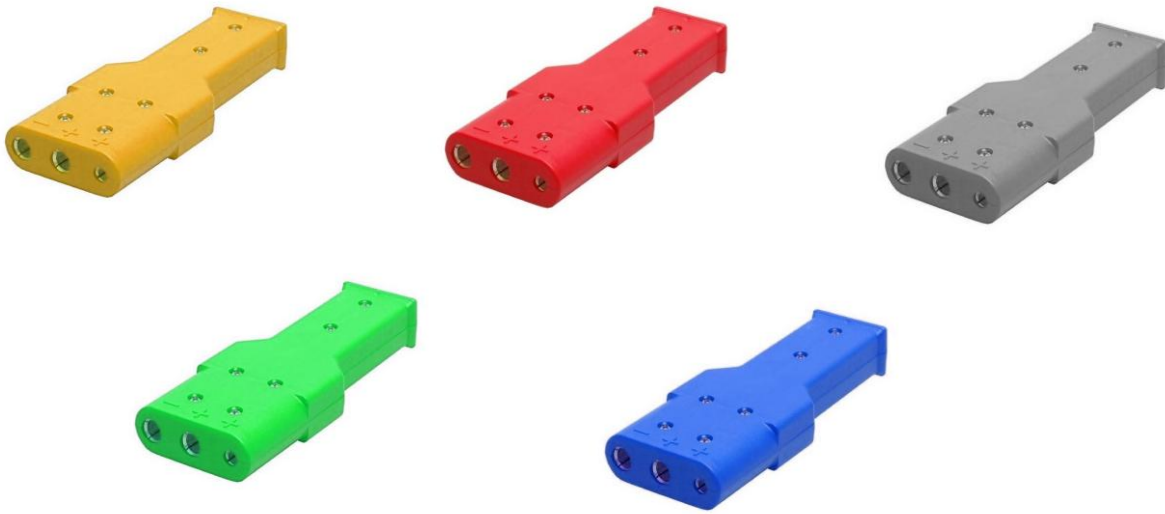
240A continuous, peak 1500 Amps, control contact 35 A continuous.

PARTNUMBERS

| PART NUMBER | |
|-------------|---|
| AN2551 | Complete plug AN2551. |
| AN2551-F | Set of 2 main contacts and relay contact. |
| AN2551-C | Set of 2 main contacts pure copper silver plated with spring system. |
| AN2551-L | Relay contact with switch with cables. |
| AN2551-M | Relay contact with split contact and cables. |
| AN2551-N | Relay contact with internal spring. |
| AN2551-P | Polycarbonate cover. (no holes) |
| AN2551-O | Polycarbonate cover red with holes. |
| AN2551-S | Set of 6 stainless steel screw. |
| AN2551-A | Assembly of AN2551 connector with 2 meters (7 feet) 25mm ² cable. (4AWG) |
| AN2551-B | Assembly of AN2551 connector with 2 meters (7 feet) 35mm ² cable. (2AWG) |
| AN2551-D | Assembly of AN2551 connector assembly with crocodile clamps. (2 meters 7 feet). |

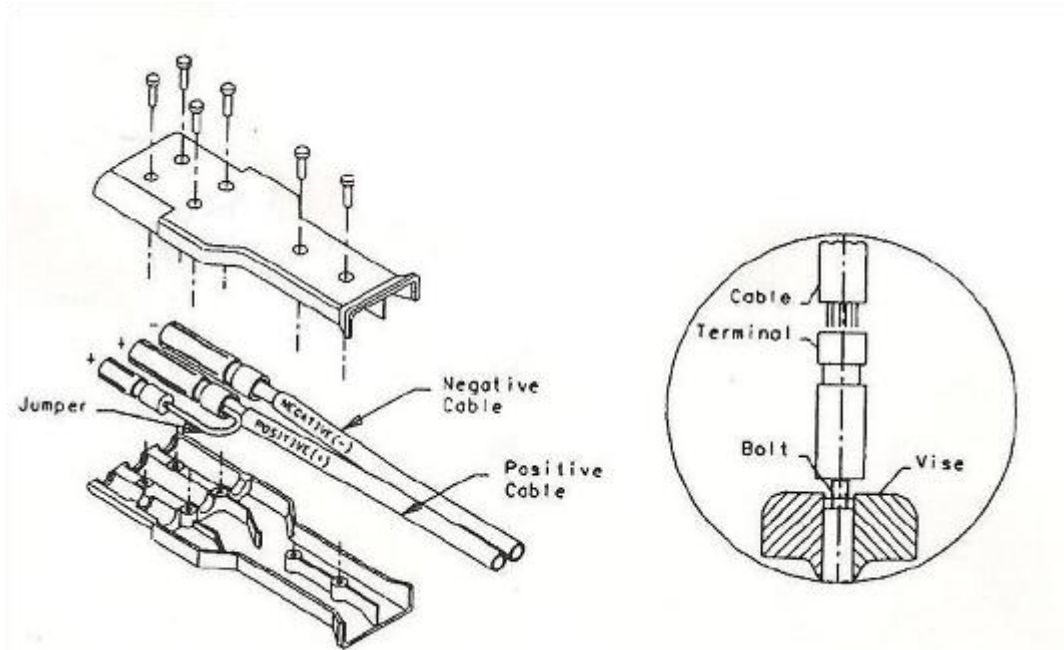


Aircraftplugs® AN2551 Connectors



TAILOR MADE

You want to give your ground power unit its own special look and feel.
You're looking for a custom made to order color. You can work with our color experts to choose



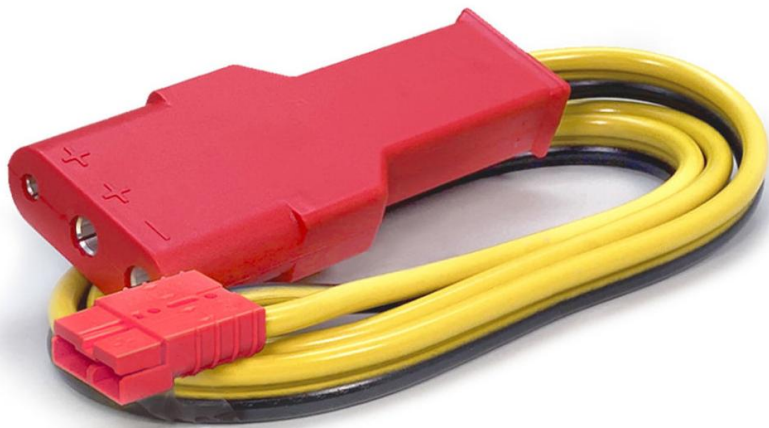


Piper connector Assembly

P/N ACP-Piper1

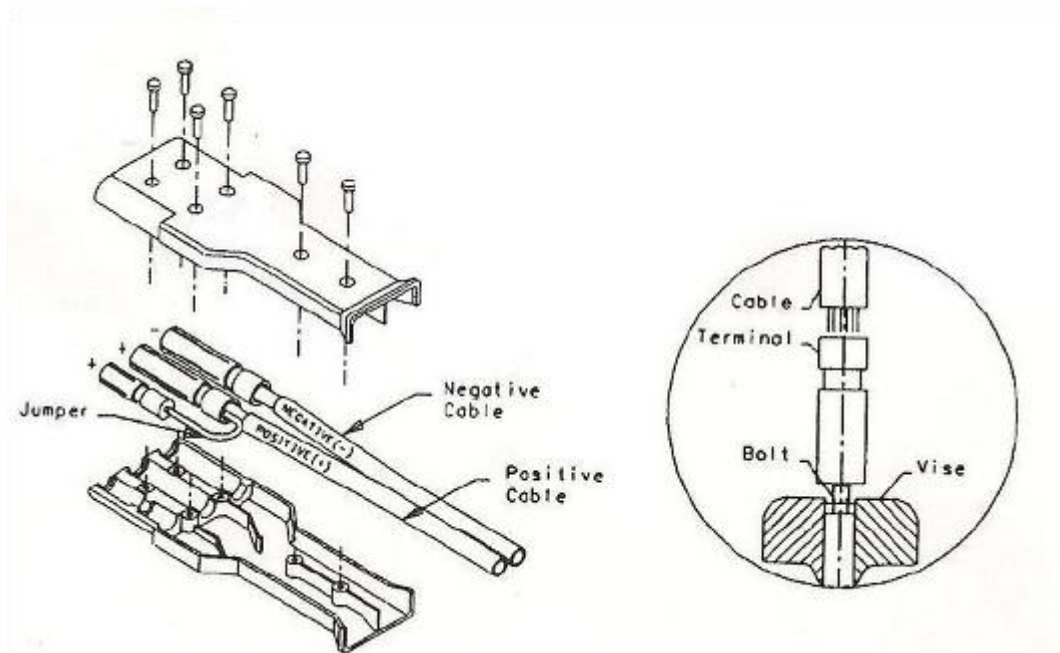
12V assembly with SB connector

Aircraftplugs® AN2551 Connectors



AN2551 Assembly

AN2551 Assembly P/N ACP-AN2551-SB1





External Power Connector Kit for Experimental

Kit to install a quick connect harness for 12V experimental and amateur-built aircraft. May be installed as a battery charging port and/or a ground power receptacle. Standard yellow mating Anderson SB50.



Airframe charger for 28V Certified Aircraft

- Quick connect battery charger harness kit
- Aviation grade components for FAA-certified aircraft
- Adapts BatteryMINDER® SAE plug to Anderson SB50
- Rugged handle with strain relief
- No FAA field approval or Form 337 is required
- Certified mechanic can install and return to service



GENERAL - ADVANTAGES

Designed and manufactured by Aircraftplugs® Worldwide usage. (Patented connector)
 3 poles – 28VDC external power female 3 poles rubber plug for aircraft and helicopters.
 Made to Mil-C-7974 standards ,MS25488
 Mil-C-5756 electrical cable it is meeting the MS90347 specification.
 The 3 poles DC Aircraftplugs® is a robust and durable connector.
 Sleeves are machined solid copper, silver plated.
 Special cable sizes and configurations on request.

PROPERTIES

450 A continuous , 1500 A for 1 minute, control contact 35 A continuous.
 Mates with the Aircraftplugs AN2552-3A external power receptacle.
 Performance and dimensions to ISO 461 (BS4G173:1985) and appropriate MOD (Air) and NSN Standards.
 Cable assemblies to client requirements available.
 Max. wire 120mm² or 4/0 AWG 250 MCM.
 Stainless steel screws.

PARTNUMBERS

| PLUG PART | MIL. PART | CABLE section | GRUMMET | RECEPTACLE |
|-----------|------------|--|---------|------------|
| ACP3P1 | - | 8mm ² #8/2 | ACP3P1G | ACP3R1 |
| ACP3P2 | - | 35mm ² 2-1/0 | ACP3P2G | ACP3R2 |
| ACP3P3 | MS25488-25 | 50 mm ² 2-1/0 | ACP3P3G | ACP3R3 |
| ACP3P4 | MS25488-26 | 70 mm ² 2-2/0 single conductor | ACP3P4G | ACP3R4 |
| ACP3P5 | - | 70 mm ² 2-2/0 | ACP3P5G | ACP3R5 |
| ACP3P6 | - | 90 mm ² 2-3/0 | ACP3P6G | ACP3R6 |
| ACP3P7 | MS25488-27 | 120 mm ² 2-4/0 single conductor | ACP3P7G | ACP3R7 |
| ACP3P8 | - | 120 mm ² 2-4/0 oval twin conductor | ACP3P8G | ACP3R8 |
| ACP3P9 | - | 120 mm ² 2-2/0 welding single cond. | ACP3P9G | ACP3R9 |


ACP3P – A

Designed and manufactured by Aircraftplugs® Worldwide usage. (Patented connector)
 3 poles – 28VDC external power female 3 poles rubber plug for aircraft and helicopters.
 Made to Mil-C-7974 standards ,MS25488
 Connected to Mil-C-5756 electrical cable it is meeting the MS90347 specification.
 The 3 poles DC Aircraftplugs® is a robust and durable connector.
 Sleeves are machined solid copper, silver plated.
 Special cable sizes and configurations on request.
 Separated contact to AUX pole available.
 Split pin configuration optional.

PARTNUMBERS

| PLUG PART | MIL. PART | CABLE section | GRUMMET | RECEPTACLE |
|-----------|------------|--|-----------|------------|
| ACP3P1-A | - | 8mm ² #8/2 | ACP3P1G-A | ACP3R1-A |
| ACP3P2-A | - | 35mm ² 2-1/0 | ACP3P2G-A | ACP3R2-A |
| ACP3P3-A | MS25488-25 | 50 mm ² 2-1/0 | ACP3P3G-A | ACP3R3-A |
| ACP3P4-A | MS25488-26 | 70 mm ² 2-2/0 single conductor | ACP3P4G-A | ACP3R4-A |
| ACP3P5-A | - | 70 mm ² 2-2/0 | ACP3P5G-A | ACP3R5-A |
| ACP3P6-A | - | 90 mm ² 2-3/0 | ACP3P6G-A | ACP3R6-A |
| ACP3P7-A | MS25488-27 | 120 mm ² 2-4/0 single conductor | ACP3P7G-A | ACP3R7-A |
| ACP3P8-A | - | 120 mm ² 2-4/0 oval twin conductor | ACP3P8G-A | ACP3R8-A |
| ACP3P9-A | - | 120 mm ² 2-2/0 welding single cond. | ACP3P9G-A | ACP3R9-A |

PROTECT GPU CABLES ON THE RAMP

Available in any length and diameter.

- Extend cable's LIFE
- High Visibility
- Protect from harsh environment, heat,UV.
- Avoid physical damage
- Own company logo optional
- Reduce Hazards



LCD WEAR STRIP

PROTECT GPU CABLES ON THE RAMP

Available in any length and diameter.

- Extend cable's LIFE
- High Visibility
- Low weight
- Industrial strength
- Worldwide in use.
- Protect from harsh environment, heat,UV.
- Avoid physical damage
- Own company logo optional
- Reduce Hazards





LCD Ground Power Cable Scuffer

Available in 3,9,10 or 12 meter or on request.

PARTNUMBERS

| P/N | Description |
|------------|--|
| ACPSCUFF3 | Ground Power Cable Scuffer 3 meter |
| ACPSCUFF9 | Ground Power Cable Scuffer 9 meter |
| ACPSCUFF10 | Ground Power Cable Scuffer 10 meter |
| ACPSCUFF12 | Ground Power Cable Scuffer 12 meter |
| ACPSCUFF9F | LCD Ground Power Cable Scuffer 9 meter |


ACP3P – A

Designed and manufactured by Aircraftplugs® Worldwide usage. (Patented connector)
 3 poles – 28VDC external power female 3 poles rubber plug for aircraft and helicopters.
 Made to Mil-C-7974 standards ,MS25488
 Connected to Mil-C-5756 electrical cable it is meeting the MS90347 specification.
 The 3 poles DC Aircraftplugs® is a robust and durable connector.
 Sleeves are machined solid copper, silver plated.
 Special cable sizes and configurations on request.
 Separated contact to AUX pole available.
 Split pin configuration optional.

PARTNUMBERS

| PLUG PART | MIL. PART | CABLE section | GRUMMET | RECEPTACLE |
|-----------|------------|--|-----------|------------|
| ACP3P1-A | - | 8mm ² #8/2 | ACP3P1G-A | ACP3R1-A |
| ACP3P2-A | - | 35mm ² 2-1/0 | ACP3P2G-A | ACP3R2-A |
| ACP3P3-A | MS25488-25 | 50 mm ² 2-1/0 | ACP3P3G-A | ACP3R3-A |
| ACP3P4-A | MS25488-26 | 70 mm ² 2-2/0 single conductor | ACP3P4G-A | ACP3R4-A |
| ACP3P5-A | - | 70 mm ² 2-2/0 | ACP3P5G-A | ACP3R5-A |
| ACP3P6-A | - | 90 mm ² 2-3/0 | ACP3P6G-A | ACP3R6-A |
| ACP3P7-A | MS25488-27 | 120 mm ² 2-4/0 single conductor | ACP3P7G-A | ACP3R7-A |
| ACP3P8-A | - | 120 mm ² 2-4/0 oval twin conductor | ACP3P8G-A | ACP3R8-A |
| ACP3P9-A | - | 120 mm ² 2-2/0 welding single cond. | ACP3P9G-A | ACP3R9-A |



Left : 28VDC connector ACP3P-A
Right: 28VDC Portable receptacle

Technical data

The new 28VDC Replaceable Contact Section from Aircraftplugs is specially designed with a tapered edge to fit securely on any aircraft on the market today that utilizes 28VDC / 24VDC power.

A highly durable rubber selected for its strength, durability and longer life.

450 Amps max. continuous current.

1500 Amps maximum 1 minute.

Control component 35 amps continuous current.

Different grummet configurations, 3 or 5 cables.

Split control pins & tubes.

Crimped or soldered contacts.

Durable silver plated power and aux. contacts

It fit all aircraft types with a DC external power receptacle.



REPLACEMENT NOSE SECTIONS - ADVANTAGES

The new 28VDC Replaceable Contact Section from Aircraftplugs is specially designed with a tapered edge to fit securely on any aircraft on the market today that utilizes 28VDC / 24VDC power.

A highly durable composite , nylon selected for its strength, durability and longer life.

It fit all aircraft types with a DC external power receptacle.

The replacement will increase the life of cables even longer by allowing the nose cap to be easily replaced.

Main advantages :

- Increases safety on the ramp.
- Extend the life of your connectors.
- Will reduce maintenance cost.
- Construction screws together in minutes.

PARTNUMBERS

| PLUG PART | |
|-----------|---|
| ACP3PNS-B | 28VDC Rubber connector with Blue contact section in composite |
| ACP3PNS-R | 28VDC Rubber connector with Red contact section in composite |
| ACP3PNS-G | 28VDC Rubber connector with Green contact section in composite |
| ACP3PNS-Y | 28VDC Rubber connector with Yellow contact section in composite |

Aircraftplugs® AN2551 Connectors

4,5,6 wire (aux. Contact)



GENERAL - ADVANTAGES

- 4,5,6 wire , high impact resistance , rubber external power connector.
- 3 PIN NATO AN2551 external power connector for 12V / 24V or 28VDC application
- Optional split control switch contact..
- (2 x 2) or (1 x 2) main wires configuration .
- Mates with AN2552 receptacle .
- Machined silver plated contacts .
- Special cable sizes and configurations on request .

PROPERTIES

450 A continuous , 1500 A for 1 minute, control contact 35 A continuous.

Mates with the aircraftplugs AN2552-3A external power receptacle.

Performance and dimensions to ISO 461 (BS4G173:1985) and appropriate MOD (Air) and NSN Standards.

Cable assemblies to client requirements available.

Max. wire 120mm² or 4/0 AWG 250 MCM.

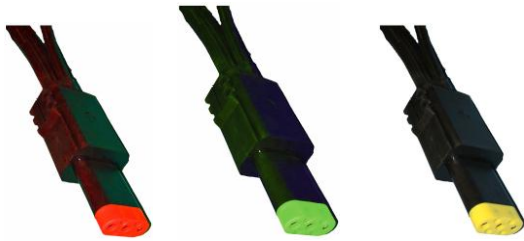
Stainless steel screws.

PARTNUMBERS

| PLUG PART | Configuration | CABLE section | GRUMMET | RECEPTACLE |
|-----------|-------------------|--|----------|------------|
| ACP3P1-4 | 4 wires / 2 wires | 8mm ² #8/2 | ACP3P1GW | ACP3R1 |
| ACP3P2-4 | 4 wires / 2 wires | 35mm ² 2-1/0 | ACP3P2GW | ACP3R2 |
| ACP3P3-4 | 4 wires / 2 wires | 50 mm ² 2-1/0 | ACP3P3GW | ACP3R3 |
| ACP3P4-4 | 4 wires / 2 wires | 70 mm ² 2-2/0 single conductor | ACP3P4GW | ACP3R4 |
| ACP3P5-4 | 4 wires / 2 wires | 70 mm ² 2-2/0 | ACP3P5GW | ACP3R5 |
| ACP3P6-4 | 4 wires / 2 wires | 90 mm ² 2-3/0 | ACP3P6GW | ACP3R6 |
| ACP3P7-4 | 4 wires / 2 wires | 120 mm ² 2-4/0 single conductor | ACP3P7GW | ACP3R7 |
| ACP3P8-4 | 4 wires / 2 wires | 120 mm ² 2-4/0 oval twin conductor | ACP3P8GW | ACP3R8 |
| ACP3P9-4 | 4 wires / 2 wires | 120 mm ² 2-2/0 welding single cond. | ACP3P9GW | ACP3R9 |

Aircraftplugs® AN2551 Connectors

4,5,6 wire (aux. Contact)



REPLACEMENT NOSE SECTIONS – ADVANTAGES - 4/5 WIRE 28VDC CONNECTOR

The new 28VDC Replaceable Contact Section from Aircraftplugs is specially designed with a tapered edge to fit securely on any aircraft on the market today that utilizes 28VDC / 24VDC power.

A highly durable composite , nylon selected for its strength, durability and longer life.

It fit all aircraft types with a DC external power receptacle.

The replacement will increase the life of cables even longer by allowing the nose cap to be easily replaced.

Main advantages :

- Increases safety on the ramp.
- Extend the life of your connectors.
- Will reduce maintenance cost.
- Construction screws together in minutes.

PARTNUMBERS

| PLUG PART | Configuration | CABLE section | GRUMMET | RECEPTACLE |
|-----------|-------------------|--|----------|------------|
| ACP3P1-4 | 4 wires / 2 wires | 8mm ² #8/2 | ACP3P1GW | ACP3R1 |
| ACP3P2-4 | 4 wires / 2 wires | 35mm ² 2-1/0 | ACP3P2GW | ACP3R2 |
| ACP3P3-4 | 4 wires / 2 wires | 50 mm ² 2-1/0 | ACP3P3GW | ACP3R3 |
| ACP3P4-4 | 4 wires / 2 wires | 70 mm ² 2-2/0 single conductor | ACP3P4GW | ACP3R4 |
| ACP3P5-4 | 4 wires / 2 wires | 70 mm ² 2-2/0 | ACP3P5GW | ACP3R5 |
| ACP3P6-4 | 4 wires / 2 wires | 90 mm ² 2-3/0 | ACP3P6GW | ACP3R6 |
| ACP3P7-4 | 4 wires / 2 wires | 120 mm ² 2-4/0 single conductor | ACP3P7GW | ACP3R7 |
| ACP3P8-4 | 4 wires / 2 wires | 120 mm ² 2-4/0 oval twin conductor | ACP3P8GW | ACP3R8 |
| ACP3P9-4 | 4 wires / 2 wires | 120 mm ² 2-2/0 welding single cond. | ACP3P9GW | ACP3R9 |



For cable extensions or safety break-away.
2, 3, 4 or 5 wire configuration.

GENERAL

- Portable receptacle. High impact resistance., 3 poles DC receptacle with male contacts.
- 3 PIN NATO AN2551 external power connector for 12V / 24V or 28VDC application.
- 1 x 2 or 2 x 2 main wires configuration.
- Machined silver plated contacts.
- Special cable sizes and configurations on request.
- For cable extensions or safety break-away.
- Worldwide in use.

PROPERTIES

450 A continuous , 1500 A for 1 minute, control contact 35 A continuous.

Mates with the aircraftplugs AN2551 external power connector

Performance and dimensions to ISO 461 (BS4G173:1985) and appropriate MOD (Air) and NSN Standards.

Cable assemblies to client requirements available.

Max. wire 120mm² or 4/0 AWG 250 MCM.

Stainless steel screws.

Receptacles available with 2 main wires or 4 main wires. Please specify upon ordering.

PARTNUMBERS

| PLUG PART | Configuration | CABLE section | GRUMMET | RECEPTACLE |
|-----------|---------------|--|----------|------------|
| ACP3P1-4 | 4 or 2 wires | 8mm ² #8/2 | ACP3P1GW | ACP3R1 |
| ACP3P2-4 | 4 or 2 wires | 35mm ² 2-1/0 | ACP3P2GW | ACP3R2 |
| ACP3P3 | 4 or 2 wires | 50 mm ² 2-1/0 | ACP3P3GW | ACP3R3 |
| ACP3P4 | 4 or 2 wires | 70 mm ² 2-2/0 single conductor | ACP3P4GW | ACP3R4 |
| ACP3P5 | 4 or 2 wires | 70 mm ² 2-2/0 | ACP3P5GW | ACP3R5 |
| ACP3P6 | 4 or 2 wires | 90 mm ² 2-3/0 | ACP3P6GW | ACP3R6 |
| ACP3P7 | 4 or 2 wires | 120 mm ² 2-4/0 single conductor | ACP3P7GW | ACP3R7 |
| ACP3P8 | 4 or 2 wires | 120 mm ² 2-4/0 oval twin conductor | ACP3P8GW | ACP3R8 |
| ACP3P9 | 4 or 2 wires | 120 mm ² 2-2/0 welding single cond. | ACP3P9GW | ACP3R9 |


GENERAL

- 4,5,6 wire , high impact resistance, rubber external power connector.
- 3 PIN NATO AN2551 external power connector for 12V / 24V or 28VDC application
- split control switch contact..
- 2 x 2 (or 1 x 2) main wires configuration
- Mates with AN2552 receptacle.
- Silver plated contacts.
- Special cable sizes and configurations on request.

PROPERTIES

450 A continuous , 1500 A for 1 minute, control contact 35 A continuous.

Mates with the aircraftplugs AN2552-3A external power receptacle.

Performance and dimensions to ISO 461 (BS4G173:1985) and appropriate MOD (Air) and NSN Standards.

Cable assemblies to client requirements available.

Max. wire 120mm² or 4/0 AWG 250 MCM.

Stainless steel screws.

PARTNUMBERS

| PLUG PART | Configuration | CABLE section | GRUMMET | RECEPTACLE |
|-----------|---------------|--|----------|------------|
| ACP3P1-4 | 4 wires | 8mm ² #8/2 | ACP3P1GW | ACP3R1 |
| ACP3P2-4 | 4 wires | 35mm ² 2-1/0 | ACP3P2GW | ACP3R2 |
| ACP3P3-4 | 4 wires | 50 mm ² 2-1/0 | ACP3P3GW | ACP3R3 |
| ACP3P4-4 | 5 wires | 70 mm ² 2-2/0 single conductor | ACP3P4GW | ACP3R4 |
| ACP3P5-4 | 5 wires | 70 mm ² 2-2/0 | ACP3P5GW | ACP3R5 |
| ACP3P6-4 | 5 wires | 90 mm ² 2-3/0 | ACP3P6GW | ACP3R6 |
| ACP3P7-4 | 5 wires | 120 mm ² 2-4/0 single conductor | ACP3P7GW | ACP3R7 |
| ACP3P8-4 | 6 wires | 120 mm ² 2-4/0 oval twin conductor | ACP3P8GW | ACP3R8 |
| ACP3P9-4 | 6 wires | 120 mm ² 2-2/0 welding single cond. | ACP3P9GW | ACP3R9 |



GENERAL

- 4,5,6 wire , high impact resistance, rubber external power connector.
- 3 PIN NATO AN2551 external power connector for 12V / 24V or 28VDC application
- split control switch contact..
- 2 x 2 (or 1 x 2) main wires configuration
- Mates with AN2552 receptacle.
- Silver plated contacts.
- Special cable sizes and configurations on request.
- Optional leds / switches / Aux switch.

PROPERTIES

450 A continuous , 1500 A for 1 minute, control contact 35 A continuous.

Mates with the aircraftplugs AN2552-3A external power receptacle.

Performance and dimensions to ISO 461 (BS4G173:1985) and appropriate MOD (Air) and NSN Standards.

Cable assemblies to client requirements available.

Max. wire 120mm² or 4/0 AWG 250 MCM.

Stainless steel screws.

PARTNUMBERS

| PLUG PART | Configuration | CABLE section | GRUMMET | RECEPTACLE |
|------------|-----------------------------|--|----------|------------|
| ACP3P1-4-C | 2 wires (optional 4,5 or 6) | 8mm ² #8/2 | ACP3P1GW | ACP3R1 |
| ACP3P2-4-C | 2 wires (optional 4,5 or 6) | 35mm ² 2-1/0 | ACP3P2GW | ACP3R2 |
| ACP3P3-4-C | 2 wires (optional 4,5 or 6) | 50 mm ² 2-1/0 | ACP3P3GW | ACP3R3 |
| ACP3P4-4-C | 2 wires (optional 4,5 or 6) | 70 mm ² 2-2/0 single conductor | ACP3P4GW | ACP3R4 |
| ACP3P5-4-C | 2 wires (optional 4,5 or 6) | 70 mm ² 2-2/0 | ACP3P5GW | ACP3R5 |
| ACP3P6-4-C | 2 wires (optional 4,5 or 6) | 90 mm ² 2-3/0 | ACP3P6GW | ACP3R6 |
| ACP3P7-4-C | 2 wires (optional 4,5 or 6) | 120 mm ² 2-4/0 single conductor | ACP3P7GW | ACP3R7 |
| ACP3P8-4-C | 2 wires (optional 4,5 or 6) | 120 mm ² 2-4/0 oval twin conductor | ACP3P8GW | ACP3R8 |
| ACP3P9-4-C | 2 wires (optional 4,5 or 6) | 120 mm ² 2-2/0 welding single cond. | ACP3P9GW | ACP3R9 |



GENERAL - ADVANTAGES

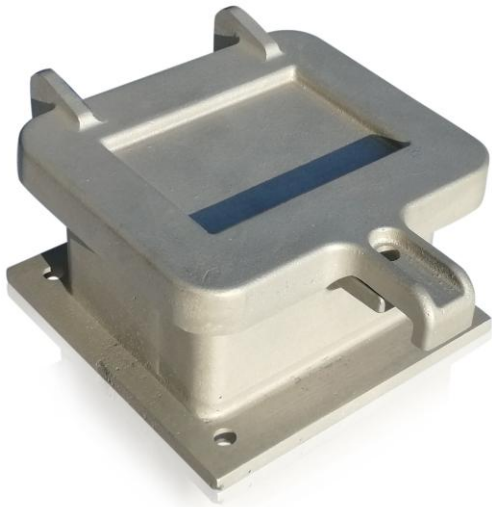
- 400 hz – 115V , high impact resistance, rubber external power connector, worldwide in use.
- MS25486
- Silver plated contacts, pure copper.
- MS tolerances.
- Fits with the MS receptacle.
- Special cable sizes and configurations on request.
- 450 A continuous , 1500 A for 1 minute, control contact 35 A continuous.
- Performance and dimensions to ISO 461 (BS4G173:1985) and appropriate MOD (Air) and NSN Standards.
- Cable assemblies to client requirements available.
- Max. wire 120mm² or 4/0 AWG 250 MCM.
- Stainless steel screws.

PARTNUMBERS

| PLUG PART | Mil Part No. | CABLE section | GRUMMET | RECEPTACLE |
|-----------|--------------|---|----------|------------|
| ACP6P1 | - | 15mm ² #4/6 , 2 x 3mm 12/2 aux | ACP3P1GW | ACP6R1 |
| ACP6P2 | - | 20mm ² #4/6 , 2 x 3mm 12/2 aux | ACP3P2GW | ACP6R2 |
| ACP6P2 | - | 20mm ² #6/4 , 1 1/0 50mm 6x1 composite | ACP3P3GW | ACP6R3 |
| ACP6P4 | - | 25 mm ² 3#3 single mult conductor | ACP3P4GW | ACP6R4 |
| ACP6P5 | - | 35 mm ² 4#2 mult conductor | ACP3P5GW | ACP6R5 |
| ACP6P6 | MS25486-10 | 50 mm ² 4-1/0 Mil C-5756C single. Cond. | ACP3P6GW | ACP6R6 |
| ACP6P7 | MS25486-10 | 50 mm ² 4-1/0 Mil C-5756C single. Cond.+2x3 mm | ACP3P7GW | ACP6R7 |
| ACP6P8 | - | 70 mm ² | ACP3P8GW | ACP6R8 |
| ACP6P9 | - | 90 mm ² 2-2/0 welding single cond. | ACP3P9GW | ACP6R9 |
| ACP6P10 | - | 120mm ² #4/6 , 2 x 3mm 12/2 aux | ACP3P9GW | ACP6R10 |
| ACP6P11 | - | With 41 mm multi. Conductor | ACP3P9GW | ACP6R11 |
| ACP6P12 | - | With 39 mm multi conductor | ACP3P9GW | ACP6R12 |


PARTNUMBERS

| PLUG PART | Mil Part No. | CABLE section |
|-----------|--------------|---|
| ACP6KIT1 | - | 15mm ² #4/6 , 2 x 3mm 12/2 aux |
| ACP6KIT2 | - | 20mm ² #4/6 , 2 x 3mm 12/2 aux |
| ACP6KIT2 | - | 20mm ² #6/4 , 1 1/0 50mm 6x1 composite |
| ACP6KIT3 | - | 25 mm ² 3#3 single mult conductor |
| ACP6KIT4 | - | 35 mm ² 4#2 mult conductor |
| ACP6KIT5 | MS25486-10 | 50 mm ² 4-1/0 Mil C-5756C single. Cond. |
| ACP6KIT6 | MS25486-10 | 50 mm ² 4-1/0 Mil C-5756C single. Cond.+2x3 mm |
| ACP6KIT7 | - | 70 mm ² |
| ACP6KIT8 | - | 90 mm ² 2-2/0 welding single cond. |
| ACP6KIT9 | - | 120mm ² #4/6 , 2 x 3mm 12/2 aux |
| ACP6KIT10 | - | With 41 mm multi. Conductor |
| ACP6KIT11 | - | With 39 mm multi conductor |



400 Hz receptacles – IP54 Mounting Boxes - ADVANTAGES

- Aluminium mounting boxes – no weldings – quality aluminium casted boxes.
- Powder coated in your color optional.
- Silver plated contacts, pure copper.
- MS tolerances.
- Fits with the MS receptacle.
- Special cable sizes and configurations on request.
- 450 A continuous , 1500 A for 1 minute, control contact 35 A continuous.
- Performance and dimensions to ISO 461 (BS4G173:1985) and appropriate MOD (Air) and NSN Standards.
- Cable assemblies to client requirements available.
- Max. wire 120mm² or 4/0 AWG 250 MCM.
- Stainless steel screws.

PARTNUMBERS

| PLUG PART | Description |
|-----------|---------------------------------|
| ACP-JB-1 | Receptacle 28VDC |
| ACP-JB-2 | Connector 28VDC |
| ACP-JB-3 | Receptacle 115V / 400 Hz |
| ACP-JB-4 | Connector 115V / 400 Hz |
| ACP-JB-5 | Receptacle 115V / 400 Hz Green |
| ACP-JB-6 | Receptacle 115V / 400 Hz Yellow |





GENERAL - ADVANTAGES

- 400 hz – 115V , high impact resistance, rubber external power connector, worldwide in use.
- MS25486
- Silver plated contacts, pure copper.
- MS tolerances.
- Fits with the MS receptacle.
- Special cable sizes and configurations on request.
- 450 A continuous , 1500 A for 1 minute, control contact 35 A continuous.
- Performance and dimensions to ISO 461 (BS4G173:1985) and appropriate MOD (Air) and NSN Standards.
- Cable assemblies to client requirements available.
- Max. wire 120mm² or 4/0 AWG 250 MCM.
- Stainless steel screws.

PARTNUMBERS

| PLUG PART | Mil Part No. | CABLE section | GRUMMET | RECEPTACLE |
|-----------|--------------|---|-----------|------------|
| ACP6P1R | - | 15mm ² #4/6 , 2 x 3mm 12/2 aux | ACP3P1GWR | ACP6R1 |
| ACP6P2R | - | 20mm ² #4/6 , 2 x 3mm 12/2 aux | ACP3P2GWR | ACP6R2 |
| ACP6P2R | - | 20mm ² #6/4 , 1 1/0 50mm 6x1 composite | ACP3P3GWR | ACP6R3 |
| ACP6P4R | - | 25 mm ² 3#3 single mult conductor | ACP3P4GWR | ACP6R4 |
| ACP6P5R | - | 35 mm ² 4#2 mult conductor | ACP3P5GWR | ACP6R5 |
| ACP6P6R | MS25486-10 | 50 mm ² 4-1/0 Mil C-5756C single. Cond. | ACP3P6GWR | ACP6R6 |
| ACP6P7R | MS25486-10 | 50 mm ² 4-1/0 Mil C-5756C single. Cond.+2x3 mm | ACP3P7GWR | ACP6R7 |
| ACP6P8R | - | 70 mm ² | ACP3P8GWR | ACP6R8 |
| ACP6P9R | - | 90 mm ² 2-2/0 welding single cond. | ACP3P9GWR | ACP6R9 |
| ACP6P10R | - | 120mm ² #4/6 , 2 x 3mm 12/2 aux | ACP3P9GWR | ACP6R10 |
| ACP6P11 | - | With 41 mm multi. Conductor | ACP3P9GW | ACP6R11 |
| ACP6P12 | - | With 39 mm multi conductor | ACP3P9GW | ACP6R12 |





GENERAL - ADVANTAGES

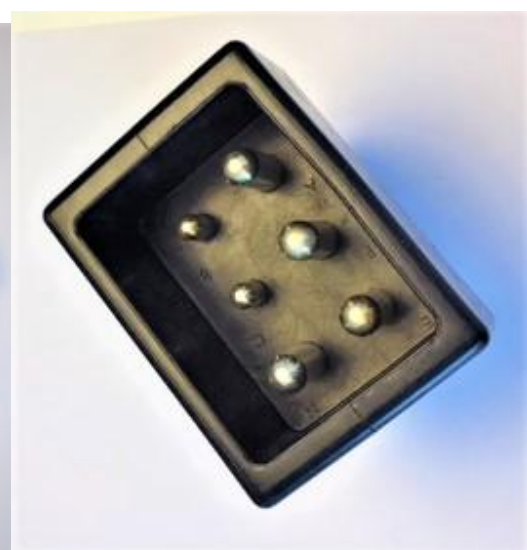
- 400 hz – 115V , high impact resistance, rubber external power connector, worldwide in use.
- MS25486
- Silver plated contacts, pure copper.
- MS tolerances.
- Fits with the MS receptacle.
- Special cable sizes and configurations on request.
- 450 A continuous , 1500 A for 1 minute, control contact 35 A continuous.
- Performance and dimensions to ISO 461 (BS4G173:1985) and appropriate MOD (Air) and NSN Standards.
- Cable assemblies to client requirements available.
- Max. wire 120mm² or 4/0 AWG 250 MCM.
- Stainless steel screws.

PARTNUMBERS

| PLUG PART | Mil Part No. | CABLE section | GRUMMET | RECEPTACLE |
|-----------|--------------|---|-----------|------------|
| ACP6P1R | - | 15mm ² #4/6 , 2 x 3mm 12/2 aux | ACP3P1GWR | ACP6R1 |
| ACP6P2R | - | 20mm ² #4/6 , 2 x 3mm 12/2 aux | ACP3P2GWR | ACP6R2 |
| ACP6P2R | - | 20mm ² #6/4 , 1 1/0 50mm 6x1 composite | ACP3P3GWR | ACP6R3 |
| ACP6P4R | - | 25 mm ² 3#3 single multiconductor | ACP3P4GWR | ACP6R4 |
| ACP6P5R | - | 35 mm ² 4#2 multiconductor | ACP3P5GWR | ACP6R5 |
| ACP6P6R | MS25486-10 | 50 mm ² 4-1/0 Mil C-5756C single. Cond. | ACP3P6GWR | ACP6R6 |
| ACP6P7R | MS25486-10 | 50 mm ² 4-1/0 Mil C-5756C single. Cond.+2x3 mm | ACP3P7GWR | ACP6R7 |
| ACP6P8R | - | 70 mm ² | ACP3P8GWR | ACP6R8 |
| ACP6P9R | - | 90 mm ² 2-2/0 welding single cond. | ACP3P9GWR | ACP6R9 |
| ACP6P10R | - | 120mm ² #4/6 , 2 x 3mm 12/2 aux | ACP3P9GWR | ACP6R10 |
| ACP6P11 | - | With 41 mm multi. Conductor | ACP3P9GW | ACP6R11 |
| ACP6P12 | - | With 39 mm multi conductor | ACP3P9GW | ACP6R12 |



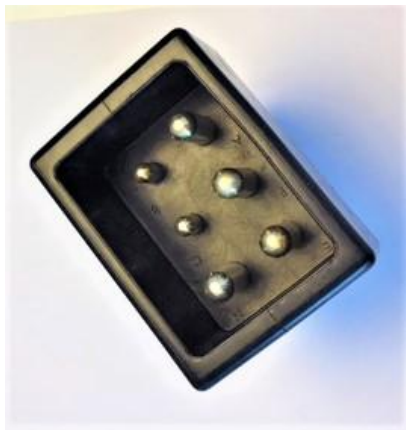
P/N ACPG200 SERIES


GENERAL - ADVANTAGES

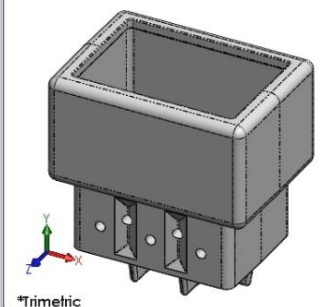
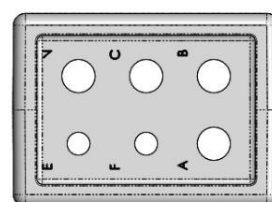
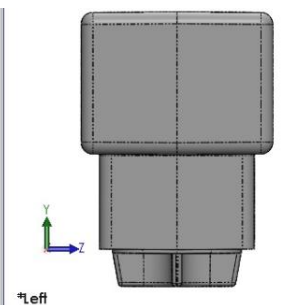
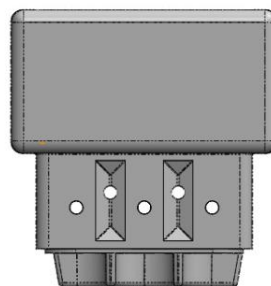
- 400 hz – 115V , high impact resistance, rubber external power connector.
- Silver plated contacts, pure copper. (replaceable).
- Replaceable, durable, none glue type head. MS tolerances.
- Fits with the MS25486 connector
- Special cable sizes and configurations on request. (Tailor made grummets available.)
- 450 A continuous , 1500 A for 1 minute, control contact 35 A continuous.
- Performance and dimensions to ISO 461 (BS4G173:1985) and appropriate MOD (Air) and NSN Standards.
- Cable assemblies to client requirements available.
- Max. wire 120mm² or 4/0 AWG 250 MCM.
- Stainless steel screws.
- Different rubbers available on request. (minimum qty required.)

PARTNUMBERS

| PLUG PART | Mil Part No. | CABLE section | GRUMMET | RECEPTACLE |
|-----------|--------------|---|----------|------------|
| - | - | 15mm ² #4/6 , 2 x 3mm 12/2 aux | ACP3P1GW | ACPGR1 |
| - | - | 20mm ² #4/6 , 2 x 3mm 12/2 aux | ACP3P2GW | ACPGR2 |
| - | - | 20mm ² #6/4 , 1 1/0 50mm 6x1 composite | ACP3P3GW | ACPGR3 |
| - | - | 25 mm ² 3#3 single mulit conductor | ACP3P4GW | ACPGR4 |
| - | - | 35 mm ² 4#2 mulit conductor | ACP3P5GW | ACPGR5 |
| - | MS25486-10 | 50 mm ² 4-1/0 Mil C-5756C single. Cond. | ACP3P6GW | ACPGR6 |
| - | MS25486-10 | 50 mm ² 4-1/0 Mil C-5756C single. Cond.+2x3 mm | ACP3P7GW | ACPGR7 |
| - | - | 70 mm ² | ACP3P8GW | ACPGR8 |
| - | 4 wires | 90 mm ² 2-2/0 welding single cond. | ACP3P9GW | ACPGR9 |
| - | | 120mm ² #4/6 , 2 x 3mm 12/2 aux | ACP3P9GW | ACPGR10 |
| - | | With 41 mm multi. Conductor | ACP3P9GW | ACPGR11 |
| - | | With 39 mm multi conductor | ACP3P9GW | ACPGR12 |



| Part | P/N |
|--------------------------------------|----------|
| Receptacle rubber front | ACPG200F |
| Aux contact | ACPG200A |
| Locking pins | ACPG200L |
| Side rubber | ACPG200S |
| Male main contact 120mm ² | ACPG200R |
| Male main contact 90mm ² | ACPG200T |
| Male main contact 70mm ² | ACPG200U |
| Male main contact 35mm ² | ACPG200V |




GENERAL - ADVANTAGES

- ACPG200 SERIES is new version of the ACP6R
- 400 hz – 115V , high impact resistance, rubber external power connector.
- Silver plated contacts, pure copper.
- MS tolerances.
- Fits with the MS25486 connector
- Special cable sizes and configurations on request. (Tailor made grummets available.)
- 450 A continuous , 1500 A for 1 minute, control contact 35 A continuous.
- Performance and dimensions to ISO 461 (BS4G173:1985) and appropriate MOD (Air) and NSN Standards.
- Cable assemblies to client requirements available.
- Max. wire 120mm² or 4/0 AWG 250 MCM.
- Stainless steel screws.
- Different rubbers available on request. (minimum qty required.)

PARTNUMBERS

| PLUG PART | Mil Part No. | CABLE section | GRUMMET | RECEPTACLE |
|-----------|--------------|---|----------|------------|
| ACP6P1 | - | 15mm ² #4/6 , 2 x 3mm 12/2 aux | ACP3P1GW | ACP6R1 |
| ACP6P2 | - | 20mm ² #4/6 , 2 x 3mm 12/2 aux | ACP3P2GW | ACP6R2 |
| ACP6P2 | - | 20mm ² #6/4 , 1 1/0 50mm 6x1 composite | ACP3P3GW | ACP6R3 |
| ACP6P4 | - | 25 mm ² 3#3 single mult conductor | ACP3P4GW | ACP6R4 |
| ACP6P5 | - | 35 mm ² 4#2 mult conductor | ACP3P5GW | ACP6R5 |
| ACP6P6 | MS25486-10 | 50 mm ² 4-1/0 Mil C-5756C single. Cond. | ACP3P6GW | ACP6R6 |
| ACP6P7 | MS25486-10 | 50 mm ² 4-1/0 Mil C-5756C single. Cond.+2x3 mm | ACP3P7GW | ACP6R7 |
| ACP6P8 | - | 70 mm ² | ACP3P8GW | ACP6R8 |
| ACP6P9 | 4 wires | 90 mm ² 2-2/0 welding single cond. | ACP3P9GW | ACP6R9 |
| ACP6P10 | | 120mm ² #4/6 , 2 x 3mm 12/2 aux | ACP3P9GW | ACP6R10 |
| ACP6P11 | | With 41 mm multi. Conductor | ACP3P9GW | ACP6R11 |
| ACP6P12 | | With 39 mm multi conductor | ACP3P9GW | ACP6R12 |



GENERAL - ADVANTAGES

- 400 hz – 115V , high impact resistance, rubber external power connector.
- Silver plated contacts, pure copper.
- MS tolerances.
- None Glue type receptacle – main body P/N ACP400
- Special cable sizes and configurations on request. (Tailor made grummetts available.)
- 450 A continuous , 1500 A for 1 minute, control contact 35 A continuous.
- Performance and dimensions to ISO 461 (BS4G173:1985) and appropriate MOD (Air) and NSN Standards.
- Cable assemblies to client requirements available.
- Max. wire 120mm² or 4/0 AWG 250 MCM.
- Stainless steel screws.
- Different rubbers available on request. (minimum qty required.)

PARTNUMBERS

| CABLE section | GRUMMET | RECEPTACLE | Front section |
|---|-----------|------------|---------------|
| 15mm ² #4/6 , 2 x 3mm 12/2 aux | ACP3P1GWR | ACPG6R1R | ACPRH |
| 20mm ² #4/6 , 2 x 3mm 12/2 aux | ACP3P2GWR | ACP6GR2R | ACPRH |
| 20mm ² #6/4 , 1 1/0 50mm 6x1 composite | ACP3P3GWR | ACP6GR3R | ACPRH |
| 25 mm ² 3#3 single mult conductor | ACP3P4GWR | ACP6GR4R | ACPRH |
| 35 mm ² 4#2 mult conductor | ACP3P5GWR | ACP6GR5R | ACPRH |
| 50 mm ² 4-1/0 Mil C-5756C single. Cond. | ACP3P6GWR | ACP6GR6R | ACPRH |
| 50 mm ² 4-1/0 Mil C-5756C single. Cond.+2x3 mm | ACP3P7GWR | ACP6GR7R | ACPRH |
| 70 mm ² | ACP3P8GWR | ACP6GR8R | ACPRH |
| 90 mm ² 2-2/0 welding single cond. | ACP3P9GWR | ACP6GR9R | ACPRH |
| 120mm ² #4/6 , 2 x 3mm 12/2 aux | ACP3P9GWR | ACP6GR10R | ACPRH |
| With 41 mm multi. Conductor | ACP3P9GWR | ACP6GR11R | ACPRH |
| With 39 mm multi conductor | ACP3P9GWR | ACP6GR12R | ACPRH |



PARTNUMBERS

| CABLE section | GRUMMET | RECEPTACLE | Front section |
|---|-----------|------------|---------------|
| 15mm ² #4/6 , 2 x 3mm 12/2 aux | ACP3P1GWR | ACPG6R1R | ACPRH |
| 20mm ² #4/6 , 2 x 3mm 12/2 aux | ACP3P2GWR | ACP6GR2R | ACPRH |
| 20mm ² #6/4 , 1 1/0 50mm 6x1 composite | ACP3P3GWR | ACP6GR3R | ACPRH |
| 25 mm ² 3#3 single mult conductor | ACP3P4GWR | ACP6GR4R | ACPRH |
| 35 mm ² 4#2 mult conductor | ACP3P5GWR | ACP6GR5R | ACPRH |
| 50 mm ² 4-1/0 Mil C-5756C single. Cond. | ACP3P6GWR | ACP6GR6R | ACPRH |
| 50 mm ² 4-1/0 Mil C-5756C single. Cond.+2x3 mm | ACP3P7GWR | ACP6GR7R | ACPRH |
| 70 mm ² | ACP3P8GWR | ACP6GR8R | ACPRH |
| 90 mm ² 2-2/0 welding single cond. | ACP3P9GWR | ACP6GR9R | ACPRH |
| 120mm ² #4/6 , 2 x 3mm 12/2 aux | ACP3P9GWR | ACP6GR10R | ACPRH |
| With 41 mm multi. Conductor | ACP3P9GWR | ACP6GR11R | ACPRH |
| With 39 mm multi conductor | ACP3P9GWR | ACP6GR12R | ACPRH |



PARTNUMBERS

- 400 hz – 115V , high impact resistance, rubber external power connector.
- Silver plated contacts, pure copper.
- MS tolerances.
- None Glue type receptacle – main body P/N ACP400
- Special cable sizes and configurations on request. (Tailor made grummets available.)
- 450 A continuous , 1500 A for 1 minute, control contact 35 A continuous.
- Performance and dimensions to ISO 461 (BS4G173:1985) and appropriate MOD (Air) and NSN Standards.
- Cable assemblies to client requirements available.
- Max. wire 120mm² or 4/0 AWG 250 MCM.
- Stainless steel screws.
- Different rubbers available on request. (minimum qty required.)



PARTNUMBERS

- 400 hz – 115V , high impact resistance, rubber external power connector.
- Silver plated contacts, pure copper.
- MS tolerances.
- None Glue type receptacle – main body P/N ACP400
- Special cable sizes and configurations on request. (Tailor made grummets available.)
- 450 A continuous , 1500 A for 1 minute, control contact 35 A continuous.
- Performance and dimensions to ISO 461 (BS4G173:1985) and appropriate MOD (Air) and NSN Standards.
- Cable assemblies to client requirements available.
- Max. wire 120mm² or 4/0 AWG 250 MCM.
- Stainless steel screws.
- Different rubbers available on request. (minimum qty required.)



PARTNUMBERS

| CABLE section | GRUMMET | SOCKET | Front section |
|---|-----------|----------|---------------|
| 15mm ² #4/6 , 2 x 3mm 12/2 aux | ACP3P1GWR | ACP6R1N | ACPRN |
| 20mm ² #4/6 , 2 x 3mm 12/2 aux | ACP3P2GWR | ACP6R2N | ACPRN |
| 20mm ² #6/4 , 1 1/0 50mm 6x1 composite | ACP3P3GWR | ACP6R3N | ACPRN |
| 25 mm ² 3#3 single mult conductor | ACP3P4GWR | ACP6R4N | ACPRN |
| 35 mm ² 4#2 mult conductor | ACP3P5GWR | ACP6R5N | ACPRN |
| 50 mm ² 4-1/0 Mil C-5756C single. Cond. | ACP3P6GWR | ACP6R6N | ACPRN |
| 50 mm ² 4-1/0 Mil C-5756C single. Cond.+2x3 mm | ACP3P7GWR | ACP6R7N | ACPRN |
| 70 mm ² | ACP3P8GWR | ACP6R8N | ACPRN |
| 90 mm ² 2-2/0 welding single cond. | ACP3P9GWR | ACP6R9N | ACPRN |
| 120mm ² #4/6 , 2 x 3mm 12/2 aux | ACP3P9GWR | ACP6R10N | ACPRN |
| With 41 mm multi. Conductor | ACP3P9GWR | ACP6R11N | ACPRN |
| With 39 mm multi conductor | ACP3P9GWR | ACP6R12N | ACPRN |



*6 Poles 115 V 400 Hz
Replaceable FRONT HEAD.*

PARTNUMBERS

| CABLE section | GRUMMET | SOCKET | Front section |
|---|-----------|----------|---------------|
| 15mm ² #4/6 , 2 x 3mm 12/2 aux | ACP3P1GWR | ACP6R1N | ACPRN |
| 20mm ² #4/6 , 2 x 3mm 12/2 aux | ACP3P2GWR | ACP6R2N | ACPRN |
| 20mm ² #6/4 , 1 1/0 50mm 6x1 composite | ACP3P3GWR | ACP6R3N | ACPRN |
| 25 mm ² 3#3 single mult conductor | ACP3P4GWR | ACP6R4N | ACPRN |
| 35 mm ² 4#2 mult conductor | ACP3P5GWR | ACP6R5N | ACPRN |
| 50 mm ² 4-1/0 Mil C-5756C single. Cond. | ACP3P6GWR | ACP6R6N | ACPRN |
| 50 mm ² 4-1/0 Mil C-5756C single. Cond.+2x3 mm | ACP3P7GWR | ACP6R7N | ACPRN |
| 70 mm ² | ACP3P8GWR | ACP6R8N | ACPRN |
| 90 mm ² 2-2/0 welding single cond. | ACP3P9GWR | ACP6R9N | ACPRN |
| 120mm ² #4/6 , 2 x 3mm 12/2 aux | ACP3P9GWR | ACP6R10N | ACPRN |
| With 41 mm multi. Conductor | ACP3P9GWR | ACP6R11N | ACPRN |
| With 39 mm multi conductor | ACP3P9GWR | ACP6R12N | ACPRN |



SPECS

- 400 hz – 115V , high impact resistance, rubber external power connector.
- Silver plated contacts, pure copper. Individual tubes/pins can be replaced.
- MS tolerances. Available with detachable front nose sections
- Special cable sizes and configurations on request. (Tailor made grummetts available.)
- 450 A continuous , 1500 A for 1 minute, control contact 35 A continuous.
- Performance and dimensions to ISO 461 (BS4G173:1985) and appropriate MOD (Air) and NSN Standards.
- Cable assemblies to client requirements available.
- Max. wire 120mm² or 4/0 AWG 250 MCM.
- Stainless steel screws.
- Available with 90% insertion microswitch.
- Suitable for a wide range of cable sizes
- Crimped or soldered contacts.
- Modular design to ensure ease of maintenance

PARTNUMBERS

| CABLE section | GRUMMET | SOCKET | Front section |
|---|-----------|----------|---------------|
| 15mm ² #4/6 , 2 x 3mm 12/2 aux | ACP3P1GWR | ACP6R1N | ACPRN |
| 20mm ² #4/6 , 2 x 3mm 12/2 aux | ACP3P2GWR | ACP6R2N | ACPRN |
| 20mm ² #6/4 , 1 1/0 50mm 6x1 composite | ACP3P3GWR | ACP6R3N | ACPRN |
| 25 mm ² 3#3 single mult conductor | ACP3P4GWR | ACP6R4N | ACPRN |
| 35 mm ² 4#2 mult conductor | ACP3P5GWR | ACP6R5N | ACPRN |
| 50 mm ² 4-1/0 Mil C-5756C single. Cond. | ACP3P6GWR | ACP6R6N | ACPRN |
| 50 mm ² 4-1/0 Mil C-5756C single. Cond.+2x3 mm | ACP3P7GWR | ACP6R7N | ACPRN |
| 70 mm ² | ACP3P8GWR | ACP6R8N | ACPRN |
| 90 mm ² 2-2/0 welding single cond. | ACP3P9GWR | ACP6R9N | ACPRN |
| 120mm ² #4/6 , 2 x 3mm 12/2 aux | ACP3P9GWR | ACP6R10N | ACPRN |
| With 41 mm multi. Conductor | ACP3P9GWR | ACP6R11N | ACPRN |
| With 39 mm multi conductor | ACP3P9GWR | ACP6R12N | ACPRN |

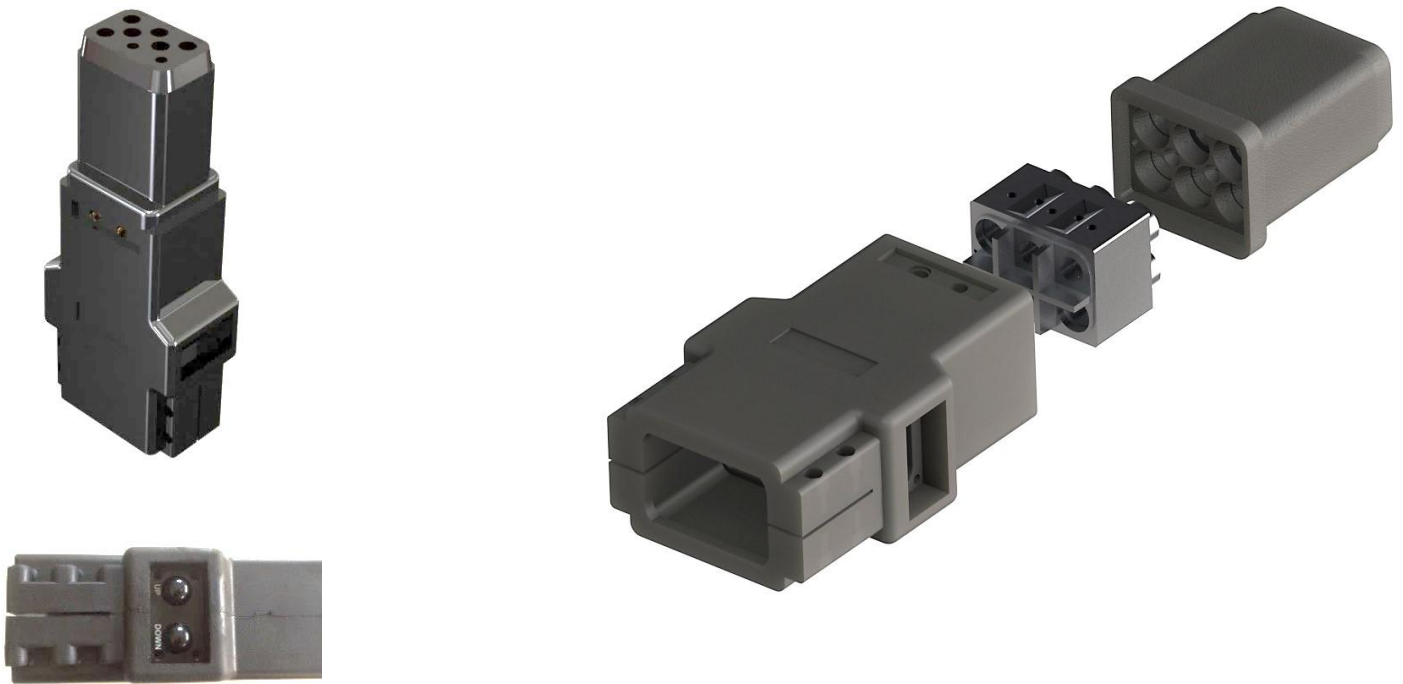
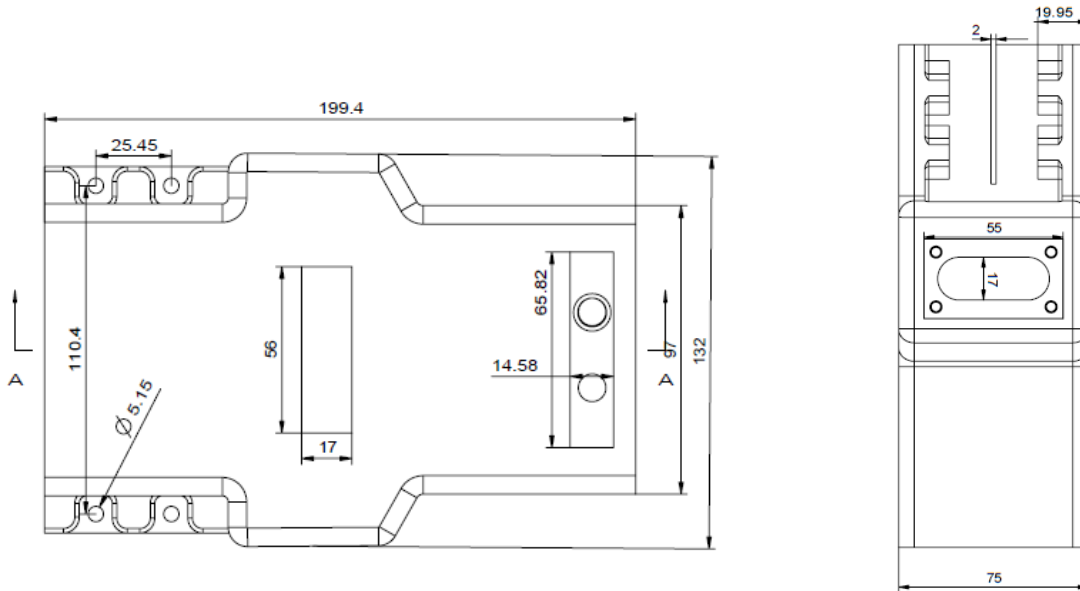


- 400 hz – 115V , high impact resistance, rubber external power connector.
- Silver plated contacts, pure copper.
- MS tolerances.
- Special cable sizes and configurations on request. (Tailor made grummets available.)
- 450 A continuous , 1500 A for 1 minute, control contact 35 A continuous.
- Performance and dimensions to ISO 461 (BS4G173:1985) and appropriate MOD (Air) and NSN Standards.
- Cable assemblies to client requirements available.
- Max. wire 120mm² or 4/0 AWG 250 MCM.
- Stainless steel screws.
- Different rubbers available on request. (minimum qty required.)



PARTNUMBERS

| CABLE section | GRUMMET | SOCKET | Front section |
|---|-----------|-----------|---------------|
| 15mm ² #4/6 , 2 x 3mm 12/2 aux | ACP3P1GWR | ACP6R1HN | ACPHN |
| 20mm ² #4/6 , 2 x 3mm 12/2 aux | ACP3P2GWR | ACP6R2HN | ACPHH |
| 20mm ² #6/4 , 1 1/0 50mm 6x1 composite | ACP3P3GWR | ACP6R3HN | ACPHN |
| 25 mm ² 3#3 single mulit conductor | ACP3P4GWR | ACP6R4HN | ACPHN |
| 35 mm ² 4#2 mulit conductor | ACP3P5GWR | ACP6R5HN | ACPHN |
| 50 mm ² 4-1/0 Mil C-5756C single. Cond. | ACP3P6GWR | ACP6R6HN | ACPHN |
| 50 mm ² 4-1/0 Mil C-5756C single. Cond.+2x3 mm | ACP3P7GWR | ACP6R7HN | ACPHN |
| 70 mm ² | ACP3P8GWR | ACP6R8HN | ACPHN |
| 90 mm ² 2-2/0 welding single cond. | ACP3P9GWR | ACP6R9HN | ACPHN |
| 120mm ² #4/6 , 2 x 3mm 12/2 aux | ACP3P9GWR | ACP6R10HN | ACPHN |
| With 41 mm multi. Conductor | ACP3P9GWR | ACP6R11HN | ACPHN |
| With 39 mm multi conductor | ACP3P9GWR | ACP6R12HN | ACPHN |


DIMENSIONS

TECHNICAL DATE (Cont. On next page)

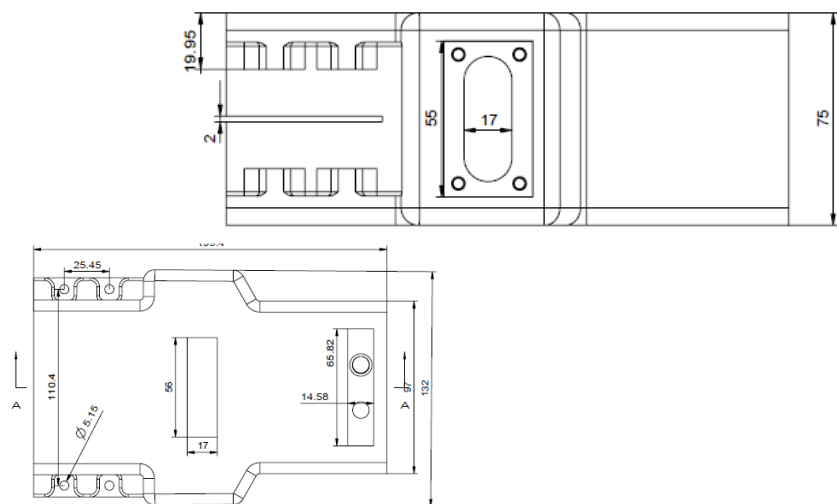
- Made in Belgium, with quality rubber.
- Modular connector.
- Different switch and LEDs configurations, 90% insert switch available.
- Own company logos available.

See next page



DIFFERENT CONFIGURATIONS

- UP / DOWN switches
- ON / OFF switches
- Thermal control
- LED's



with removable nose section

ADVANTAGES

- high impact resistance, rubber external power connector.
- Modular design
- Customizable integrated LED and push-button units can be easily replaced
- 90% insert switch.
- Optional thermal nose protection.
- Special cable sizes and configurations on request.
- replacement connectors which allow the user to replace a worn cable head in the field maximizing the life of your 400Hz power cables
- Performance and dimensions to ISO 461 (BS4G173:1985) and appropriate MOD (Air) and NSN Standards.
- Cable assemblies to client requirements available.
- Max. wire 120mm² or 4/0 AWG .
- Stainless steel screws.

PARTNUMBERS

| PLUG PART | Mil Part No. | CABLE section | GRUMMET | RECEPTACLE |
|-----------|--------------|---|----------|------------|
| ACP6P1G | - | 15mm ² #4/6 , 2 x 3mm 12/2 aux | ACP3P1GG | ACP6R1 |
| ACP6P2G | - | 20mm ² #4/6 , 2 x 3mm 12/2 aux | ACP3P2GG | ACP6R2 |
| ACP6P2G | - | 20mm ² #6/4 , 1 1/0 50mm 6x1 composite | ACP3P3GG | ACP6R3 |
| ACP6P4G | - | 25 mm ² 3#3 single mult conductor | ACP3P4GG | ACP6R4 |
| ACP6P5G | - | 35 mm ² 4#2 mult conductor | ACP3P5GG | ACP6R5 |
| ACP6P6G | MS25486-10 | 50 mm ² 4-1/0 Mil C-5756C single. Cond. | ACP3P6GG | ACP6R6 |
| ACP6P7G | MS25486-10 | 50 mm ² 4-1/0 Mil C-5756C single. Cond.+2x3 mm | ACP3P7GG | ACP6R7 |
| ACP6P8G | - | 70 mm ² | ACP3P8GG | ACP6R8 |
| ACP6P9G | - | 90 mm ² 2-2/0 welding single cond. | ACP3P9GG | ACP6R9 |
| ACP6P10G | - | 120mm ² #4/6 , 2 x 3mm 12/2 aux | ACP3P9GG | ACP6R10 |
| ACP6P11G | - | With 41 mm multi. Conductor | ACP3P9GG | ACP6R11 |
| ACP6P12G | - | With 39 mm multi conductor | ACP3P9GG | ACP6R12 |

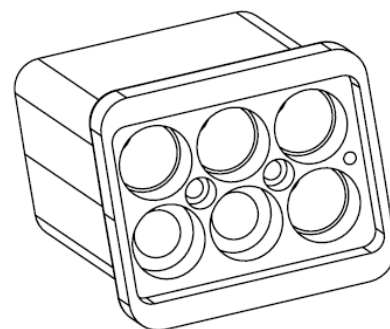
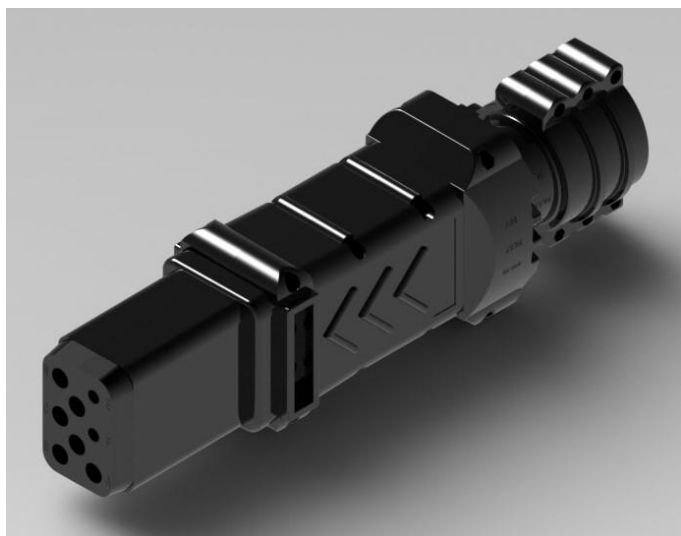

with removable nose section
ADVANTAGES

- high impact resistance, rubber external power connector.
- Modular design
- 95 optional% insert switch.
- Special cable sizes and configurations.
- replacement connectors which allow the user to replace a worn cable head in the field maximizing the life of your 400Hz power cables
- Performance and dimensions to ISO 461 (BS4G173:1985) and appropriate MOD (Air) and NSN Standards.
- Cable assemblies to client requirements available.
- Max. wire 120mm² or 4/0 AWG .
- Stainless steel hardware.
- 450 A continuous , 1500 A for 1 minute, control contact 35 A continuous.
- Mates with the aircraftplugs MS90362 external power receptacle.

PARTNUMBERS

| PLUG PART | Mil Part No. | CABLE section | GRUMMET | RECEPTACLE |
|-----------|--------------|---|----------|------------|
| ACP6J1G | - | 15mm ² #4/6 , 2 x 3mm 12/2 aux | ACP3P1GG | ACP6R1 |
| ACP6J2G | - | 20mm ² #4/6 , 2 x 3mm 12/2 aux | ACP3P2GG | ACP6R2 |
| ACP6J2G | - | 20mm ² #6/4 , 1 1/0 50mm 6x1 composite | ACP3P3GG | ACP6R3 |
| ACP6J4G | - | 25 mm ² 3#3 single mulit conductor | ACP3P4GG | ACP6R4 |
| ACP6J5G | - | 35 mm ² 4#2 mulit conductor | ACP3P5GG | ACP6R5 |
| ACP6PJG | MS25486-10 | 50 mm ² 4-1/0 Mil C-5756C single. Cond. | ACP3P6GG | ACP6R6 |
| ACP6PJ7G | MS25486-10 | 50 mm ² 4-1/0 Mil C-5756C single. Cond.+2x3 mm | ACP3P7GG | ACP6R7 |
| ACP6J8G | - | 70 mm ² | ACP3P8GG | ACP6R8 |
| ACP6J9G | - | 90 mm ² 2-2/0 welding single cond. | ACP3P9GG | ACP6R9 |
| ACP6J10G | - | 120mm ² #4/6 , 2 x 3mm 12/2 aux | ACP3P9GG | ACP6R10 |
| ACP6J11G | - | With 41 mm multi. Conductor | ACP3P9GG | ACP6R11 |
| ACP6J12G | - | With 39 mm multi conductor | ACP3P9GG | ACP6R12 |





GENERAL

- high impact resistance, rubber & polymere external power connector.
- 400 Hz – 115 Volt, optional thermal protection in nose section.
- Solid insert switches.
- Optional temperature control.
- Special cable sizes and configurations on request.
- On / Off Up / Down switch and LED config.
- Modular connector.
- 90% insert switch.

PROPERTIES

450 A continuous , 1500 A for 1 minute, control contact 35 A continuous.

Mates with the aircraftplugs MS90362 external power receptacle.

Performance and dimensions to ISO 461 (BS4G173:1985) and appropriate MOD (Air) and NSN Standards.

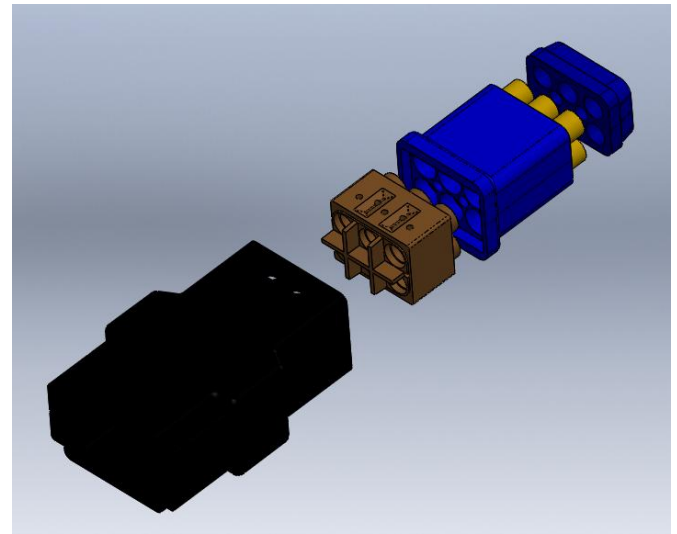
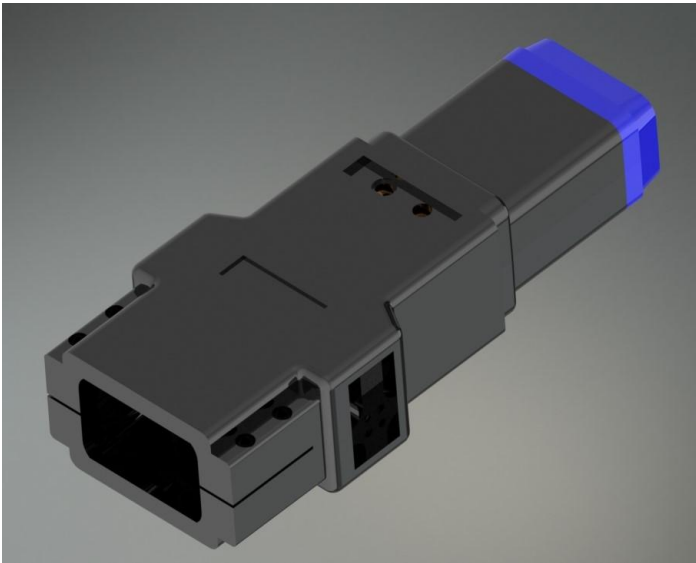
Cable assemblies to client requirements available.

Max. wire 120mm² or 4/0 AWG 250 MCM.

Stainless steel screws.

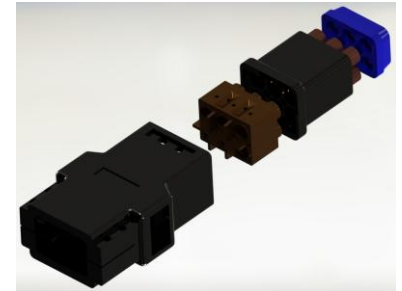
PARTNUMBERS

| PLUG PART | Configuration | CABLE section | GRUMMET | RECEPTACLE |
|------------|-----------------------|--|-----------|------------|
| ACP400-50 | LED / INSERT / ON-OFF | 50mm ² #8/2 | ACP400GW1 | ACP3R1 |
| ACP400-70 | LED / INSERT / ON-OFF | 70mm ² 2-1/0 | ACP400GW2 | ACP3R2 |
| ACP400-90 | LED / INSERT / ON-OFF | 90 mm ² 2-1/0 | ACP400GW3 | ACP3R3 |
| ACP400-120 | LED / INSERT / ON-OFF | 120 mm ² 2-2/0 single conductor | ACP400GW4 | ACP3R4 |



GENERAL

- high impact resistance, rubber & polymere external power connector.
- 400 Hz – 115 Volt, optional thermal protection in nose section.
- Solid insert switches.
- Optional temperature control.
- Special cable sizes and configurations on request.
- On / Off Up / Down switch and LED config.
- Modular connector.
- 90% insert switch.



PROPERTIES

450 A continuous , 1500 A for 1 minute, control contact 35 A continuous.

Mates with the aircraftplugs MS90362 external power receptacle.

Performance and dimensions to ISO 461 (BS4G173:1985) and appropriate MOD (Air) and NSN Standards.

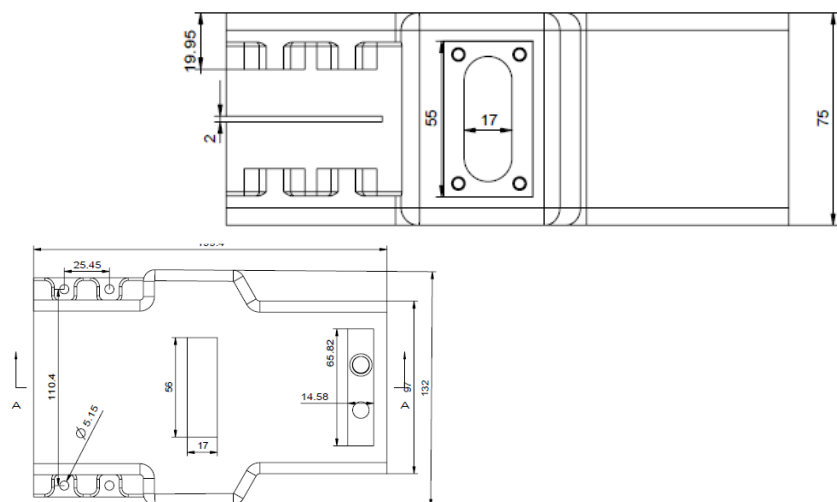
Cable assemblies to client requirements available.

Max. wire 120mm² or 4/0 AWG 250 MCM.

Stainless steel screws.

PARTNUMBERS

| PLUG PART | Configuration | CABLE section | GRUMMET | RECEPTACLE |
|------------|-----------------------|--|-----------|------------|
| ACP500-50 | LED / INSERT / ON-OFF | 50mm ² #8/2 | ACP400GW1 | ACP3R1 |
| ACP500-70 | LED / INSERT / ON-OFF | 70mm ² 2-1/0 | ACP400GW2 | ACP3R2 |
| ACP500-90 | LED / INSERT / ON-OFF | 90 mm ² 2-1/0 | ACP400GW3 | ACP3R3 |
| ACP500-120 | LED / INSERT / ON-OFF | 120 mm ² 2-2/0 single conductor | ACP400GW4 | ACP3R4 |



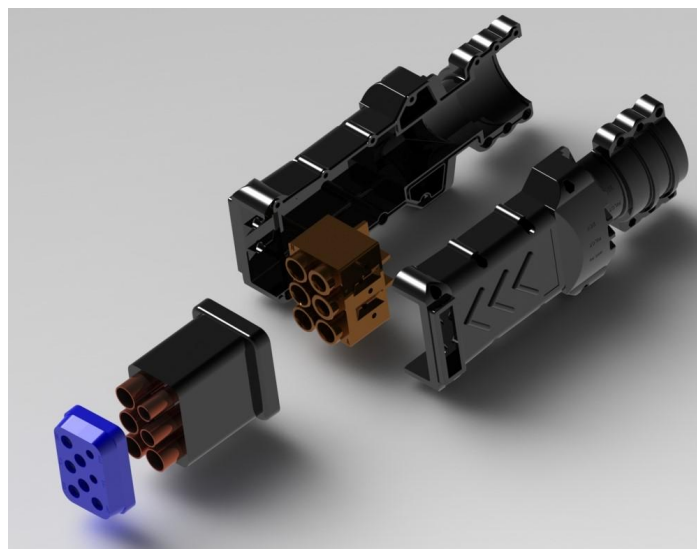
with removable nose section

ADVANTAGES

- 4,5,6 wire , high impact resistance, rubber external power connector.
- 3 PIN NATO AN2551 external power connector for 12V / 24V or 28VDC application
- Modular design
- Customizable integrated LED and push-button units can be easily replaced
- 90% insert switch.
- Optional thermal nose protection.
- Special cable sizes and configurations on request.
- 450 A continuous , 1500 A for 1 minute, control contact 35 A continuous.
- Mates with the aircraftplugs AN2552-3A external power receptacle.
- Performance and dimensions to ISO 461 (BS4G173:1985) and appropriate MOD (Air) and NSN Standards.
- Cable assemblies to client requirements available.
- Max. wire 120mm² or 4/0 AWG 250 MCM.
- Stainless steel screws.

PARTNUMBERS

| PLUG PART | Mil Part No. | CABLE section | GRUMMET | RECEPTACLE |
|-----------|--------------|---|----------|------------|
| ACP6P1G | - | 15mm ² #4/6 , 2 x 3mm 12/2 aux | ACP3P1GG | ACP6R1 |
| ACP6P2G | - | 20mm ² #4/6 , 2 x 3mm 12/2 aux | ACP3P2GG | ACP6R2 |
| ACP6P2G | - | 20mm ² #6/4 , 1 1/0 50mm 6x1 composite | ACP3P3GG | ACP6R3 |
| ACP6P4G | - | 25 mm ² 3#3 single mult conductor | ACP3P4GG | ACP6R4 |
| ACP6P5G | - | 35 mm ² 4#2 mult conductor | ACP3P5GG | ACP6R5 |
| ACP6P6G | MS25486-10 | 50 mm ² 4-1/0 Mil C-5756C single. Cond. | ACP3P6GG | ACP6R6 |
| ACP6P7G | MS25486-10 | 50 mm ² 4-1/0 Mil C-5756C single. Cond.+2x3 mm | ACP3P7GG | ACP6R7 |
| ACP6P8G | - | 70 mm ² | ACP3P8GG | ACP6R8 |
| ACP6P9G | - | 90 mm ² 2-2/0 welding single cond. | ACP3P9GG | ACP6R9 |
| ACP6P10G | - | 120mm ² #4/6 , 2 x 3mm 12/2 aux | ACP3P9GG | ACP6R10 |
| ACP6P11G | - | With 41 mm multi. Conductor | ACP3P9GG | ACP6R11 |
| ACP6P12G | - | With 39 mm multi conductor | ACP3P9GG | ACP6R12 |



GENERAL

- high impact resistance, rubber & polymere external power connector.
- 400 Hz – 115 Volt, optional thermal protection in nose section.
- Solid insert switches.
- Optional temperature control.
- Special cable sizes and configurations on request.
- On / Off Up / Down switch and LED config.
- Modular connector.
- 90% insert switch.

PROPERTIES

450 A continuous , 1500 A for 1 minute, control contact 35 A continuous.

Mates with the aircraftplugs MS90362 external power receptacle.

Performance and dimensions to ISO 461 (BS4G173:1985) and appropriate MOD (Air) and NSN Standards.

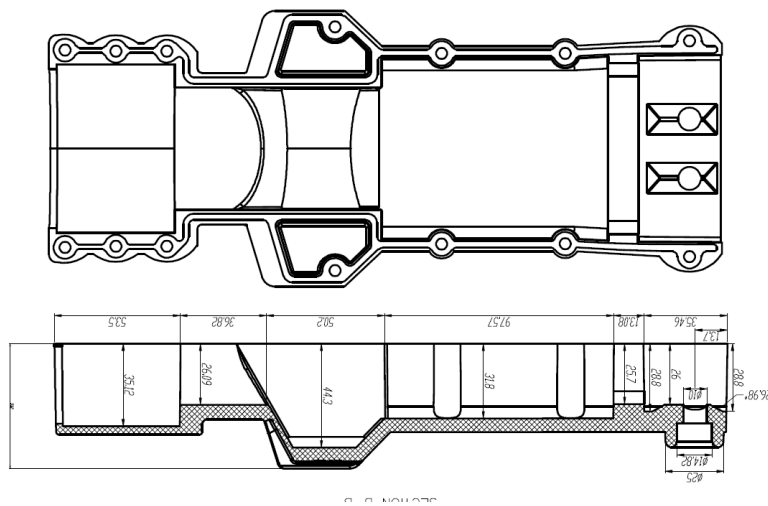
Cable assemblies to client requirements available.

Max. wire 120mm² or 4/0 AWG 250 MCM.

Stainless steel screws.

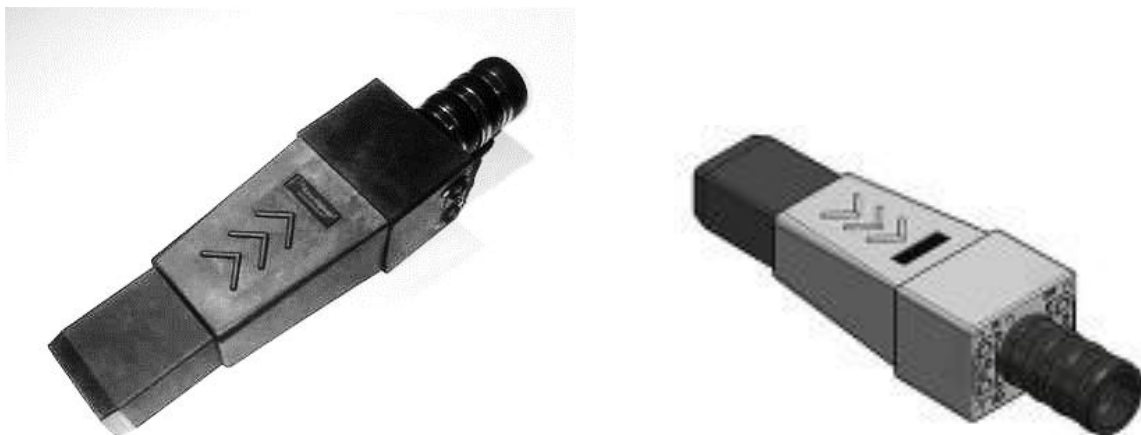
PARTNUMBERS

| PLUG PART | Configuration | CABLE section | GRUMMET | RECEPTACLE |
|------------|-----------------------|--|-----------|------------|
| ACP400-50 | LED / INSERT / ON-OFF | 50mm ² #8/2 | ACP400GW1 | ACP3R1 |
| ACP400-70 | LED / INSERT / ON-OFF | 70mm ² 2-1/0 | ACP400GW2 | ACP3R2 |
| ACP400-90 | LED / INSERT / ON-OFF | 90 mm ² 2-1/0 | ACP400GW3 | ACP3R3 |
| ACP400-120 | LED / INSERT / ON-OFF | 120 mm ² 2-2/0 single conductor | ACP400GW4 | ACP3R4 |


GENERAL

PROPERTIES

450 A continuous , 1500 A for 1 minute, control contact 35 A continuous.
 Mates with the aircraftplugs MS90362 external power receptacle.
 Performance and dimensions to ISO 461 (BS4G173:1985) and appropriate MOD (Air) and NSN Standards.
 Cable assemblies to client requirements available.
 Max. wire 120mm² or 4/0 AWG 250 MCM.
 Stainless steel screws.





GENERAL

- high impact resistance, rubber & polymere external power connector.
- 400 Hz – 115 Volt, optional thermal protection in nose section.
- Solid insert switch. Optional Temp. Protection.
- Special cable sizes and configurations on request.
- On / Off Up / Down switch and LED config.
- Modular connector.

PROPERTIES

450 A continuous , 1500 A for 1 minute, control contact 35 A continuous.

Mates with the aircraftplugs MS90362 external power receptacle.

Performance and dimensions to ISO 461 (BS4G173:1985) and appropriate MOD (Air) and NSN Standards.

Cable assemblies to client requirements available.

Max. wire 120mm² or 4/0 AWG 250 MCM.

Stainless steel screws.

PARTNUMBERS

| PLUG PART | Configuration | CABLE section | GRUMMET | RECEPTACLE |
|------------|-----------------------|--|-----------|------------|
| ACP300-50 | LED / INSERT / ON-OFF | 50mm ² #8/2 | ACP300GW1 | ACP3R1 |
| ACP300-70 | LED / INSERT / ON-OFF | 70mm ² 2-1/0 | ACP300GW2 | ACP3R2 |
| ACP300-90 | LED / INSERT / ON-OFF | 90 mm ² 2-1/0 | ACP300GW3 | ACP3R3 |
| ACP300-120 | LED / INSERT / ON-OFF | 120 mm ² 2-2/0 single conductor | ACP300GW4 | ACP3R4 |



GENERAL

- high impact resistance, rubber & polymere external power connector.
- 400 Hz – 115 Volt, optional thermal protection in nose section.
- Solid insert switch.
- Special cable sizes and configurations on request.
- On / Off Up / Down switch and LED config.
- Modular connector.

PROPERTIES

450 A continuous , 1500 A for 1 minute, control contact 35 A continuous.

Mates with the aircraftplugs MS90362 external power receptacle.

Performance and dimensions to ISO 461 (BS4G173:1985) and appropriate MOD (Air) and NSN Standards.

Cable assemblies to client requirements available.

Max. wire 120mm² or 4/0 AWG 250 MCM.

Stainless steel screws.

PARTNUMBERS

| PLUG PART | Configuration | CABLE section | GRUMMET | RECEPTACLE |
|------------|-----------------------|--|-----------|------------|
| ACP200-50 | LED / INSERT / ON-OFF | 50mm ² #8/2 | ACP200GW1 | ACP3R1 |
| ACP200-70 | LED / INSERT / ON-OFF | 70mm ² 2-1/0 | ACP200GW2 | ACP3R2 |
| ACP200-90 | LED / INSERT / ON-OFF | 90 mm ² 2-1/0 | ACP200GW3 | ACP3R3 |
| ACP200-120 | LED / INSERT / ON-OFF | 120 mm ² 2-2/0 single conductor | ACP200GW4 | ACP3R4 |


GENERAL

- high impact resistance, rubber & polymere external power connector.
- 400 Hz – 115 Volt, optional thermal protection in nose section.
- Solid insert switch.
- Special cable sizes and configurations on request.
- On / Off Up / Down switch and LED config.
- Modular connector.
- 450 A continuous , 1500 A for 1 minute, control contact 35 A continuous.
- Mates with the aircraftplugs MS90362 external power receptacle.
- Performance and dimensions to ISO 461 (BS4G173:1985) and appropriate MOD (Air) and NSN Standards.
- Cable assemblies to client requirements available.
- Max. wire 120mm² or 4/0 AWG 250 MCM.
- Stainless steel screws.

PARTNUMBERS

| PLUG PART | Mil Part No. | CABLE section | GRUMMET | RECEPTACLE |
|-----------|--------------|---|----------|------------|
| ACP6P1 | - | 15mm ² #4/6 , 2 x 3mm 12/2 aux | ACP3P1GW | ACP6R1 |
| ACP6P2 | - | 20mm ² #4/6 , 2 x 3mm 12/2 aux | ACP3P2GW | ACP6R2 |
| ACP6P2 | - | 20mm ² #6/4 , 1 1/0 50mm 6x1 composite | ACP3P3GW | ACP6R3 |
| ACP6P4 | - | 25 mm ² 3#3 single mulit conductor | ACP3P4GW | ACP6R4 |
| ACP6P5 | - | 35 mm ² 4#2 mulit conductor | ACP3P5GW | ACP6R5 |
| ACP6P6 | MS25486-10 | 50 mm ² 4-1/0 Mil C-5756C single. Cond. | ACP3P6GW | ACP6R6 |
| ACP6P7 | MS25486-10 | 50 mm ² 4-1/0 Mil C-5756C single. Cond.+2x3 mm | ACP3P7GW | ACP6R7 |
| ACP6P8 | - | 70 mm ² | ACP3P8GW | ACP6R8 |
| ACP6P9 | - | 90 mm ² 2-2/0 welding single cond. | ACP3P9GW | ACP6R9 |
| ACP6P10 | - | 120mm ² #4/6 , 2 x 3mm 12/2 aux | ACP3P9GW | ACP6R10 |
| ACP6P11 | - | With 41 mm multi. Conductor | ACP3P9GW | ACP6R11 |
| ACP6P12 | - | With 39 mm multi conductor | ACP3P9GW | ACP6R12 |



*Rear Cover
ACPRC400*



*Receptacle
ACPRC50*



*Shield
ACPRC500*



*Shield
ACPRC100*



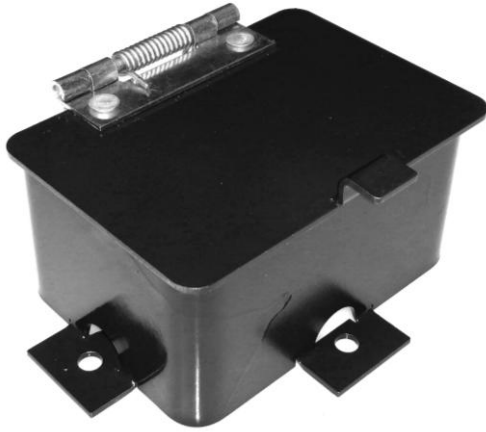
*Snap Cover
ACPRC200*

PROPERTIES

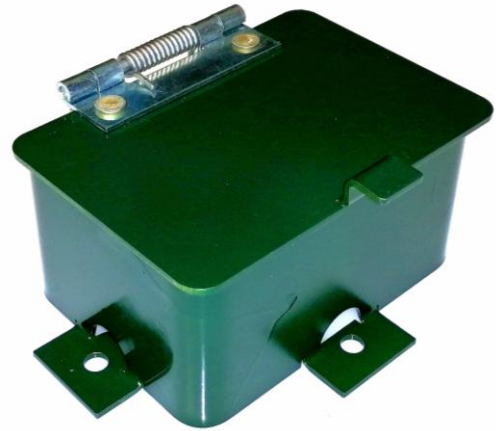
- 6 poles 400 Hz 115V receptacle.
- Meet all the requirements of MIL-C-81790.
- Receptacles are available in variety of styles to meet all your ground power connectors.
- Thermal shock -65° to + 200°C
- 2500 VRMS with <1 milli-amp leakage.
- 1500 A for 1 minute and 450 A Continues
- Optional in your color.

PARTNUMBERS

| PLUG PART | Military Part No. | DESCRIPTION |
|-----------|-------------------|--|
| ACPRC700 | MS90362-1 | Receptacle w/Shield and Fine Thread Terminals |
| ACPRC50 | MS90362-3 | Receptacle only |
| ACPRC10 | MS90362-4 | Receptacle w/Rear Cover and Shield |
| ACPRC100 | MS17845-1 | Shield only |
| ACPRC400 | MS3505-1 | Rear cover only |
| ACPRC200 | - | Snap cover only |
| ACPRC600 | - | Receptacle without shield , rear cover and snap front cover. |



Snap cover black
ACPRC700



Snap cover dark green
ACPRC80

PROPERTIES

- 6 poles 400 Hz 115V receptacle.
- Meet all the requirements of MIL-C-81790.
- Receptacles are available in variety of styles to meet all your ground power connectors.
- Thermal shock -65° to + 200°C
- 2500 VRMS with <1 milli-amp leakage.
- 1500 A for 1 minute and 450 A Continues
- Optional in your color.





Replaceable receptacle head
P/N ACPRH28VDC



Receptacle double main contact
P/N ACPR28VDC-D



Receptacle switch contact
P/N ACPR28VDC-Split-Aux



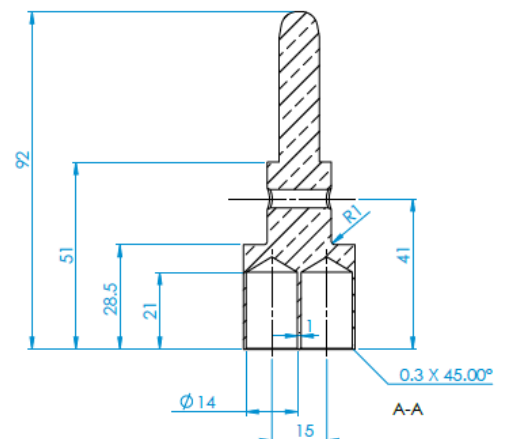
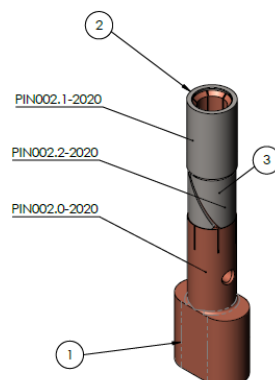
Aux switch contact
P/N ACPS28VDC-Split-Aux

PROPERTIES

- 28VDC Replaceable receptacle head.
- According to Mil spec. MS3506-1 dimensions.
- Receptacles are available in variety of styles to meet all your ground power connectors.
- Thermal shock -65° to + 200°C
- 2500 VRMS with <1 milli-amp leakage.
- 1500 A for 1 minute and 450 A Continues
- Optional with company logo.

PARTNUMBERS

| PLUG PART | DESCRIPTION |
|---------------------|---|
| ACPRH28VDC | Receptacle w/Shield and Fine Thread Terminals |
| ACPR28VDC-D | Receptacle double main contact |
| ACPR28VDC-Split-Aux | Receptacle switch contact |
| ACPS28VDC-Split-Aux | Aux. switch contact |





Left : 28VDC connector ACP3P-A
Right: 28VDC Portable receptacle

Technical data

The new 28VDC Replaceable Contact Section from Aircraftplugs is specially designed with a tapered edge to fit securely on any aircraft on the market today that utilizes 28VDC / 24VDC power.

A highly durable rubber selected for its strength, durability and longer life.

450 Amps max. continuous current.

1500 Amps maximum 1 minute.

Control component 35 amps continuous current.

Different grummet configurations, 3 or 5 cables.

Split control pins & tubes.

Crimped or soldered contacts.

Durable silver plated power and aux. contacts

It fit all aircraft types with a DC external power receptacle.



Left : 28VDC connector ACP3P-A
Right: 28VDC Portable receptacle

Technical data

The new 28VDC Replaceable Contact Section from Aircraftplugs is specially designed with a tapered edge to fit securely on any aircraft on the market today that utilizes 28VDC / 24VDC power.

A highly durable rubber selected for its strength, durability and longer life.

450 Amps max. continuous current.

1500 Amps maximum 1 minute.

Control component 35 amps continuous current.

Different grummet configurations, 3 or 5 cables.

Split control pins & tubes.

Crimped or soldered contacts.

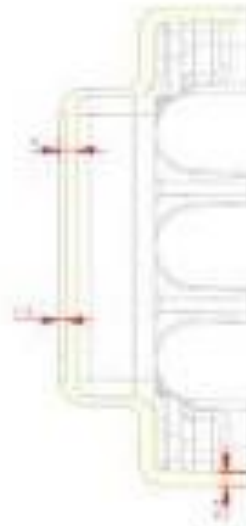
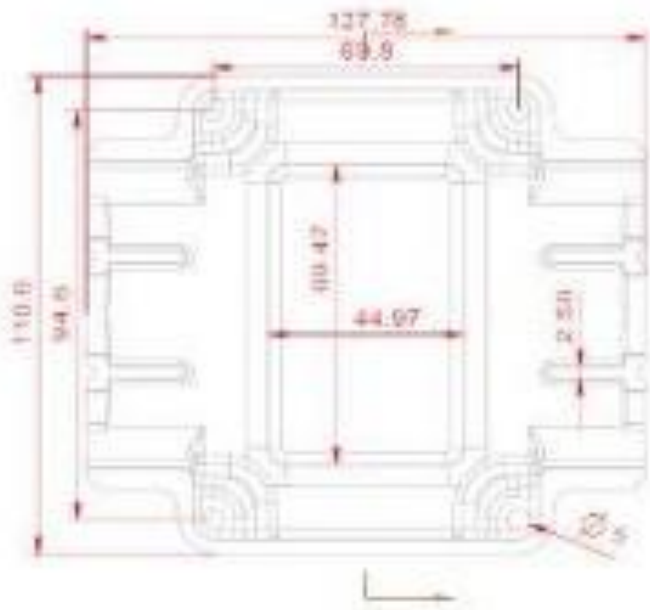
Durable silver plated power and aux. contacts

It fit all aircraft types with a DC external power receptacle.



PROPERTIES

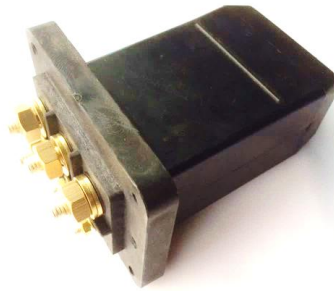
- Tailor made shield covers, to protect the electrical connector , in the material selected .
We do inhouse anodizing and plating.
Shields with or without hinge (springloaded) cover plates with your logo and powder coated into your RAL color.



400 hz receptacle rear cover

- Tailor made rear covers, to protect the electrical connector .




ACP6B 6 poles female recept.

ACP3B 3 poles female recept.
PROPERTIES

- Female receptacle 400 hz / 115V.
- 450 A cont. , 1500 A for 1 minute.
- E&F contacts max 35 A.
- According to MIL-C-81790
- Bases are molded from reinforced material for low moisture absorption and high strength.
- 400 Hz Receptacles according to ISO461/1 AND ISO461/2, and US Military Specification MIL-C-81790 (A) / BS4G178 dimensions.
- Optional : Protected flange mounted 400Hz or 28Vdc connectors, Cast aluminium alloy housing and lid
- Crimped or soldered contacts , Mounting boxes available

PARTNUMBERS

| PLUG PART | Description |
|-----------|-------------------------------------|
| ACP6B | 400 hz , female receptacle, 6 poles |
| ACP3B | 28VDC, female receptacle, 3 poles |



*ACP6BR
6 poles female recept. With replaceable nose section*



ACP6BB recept. base plate



ACP6BM recept. pins

PROPERTIES

- Female receptacle 400 hz / 115V.
- 450 A cont. , 1500 A for 1 minute.
- E&F contacts max 35 A.
- According to MIL-C-81790
- Bases are molded from reinforced material for low moisture absorption and high strength.
- 400 Hz Receptacles according to ISO461/1 AND ISO461/2, and US Military Specification MIL-C-81790 (A) / BS4G178 dimensions.
- Optional : Protected flange mounted 400Hz or 28Vdc connectors, Cast aluminium alloy housing and lid
- Crimped or soldered contacts , Mounting boxes available

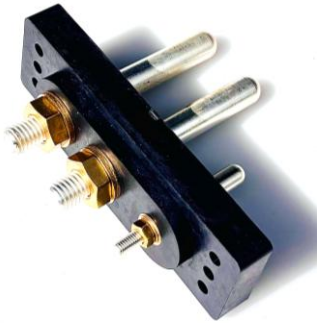
PARTNUMBERS

| PLUG PART | Description |
|-----------|---|
| ACP6BR | 400 hz , female receptacle, 6 poles, hard front section |
| ACP6BB | female receptacle, base plate. |



Tailor made modular receptacle





*AN2552 receptacle
Without shield
ACP-RD-1*



*Receptacle with oval
Shield and Cover
ACP-RD-2*



*Receptacle with
Rectangular shield
ACP-RD-5*



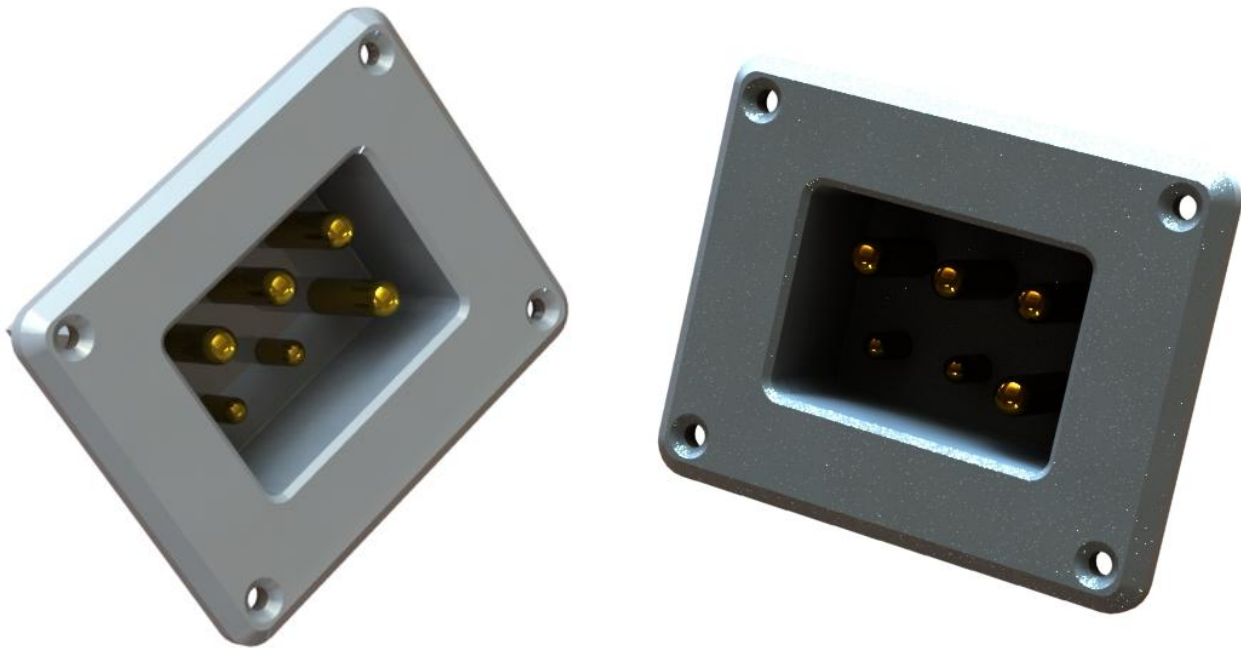
*Receptacle with oval
Shield and cover
ACP-RD3*

GENERAL

- 3 poles receptacle, with a minimum of 90% IACS , molded from high-strength reinforced polymer.
- Meets requirements of MS3506-1 / MS90362.
- Receptacles are available in variety of styles to meet all your ground power connectors.
- Thermal shock -65° to + 200°C
- 2500 VRMS with <1 milli-amp leakage.
- 1500 A for 1 minute and 450 A Continues

PARTNUMBERS

| PLUG PART | Mil reference | Description |
|-----------|---------------|---|
| ACP-RD-1 | - | Receptacle |
| ACP-RD-2 | MS3506-1 | Receptacle with oval shield |
| ACP-RD-3 | - | Receptacle with oval shield and snap cover |
| ACP-RD-4 | MS90362-1 | Receptacle with oval shield and flanged cover |
| ACP-RD-5 | - | Receptacle with rectangular shield |
| ACP-RD-6 | MS25018-2 | Receptacle with rectangular shield & flanged cover. |
| ACP-RD-7 | - | Female receptacle. |



GENERAL

- 6 poles receptacle, CNC production industrial strength reinforced polymer, non-conductive and thermal resistance.
- Meets requirements MS90362.
- Receptacles are available in variety of styles to meet all your ground power connectors.
- Thermal shock -65° to + 200°C
- 2500 VRMS with <1 milli-amp leakage.
- 1500 A for 1 minute and 450 A Continues
- Pure copper contact interchangeable contacts.
- High conductive, durable + 5 micron silver plated contacts.

PARTNUMBERS

| PLUG PART | Description |
|------------|------------------------------|
| ACP-RD-1-F | Receptacle 400Hz with flange |

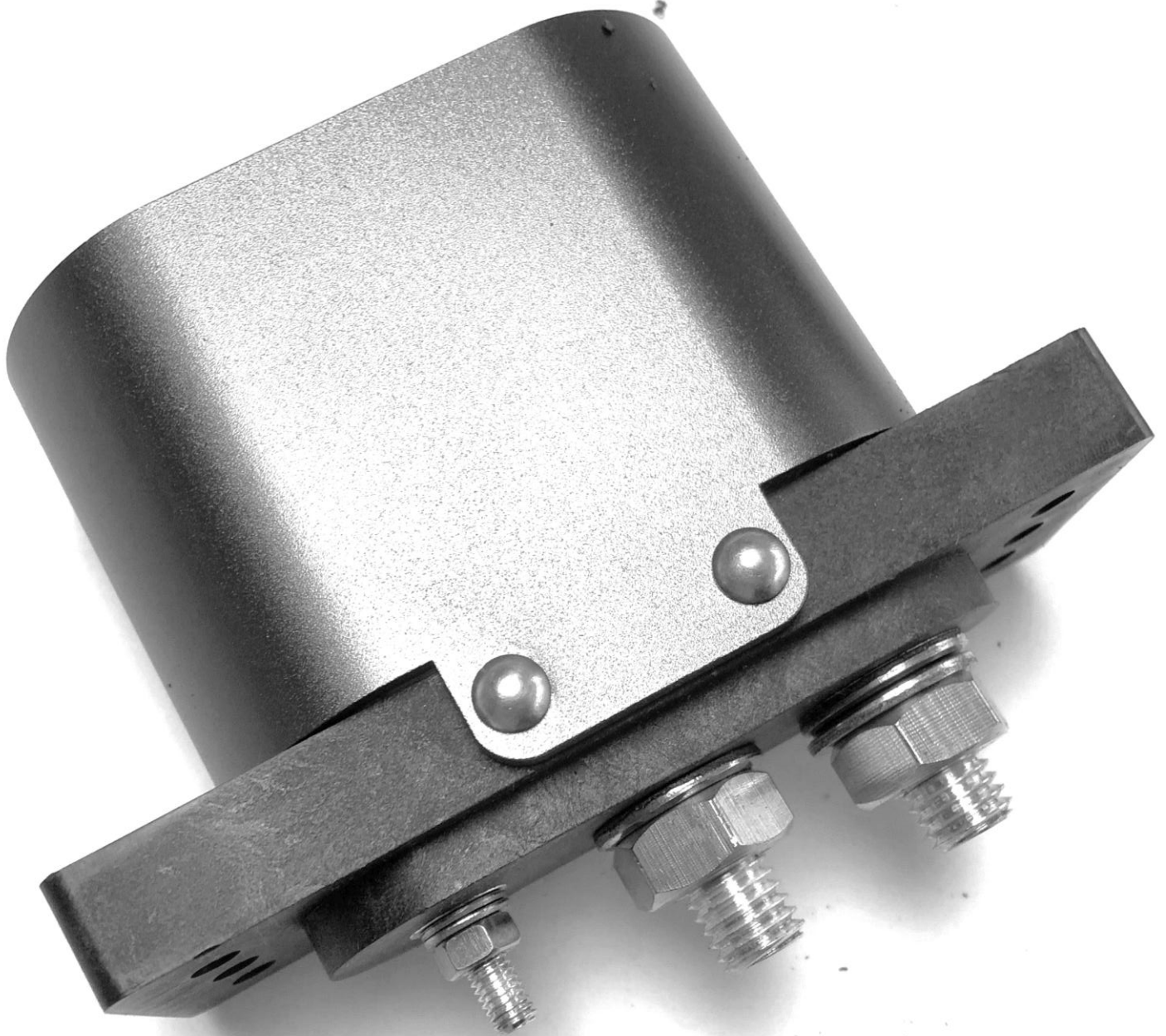




GENERAL

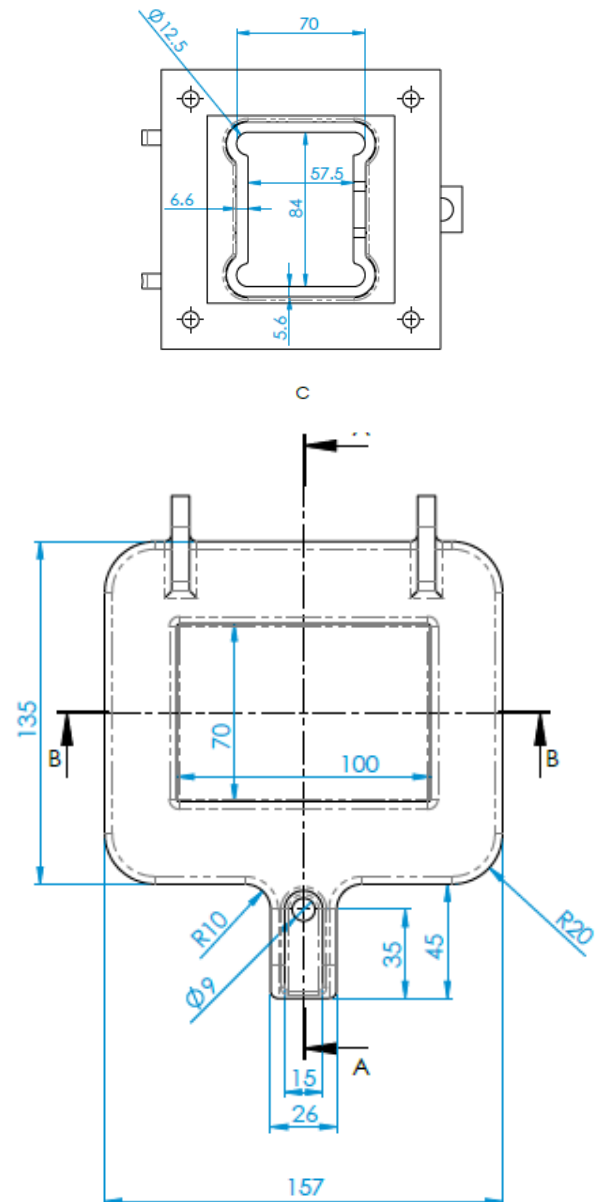
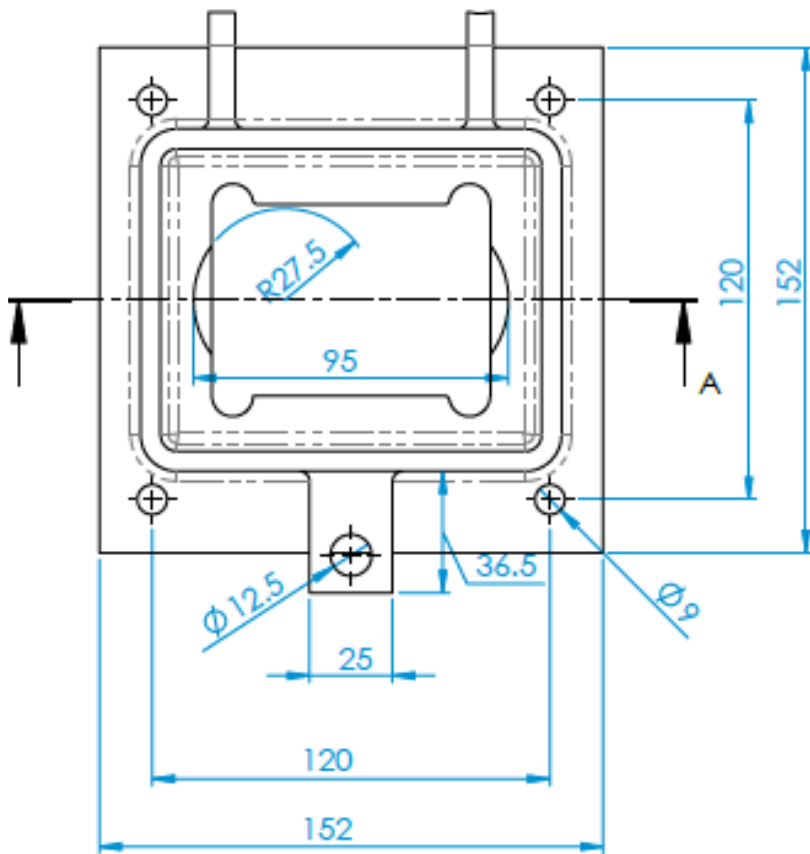
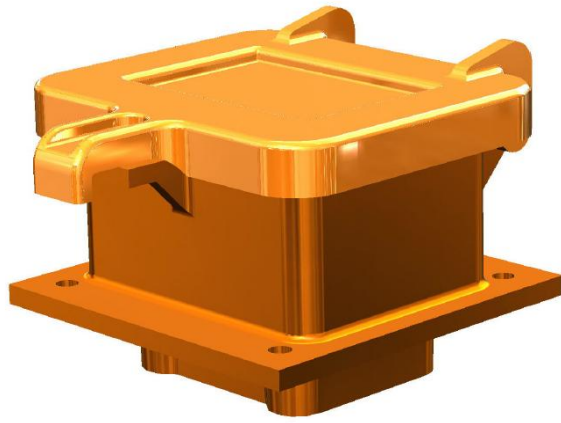
- 3 poles receptacle, with a minimum of 90% IACS , molded from high-strength reinforced polymer.
- Meets requirements of MS3506-1 / AN2552 / AN2551
- Receptacles are available in variety of styles to meet all your ground power connectors.
- Thermal shock -65° to + 200°C
- 2500 VRMS with <1 milli-amp leakage.
- 1500 A for 1 minute and 450 A Continues

| PLUG PART | Mil reference | Description |
|-----------|---------------|---|
| ACP-AN-MS | - | Portable Receptacle MS3506-1 assembly with AN2551 |



AN2551 MS3506-1 External Power Receptacle







ACP-JB-1



ACP-JB-2



ACP-JB-3



ACP-JB-4



ACP-JB-5



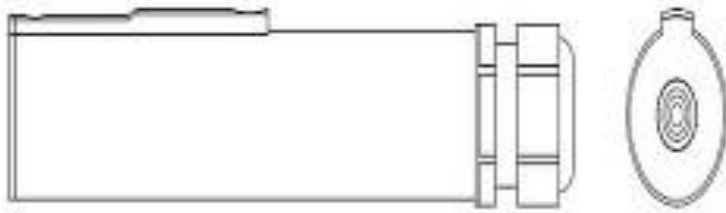
ACP-JB-6

GENERAL

- Sealed.
- Meets requirements of MS3506-1 / MS90362.
- Receptacles are available in variety of styles to meet all your ground power connectors.
- Thermal shock -65° to + 200°C
- 2500 VRMS with <1 milli-amp leakage.
- 1500 A for 1 minute and 450 A Continues

PARTNUMBERS

| PLUG PART | Description |
|-----------|---------------------------------|
| ACP-JB-1 | Receptacle 28VDC |
| ACP-JB-2 | Connector 28VDC |
| ACP-JB-3 | Receptacle 115V / 400 Hz |
| ACP-JB-4 | Connector 115V / 400 Hz |
| ACP-JB-5 | Receptacle 115V / 400 Hz Green |
| ACP-JB-6 | Receptacle 115V / 400 Hz Yellow |



GENERAL

Mates with piper receptacle sockets.

This Electrical conductors is designed for maximum efficiency and long life.
With ground return terminal. Single pole.
Brass female contact with spring-grip tension provides solid engagement with the socket.

Cable clamp holds wires firmly in place. Diecast housing. Accepts up to 0AWG cable.
Cable assemblies manufactured to customer requirements available.

Maximum 1600A based on the resistance this would give less than a .1V drop per contact.
Accepts up to 0AWG cable. Diecast metal housings.
Electrical conductors and connections are designed for maximum efficiency and long life.
With ground return terminal.
Made in Belgium.



PARTNUMBERS

| PLUG PART | Configuration | Description |
|-----------|---------------|----------------------------|
| ACP12VP | 2 wires | 12V piper style connector |
| ACP12VP-R | 2 wires | 12V piper stype receptacle |


GENERAL

- 4 or 2 wire , high impact resistance, removable nose section , rubber external power connector.
- 3 PIN NATO AN2551 external power connector for 12V / 24V or 28VDC application
- split control switch contact on request.
- 2 x 2 main wires configuration.
- Mates with AN2552 receptacle.
- Silver plated contacts.
- Special cable sizes and configurations on request.

PROPERTIES

450 A continuous , 1500 A for 1 minute, control contact 35 A continuous.

Mates with the aircraftplugs AN2552-3A external power receptacle.

Performance and dimensions to ISO 461 (BS4G173:1985) and appropriate MOD (Air) and NSN Standards.

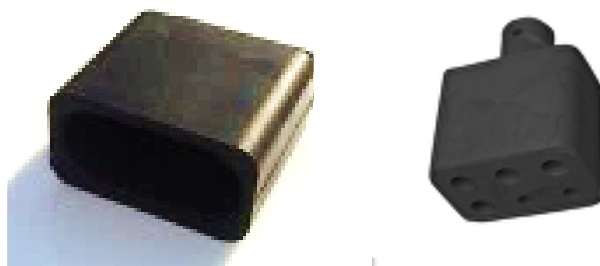
Cable assemblies to client requirements available.

Max. wire 120mm² or 4/0 AWG 250 MCM.

Stainless steel screws.

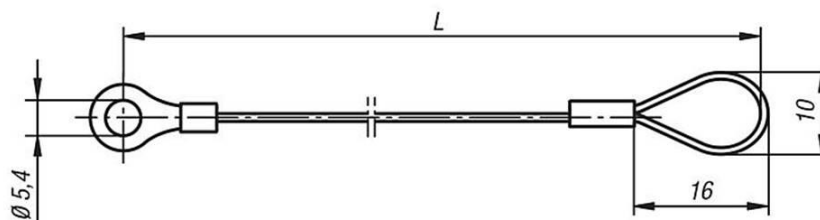
PARTNUMBERS

| PLUG PART | Configuration | CABLE section | GRUMMET | RECEPTACLE |
|-----------|--------------------|--|----------|------------|
| ACP3P1-5 | 4 wires or 2 wires | 8mm ² #8/2 | ACP3P1GW | ACP3R1 |
| ACP3P2-5 | 4 wires | 35mm ² 2-1/0 | ACP3P2GW | ACP3R2 |
| ACP3P3-5 | 4 wires | 50 mm ² 2-1/0 | ACP3P3GW | ACP3R3 |
| ACP3P4-5 | 4 wires | 70 mm ² 2-2/0 single conductor | ACP3P4GW | ACP3R4 |
| ACP3P5-5 | 4 wires | 70 mm ² 2-2/0 | ACP3P5GW | ACP3R5 |
| ACP3P6-5 | 4 wires | 90 mm ² 2-3/0 | ACP3P6GW | ACP3R6 |
| ACP3P7-5 | 4 wires | 120 mm ² 2-4/0 single conductor | ACP3P7GW | ACP3R7 |
| ACP3P8-5 | 4 wires | 120 mm ² 2-4/0 oval twin conductor | ACP3P8GW | ACP3R8 |
| ACP3P9-5 | 4 wires | 120 mm ² 2-2/0 welding single cond. | ACP3P9GW | ACP3R9 |


GENERAL

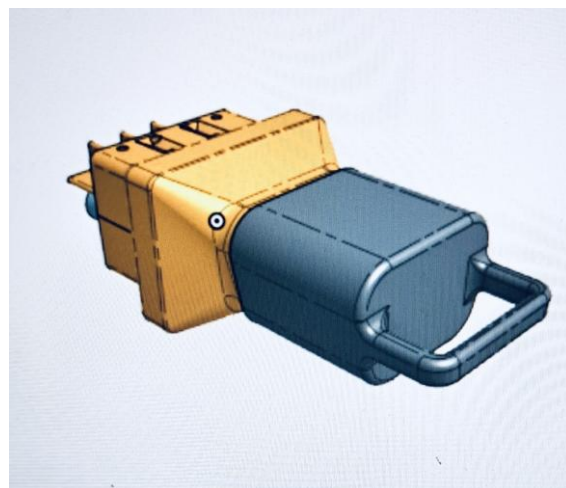
- high impact resistance, rubber external power connector nose cap.
- Mates with 3 PIN NATO AN2551 28 VDC / 3 poles external power connector or 400 Hz connector (2 versions)

| PLUG PART | Description |
|-----------|-----------------------------------|
| ACP3PC | dust cover for 3 poles connector |
| ACP6PC | dust cover for 6 poles connector |
| ACP3PR | dust cover for 3 poles receptacle |
| ACP6PR | dust cover for 6 poles receptacle |
| ACP3PCL30 | Lanyard for dust cover 30 cm |
| ACP3PRL50 | Lanyard for dust cover 50 cm |





| PLUG PART | Description |
|-----------|-----------------------------------|
| ACP3PC | dust cover for 3 poles connector |
| ACP6PC | dust cover for 6 poles connector |
| ACP3PR | dust cover for 3 poles receptacle |
| ACP6PR | dust cover for 6 poles receptacle |




GENERAL

- high impact resistance, rubber external power connector nose cab.
- Max 450 Amps – 3 Phase

PARTNUMBERS

| PLUG PART | Description |
|--------------|-------------|
| ACPMS272656 | MS272656 |
| ACPMS272656D | dust cover |
| ACPMS272656R | Rear part |
| | |
| | |
| | |



**GENERAL**

- Male female DC cable extensions durable rubber AN2551 / AN2552
- Optional with dust covers.
- Pure copper cable shoes.
- Made according to your requirements on request. (standard 70mm² cable)

| PLUG PART | Description |
|------------|---------------------------------------|
| ACPDCEXT50 | 50mm ² cable extension DC |
| ACPDCEXT70 | 70mm ² cable extension DC. |


GENERAL

- Machined silver plated cable shoes.
- Crimping marking and cable section information on the cable shoes.
- Pure copper or brass cable shoes for crimping or soldering.
- Made according to your requirements on request.

| PLUG PART | Description |
|-----------|---|
| ACPCLG15 | 15mm ² AWG 6 silver plated cable lug for main contacts. |
| ACPCLG35 | 35mm ² AWG 2 silver plated cable lug for main contacts. |
| ACPCLG50 | 50mm ² AWG 1/0 silver plated cable lug for main contacts. |
| ACPCLG70 | 70mm ² AWG 2/0 silver plated cable lug for main contacts. |
| ACPCLG90 | 90mm ² AWG 4/0 silver plated cable lug for main contacts. |
| ACPCLG120 | 120mm ² AWG 250 silver plated cable lug for main contacts. |
| ACPCLG4W | 4 wires adapter lug |
| ACPCLGEF | E & F contact lugs |



GENERAL

- High Current Capacity • Rugged Construction • Safety • Serviceability
- Heavy electrical loads: current range from 40 to 200 amperes .
- Direct current or single/three phase, 60/400 Hertz alternating current
- Automatic grounding for safety
- Meet MIL-DTL-22992 qualification
- Resistance to the operating environments of heat, moisture, vibration, high impact and immersion - see chart below.

For orders , contact us for specific part numbers



GENERAL

- Commercial Off-The-Shelf (COTS) derivative circular connectors exist that intermate with the military versions designed to MIL-C-5015/MIL-DTL-5015. Both COTS and military-style connectors are sometimes called "Type AN" connectors, "MS connectors" are notable manufacturers of this type of connectors. Aircraftplugs provides a "5015 series" rugged, versatile and environmental resistant connector with proven electrical capability in a cost effective package. 5015 series connectors are medium to heavy weight cylindrical connectors with 5 shell styles, 19 shell sizes and 5 service classes. The 5015 offers 305 contact arrangements from 1-to-104 circuits. Aircraftplugs and is the foremost manufacturer of Type "AN", MS and MS-type connectors with the widest range of connector styles, sizes and variations in the industry



GENERAL

- The NATO plug, available in different cabling configurations, is widely used by military land vehicles such as the HMMWV.

PROPERTIES

450 A continuous , 24V power supply

PARTNUMBERS

| PLUG PART | Description |
|-----------|-----------------------------|
| ACP_NT_24 | 24 V connector NATO version |



GENERAL

- Aircraftplugs grummets for 400 hz or 28VDC connectors, to protect wires, cables , and make the assembly watertight.
- Different standard sizes or tailor made grummets.

PARTNUMBERS

| PLUG PART | Description |
|----------------------|-------------|
| See connector pages. | |



ADVANTAGES

Aircraftplugs 400 Hz AC cables assemblies available in different sections.

- Double insulated
- High flexibility at all operating temperatures
- Low adhesion
- Abrasion resistant
- Optional 90 percent insert switch / push switches / Led
- Resistant to UV.

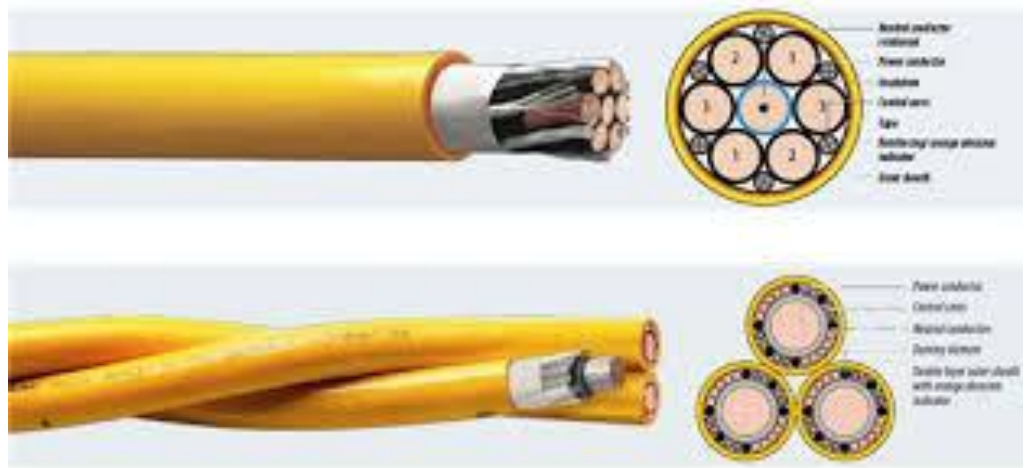


GENERAL

- Aircraftplugs 28VDC cables available in different sections , standard sections 25mm² , 50 mm² or 75 mm² , 90 mm² or 120 mm².

ADVANTAGES

- Double insulated
- High flexibility at all operating temperatures
- Low adhesion
- Abrasion resistant
- Halogen-free
- Resistant to UV radiation, oil, hydrolysis and microbial attack



GENERAL

- Single pole cables
- Cables with 4 control wires
- Stranded sets of 4 Cables with control wires
- Cables with 6 Cores twisted around neutral central core
- Cables with 3 Cores.
- Double insulated
- High flexibility at all operating temperatures
- Low adhesion
- Abrasion resistant
- Halogen-free
- Resistant to UV radiation, oil, hydrolysis and microbial attack





GENERAL

6-pole 400 Hz AC molded head- 3 poles DC molded head.
silver-plated tellurium copper power contacts
control contacts – control lead (twin conductor)
Jacketed wire cable with control lead
115/200 volts or 28VDC
3-phase power or DC
Minimum of 90% IACS conductivity

PARTNUMBERS

Please contact sales@aircraftplugs.com



PARTNUMBERS

Please contact sales@aircraftplugs.com

PARTNUMBERS

| P/N | Description |
|----------|-----------------------------------|
| ACSPROT3 | Ground Power Cable Scuffer black |
| ACSPROT4 | Ground Power Cable Scuffer orange |



GENERAL

- Cable guidance with optional break away connectors for safety
- Powder coated construction for 400 hz or 28VDC cables assembly.
- Metallised corrosion protection
- Optional in your own colors.
- Feet for easy mounting to ramp service

PARTNUMBERS

| PLUG PART | Description |
|------------|-------------------------------|
| ACPCBG1000 | Aircraftplugs Cable guidance. |

Aircraftplugs has over 10 years of experience in producing battery connectors and receptacles, including battery vents and tubes.

To facilitate installation and removal of the battery in some aircraft, a quick disconnect assembly is used to connect the power leads to the battery. This assembly, attaches the battery leads in the aircraft to a receptacle mounted on the side of the battery. The receptacle covers the battery terminal posts and prevents accidental shorting during the installation and removal of the battery. The plug consists of a socket and a handwheel with a coarse pitch thread. It can be readily connected to the receptacle by the handwheel. Another advantage of this assembly is that the plug can be installed in only one position, eliminating the possibility of reversing the battery leads.

We Produce different types of receptacles with different cables attachments .

MS3506 Style 1



- Mil-Spec qualified to MIL-PRF-18148/3 (MS3509). Military connector #'s include: MS3509-28, MS3509-28-1, MS3509-29, MS3509-29-1, MS3509-20, MS3509-30, MS3509-31, MS3509-32.
- Aircraftplugs battery receptacles maintain a low contact resistance, even when used in certain applications requiring 750 amps of continuous current, with peak current reaching 1500+ amps.



- Mil-Spec qualified to MIL-PRF-18148/3 (MS3509). Military connector #'s include: MS3509-28, MS3509-28-1, MS3509-29, MS3509-29-1, MS3509-20, MS3509-30, MS3509-31, MS3509-32.
- Aircraftplugs battery receptacles maintain a low contact resistance, even when used in certain applications requiring 750 amps of continuous current, with peak current reaching 1500+ amps.



- Mil-Spec qualified to MIL-PRF-18148/3 (MS3509). Military connector #'s include: MS3509-28, MS3509-28-1, MS3509-29, MS3509-29-1, MS3509-20, MS3509-30, MS3509-31, MS3509-32.
- Aircraftplugs battery receptacles maintain a low contact resistance, even when used in certain applications requiring 750 amps of continuous current, with peak current reaching 1500+ amps.



- Mil-Spec qualified to MIL-PRF-18148/3 (MS3509). Military connector #'s include: MS3509-28, MS3509-28-1, MS3509-29, MS3509-29-1, MS3509-20, MS3509-30, MS3509-31, MS3509-32.
- Aircraftplugs battery receptacles maintain a low contact resistance, even when used in certain applications requiring 750 amps of continuous current, with peak current reaching 1500+ amps.

MS3506 Style 1


- Mil-Spec qualified to MIL-PRF-18148/3 (MS3509). Military connector #'s include: MS3509-28, MS3509-28-1, MS3509-29, MS3509-29-1, MS3509-20, MS3509-30, MS3509-31, MS3509-32.
- Aircraftplugs battery receptacles maintain a low contact resistance, even when used in certain applications requiring 750 amps of continuous current, with peak current reaching 1500+ amps.

Mechanical properties

- Made with precision out of High temperature nylon
- Locking possible.
- Maximum Wire Size 4/0
- Environmental Sealing IP68 (pin connector) & IP55 (socket connector)
- Operating Temperature -40° C to +125° C
- Flammability Rating UL94 V-0
- Mates with all MS battery connectors.
- 99% pure red copper contacts.
- 5 micron or more durable silver plating.

Electrical properties

- Mil-Spec qualified to MIL-PRF-18148/3 (MS3509). Military connector #'s include: MS3509-28, MS3509-28-1, MS3509-29, MS3509-29-1, MS3509-20, MS3509-30, MS3509-31, MS3509-32.
- Aircraftplugs battery receptacles maintain a low contact resistance, even when used in certain applications requiring 750 amps of continuous current, with peak current reaching 3000+ amps. Rated voltage 1000 Volts

PARTNUMBERS

| PLUG PART | Description |
|-----------|--|
| ACPCLG15 | 15mm ² AWG 6 silver plated cable lug for main contacts. |
| ACPCLG35 | 35mm ² AWG 2 silver plated cable lug for main contacts. |
| ACPCLG50 | 50mm ² AWG 1/0 silver plated cable lug for main contacts. |
| ACPCLG70 | 70mm ² AWG 2/0 silver plated cable lug for main contacts. |
| ACPCLG90 | 90mm ² AWG 4/0 silver plated cable lug for main contacts. |

MS3506 Style 1



- Mil-Spec qualified to MIL-PRF-18148/3 (MS3509). Military connector #'s include: MS3509-28, MS3509-28-1, MS3509-29, MS3509-29-1, MS3509-20, MS3509-30, MS3509-31, MS3509-32.
- Aircraftplugs battery receptacles maintain a low contact resistance, even when used in certain applications requiring 750 amps of continuous current, with peak current reaching 1500+ amps.

Mechanical properties

- Made with precision out of High temperature nylon
- Locking possible.
- Maximum Wire Size 4/0
- Environmental Sealing IP68 (pin connector) & IP55 (socket connector)
- Operating Temperature -40° C to +125° C
- Flammability Rating UL94 V-0
- Mates with all MS battery connectors.
- 99% pure red copper contacts.
- 5 micron or more durable silver plating.



Electrical properties

- Mil-Spec qualified to MIL-PRF-18148/3 (MS3509). Military connector #'s include: MS3509-28, MS3509-28-1, MS3509-29, MS3509-29-1, MS3509-20, MS3509-30, MS3509-31, MS3509-32.
- Aircraftplugs battery receptacles maintain a low contact resistance, even when used in certain applications requiring 750 amps of continuous current, with peak current reaching 3000+ amps. Rated voltage 1000 Volts

PARTNUMBERS

| PLUG PART | Description |
|-----------|--------------------------------------|
| ACPCLGTP | With TERMINAL ADAPTERS (Stock item). |

MS3506 Style 2


- Mil-Spec qualified to MIL-PRF-18148/3 (MS3509). Military connector #'s include: MS3509-28, MS3509-28-1, MS3509-29, MS3509-29-1, MS3509-20, MS3509-30, MS3509-31, MS3509-32.
- Aircraftplugs battery receptacles maintain a low contact resistance, even when used in certain applications requiring 750 amps of continuous current, with peak current reaching 1500+ amps.

Mechanical properties

- Made with precision out of High temperature nylon
- Locking possible.
- Own color scheme and logo possible (minimum quantity required).
- Standard color black.
- Aircraftplugs battery receptacles maintain a low contact resistance, even when used in certain applications requiring 750 amps of continuous current, with peak current reaching 1500+ amps.

Electrical properties

- Mil-Spec qualified to MIL-PRF-18148/3 (MS3509). Military connector #'s include: MS3509-28, MS3509-28-1, MS3509-29, MS3509-29-1, MS3509-20, MS3509-30, MS3509-31, MS3509-32.
- Aircraftplugs battery receptacles maintain a low contact resistance, even when used in certain applications requiring 750 amps of continuous current, with peak current reaching 3000+ amps.
- Rated voltage 1000 Volt.

PARTNUMBERS

| PLUG PART | Description |
|-----------|--|
| ACPCLG15 | 15mm ² AWG 6 silver plated cable lug for main contacts. |
| ACPCLG35 | 35mm ² AWG 2 silver plated cable lug for main contacts. |
| ACPCLG50 | 50mm ² AWG 1/0 silver plated cable lug for main contacts. |
| ACPCLG70 | 70mm ² AWG 2/0 silver plated cable lug for main contacts. |
| ACPCLG90 | 90mm ² AWG 4/0 silver plated cable lug for main contacts. |

MS3506 Style 2


P/N ACP-S1 MS3509 gasket style I receptacle



P/N ACP-S2 Backshell for rear receptacle



P/N ACP-S3 Dust cover

Mechanical properties

- Made with precision out of High temperature nylon
- Locking possible.
- Own color scheme and logo possible (minimum quantity required).
- Standard color black.
- Aircraftplugs battery receptacles maintain a low contact resistance, even when used in certain applications requiring 750 amps of continuous current, with peak current reaching 1500+ amps.

Electrical properties

- Mil-Spec qualified to MIL-PRF-18148/3 (MS3509). Military connector #'s include: MS3509-28, MS3509-28-1, MS3509-29, MS3509-29-1, MS3509-20, MS3509-30, MS3509-31, MS3509-32.
- Aircraftplugs battery receptacles maintain a low contact resistance, even when used in certain applications requiring 750 amps of continuous current, with peak current reaching 3000+ amps.
- Rated voltage 1000 Volt.

PARTNUMBERS

| ACCESSORIES PART | Description |
|------------------|--|
| ACP-S1 | MS3509 gasket style I receptacle |
| ACP-S2 | Backshell for rear receptacle style I |
| ACP-S3 | Dust cover style I |
| ACP-S4 | Dust cover style II |
| ACP-S5 | MS3509 gasket style II receptacle |
| ACP-S6 | Backshell for rear receptacle style II |

MS3506 Style 2



- Mil-Spec qualified to MIL-PRF-18148/3 (MS3509). Military connector #'s include: MS3509-28, MS3509-28-1, MS3509-29, MS3509-29-1, MS3509-20, MS3509-30, MS3509-31, MS3509-32.
- Aircraftplugs battery receptacles maintain a low contact resistance, even when used in certain applications requiring 750 amps of continuous current, with peak current reaching 1500+ amps.

Mechanical properties

- Made with precision out of High temperature nylon
- Locking possible.
- Own color scheme and logo possible (minimum quantity required).
- Standard color black.
- Aircraftplugs battery receptacles maintain a low contact resistance, even when used in certain applications requiring 750 amps of continuous current, with peak current reaching 1500+ amps.

Electrical properties

- Mil-Spec qualified to MIL-PRF-18148/3 (MS3509). Military connector #'s include: MS3509-28, MS3509-28-1, MS3509-29, MS3509-29-1, MS3509-20, MS3509-30, MS3509-31, MS3509-32.
- Aircraftplugs battery receptacles maintain a low contact resistance, even when used in certain applications requiring 750 amps of continuous current, with peak current reaching 1500+ amps.

PARTNUMBERS

MS3506 Style 2



- Mil-Spec qualified to MIL-PRF-18148/3 (MS3509). Military connector #'s include: MS3509-28, MS3509-28-1, MS3509-29, MS3509-29-1, MS3509-20, MS3509-30, MS3509-31, MS3509-32.
- Aircraftplugs battery receptacles maintain a low contact resistance, even when used in certain applications requiring 750 amps of continuous current, with peak current reaching 1500+ amps.

Mechanical properties

- Made with precision out of High temperature nylon
- Locking possible.
- Own color scheme and logo possible (minimum quantity required).
- Standard color black.
- Aircraftplugs battery receptacles maintain a low contact resistance, even when used in certain applications requiring 750 amps of continuous current, with peak current reaching 1500+ amps.

Electrical properties

- Mil-Spec qualified to MIL-PRF-18148/3 (MS3509). Military connector #'s include: MS3509-28, MS3509-28-1, MS3509-29, MS3509-29-1, MS3509-20, MS3509-30, MS3509-31, MS3509-32.
- Aircraftplugs battery receptacles maintain a low contact resistance, even when used in certain applications requiring 750 amps of continuous current, with peak current reaching 1500+ amps.

PARTNUMBERS

MS3506 Style 2



- Mil-Spec qualified to MIL-PRF-18148/3 (MS3509). Military connector #'s include: MS3509-28, MS3509-28-1, MS3509-29, MS3509-29-1, MS3509-20, MS3509-30, MS3509-31, MS3509-32.
- Aircraftplugs battery receptacles maintain a low contact resistance, even when used in certain applications requiring 750 amps of continuous current, with peak current reaching 1500+ amps.

Mechanical properties

- Made with precision out of High temperature nylon
- Locking possible.
- Own color scheme and logo possible (minimum quantity required).
- Standard color black.
- Aircraftplugs battery receptacles maintain a low contact resistance, even when used in certain applications requiring 750 amps of continuous current, with peak current reaching 1500+ amps.

Electrical properties

- Mil-Spec qualified to MIL-PRF-18148/3 (MS3509). Military connector #'s include: MS3509-28, MS3509-28-1, MS3509-29, MS3509-29-1, MS3509-20, MS3509-30, MS3509-31, MS3509-32.
- Aircraftplugs battery receptacles maintain a low contact resistance, even when used in certain applications requiring 750 amps of continuous current, with peak current reaching 1500+ amps.

PARTNUMBERS

MS3506 GASKET



- Mil-Spec qualified to MIL-PRF-18148/3 (MS3509). Military connector #'s include: MS3509-28, MS3509-28-1, MS3509-29, MS3509-29-1, MS3509-20, MS3509-30, MS3509-31, MS3509-32.
- Aircraftplugs battery receptacles maintain a low contact resistance, even when used in certain applications requiring 750 amps of continuous current, with peak current reaching 1500+ amps.

MS3506 DUSTCOVER

- Made with precision out of High temperature nylon
- Locking possible.
- Own color scheme and logo possible (minimum quantity required).
- Standard color black.
- Aircraftplugs battery receptacles maintain a low contact resistance, even when used in certain applications requiring 750 amps of continuous current, with peak current reaching 1500+ amps.



2-Wire Cable Mounted Plug (T Handle)

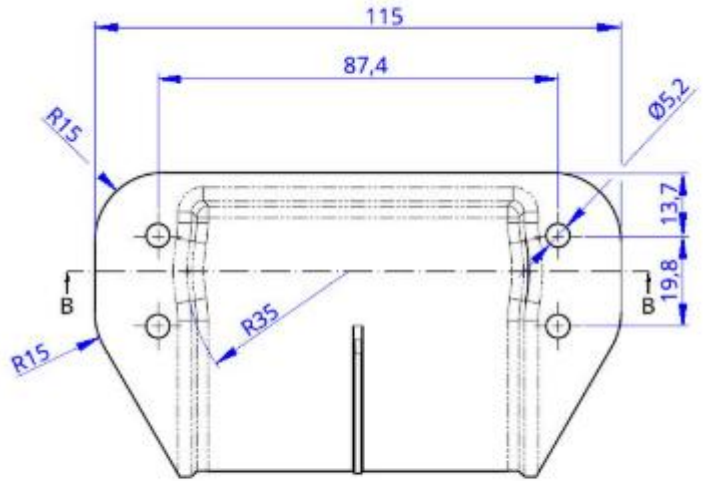
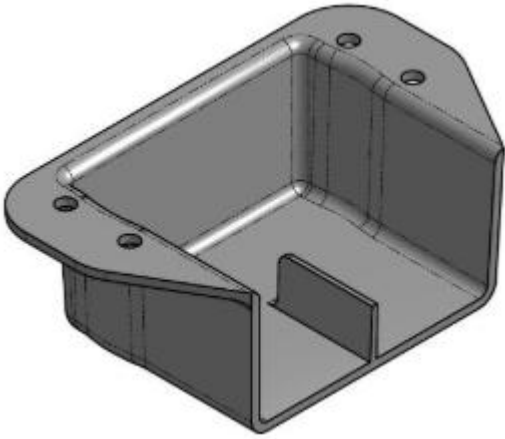


- Mil-Spec qualified to MIL-PRF-18148/3 (MS3509). Military connector #'s include: MS3509-28, MS3509-28-1, MS3509-29, MS3509-29-1, MS3509-20, MS3509-30, MS3509-31, MS3509-32.
- Aircraftplugs battery receptacles maintain a low contact resistance, even when used in certain applications requiring 750 amps of continuous current, with peak current reaching 1500+ amps.

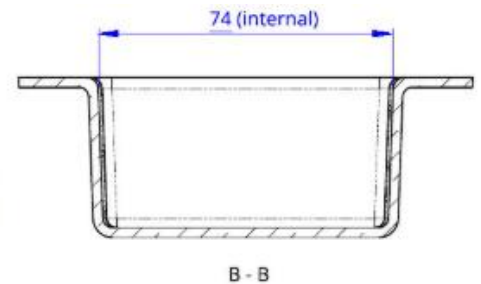
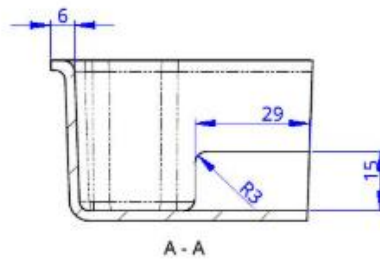
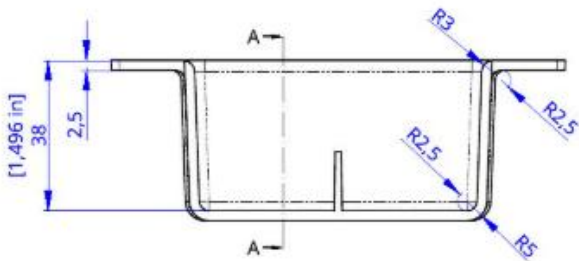
BACKSHELL 1,49 or 2,49



MS3506 BACKSHELL 1,49 inside depth



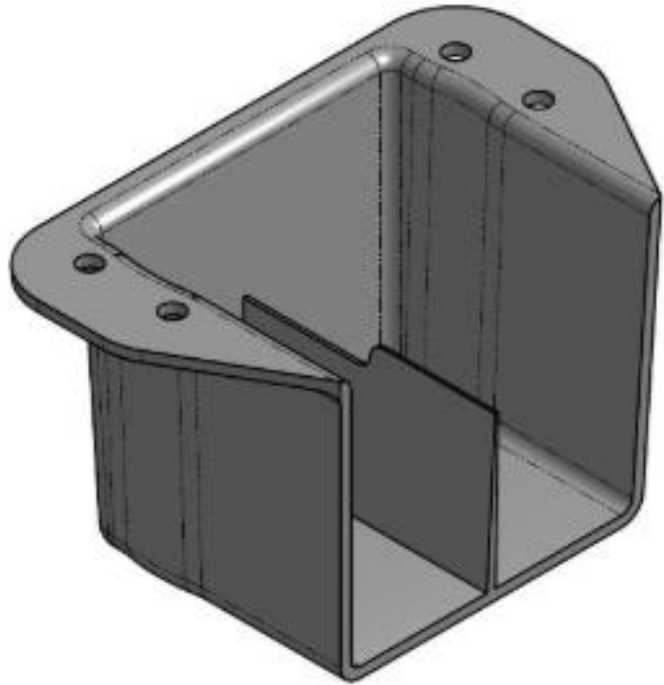
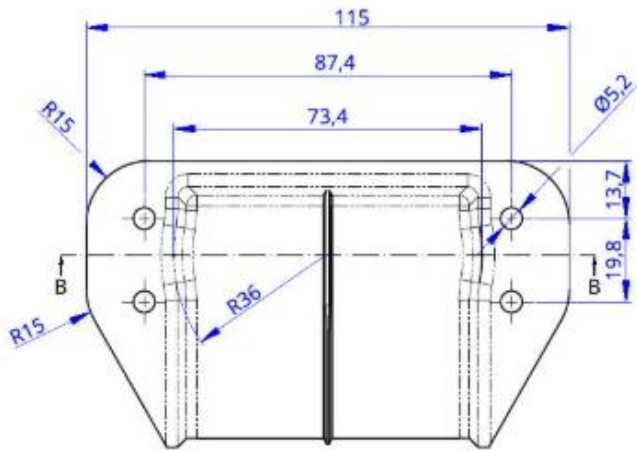
Mil Specs MS25182, MS3509, Mil-PRF-18148, Mil-E-18148 and Mil-E-81099



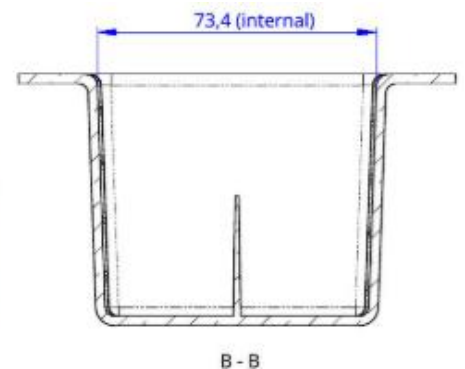
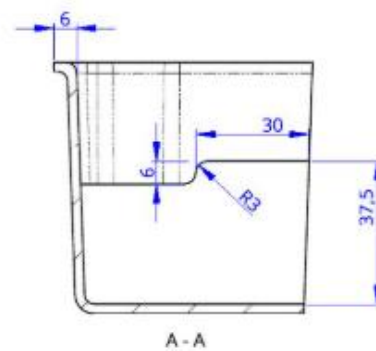
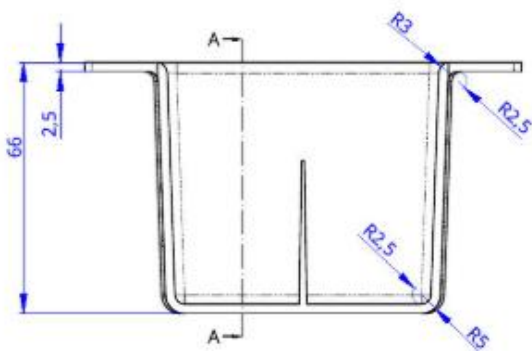
BACKSHELL 1,49 or 2,49



MS3506 BACKSHELL 2,49 inside depth



Mil Specs MS25182, MS3509, Mil-PRF-18148, Mil-E-18148 and Mil-E-81099



BACKSHELL 1,49 or 2,49





Battery connector MS 25182-2



GENERAL

- Meets MS 25182-2
- 750 Amps cont. 1500 A for 1 minute.
- 5000 engagements
- It is designed to operate at temperature extremes of -65F to +160F.
- Different config :
 - Extended Handle
 - Extended Terminal Length
 - Low Profile w/ Stainless Steel Handle

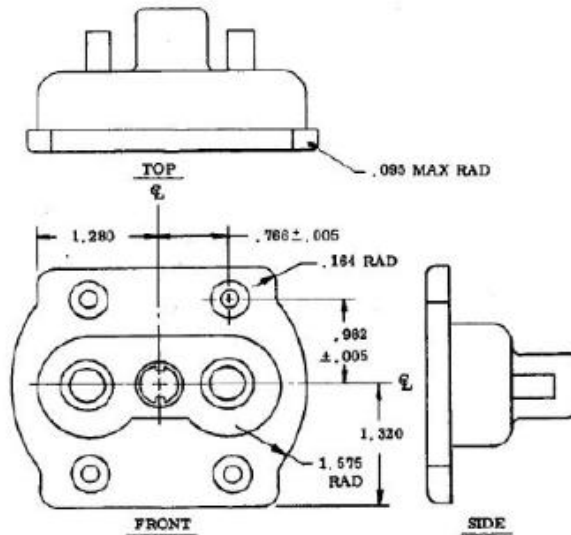


PARTNUMBERS

| PLUG PART | Configuration |
|-------------------|---------------------------------------|
| MS 25182-2 – ACP1 | Extended Handle |
| MS 25182-2 – ACP2 | Extended Terminal Length |
| MS 25182-2 – ACP3 | Low Profile w/ Stainless Steel Handle |



MS3509 Style 2



ALL DIMENSIONS ARE TYPICAL. ALL TOLERANCES ARE $\pm .010$ UNLESS OTHERWISE SPECIFIED.



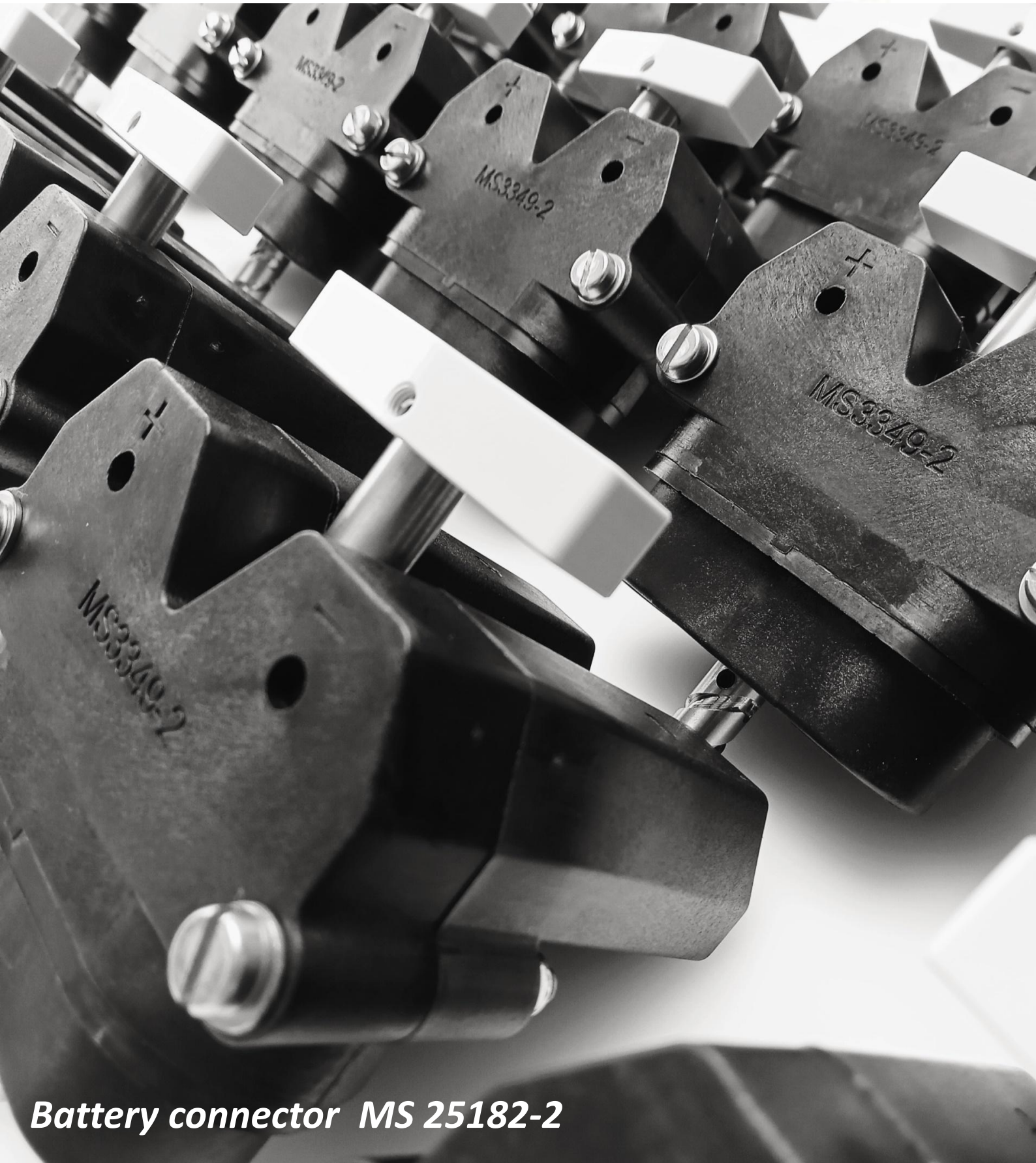
GENERAL

- Meets MS 25182-2
- 750 Amps cont. 1500 A for 1 minute.
- 5000 engagements
- It is designed to operate at temperature extremes of -65F to +160F.
- Different config :
 - Extended Handle
 - Extended Terminal Length
 - Low Profile w/ Stainless Steel Handle

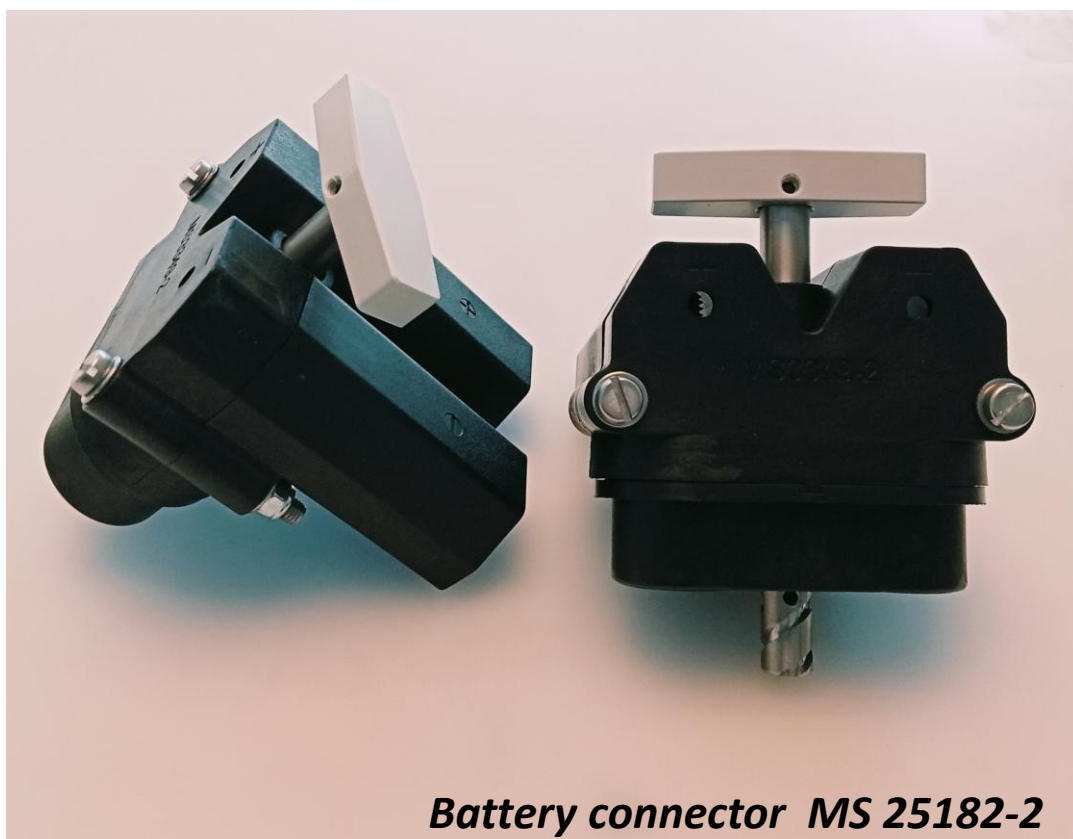


PARTNUMBERS

| PLUG PART | Configuration |
|-------------------|---------------------------------------|
| MS 25182-2 – ACP1 | Extended Handle |
| MS 25182-2 – ACP2 | Extended Terminal Length |
| MS 25182-2 – ACP3 | Low Profile w/ Stainless Steel Handle |



Battery connector MS 25182-2


Battery connector MS 25182-2
ADVANTAGES

- Meets MS 25182-2
- 750 Amps cont. 1500 A for 1 minute.
- 5000 engagements
- It is designed to operate at temperature extremes of -65F to +160F.
- Different config :
 - Extended Handle
 - Extended Terminal Length
 - Low Profile w/ Stainless Steel Handle

PARTNUMBERS

| PLUG PART | Configuration |
|-------------------|---------------------------------------|
| MS 25182-2 – ACP1 | Extended Handle |
| MS 25182-2 – ACP2 | Extended Terminal Length |
| MS 25182-2 – ACP3 | Low Profile w/ Stainless Steel Handle |
| MS 25182-2 – ACP4 | Low Profile T Handle |



GENERAL

- 4, wire , high impact resistance battery connector
- Silver plated contacts.
- Special cable sizes and configurations on request.

PROPERTIES





**BREAKAWAY
ASSEMBLY
28VDC**



**BREAKAWAY
ASSEMBLY
400Hz
115V**

GENERAL

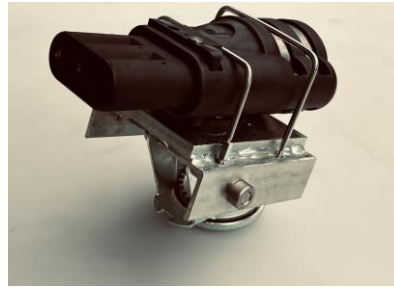
- Designed to breakaway at 40-50 lbs for AC and 20 – 30 lbs for DC. (9-13 kg DC and 18-23 kg AC)
- Silver plated contacts.
- Available for 270 VDC connectors aswell
- Special cable sizes and configurations on request.
- Galvano protected rugged ball bearing swivel.
- The connection will break, at the Quick Breakassembly, not at the aircraft.
- Rotatable in pitch and 360 degrees in direction of pull.
- Tailor made solutions available.
- The assembly can be installed on GPU or at airport bridge.
- Mounting hole in the base.
- 360 degrees industrial strenght swifel base.
- Male / Female plug receptacle configuration for different cable sections.
- Ball bearing sealed.

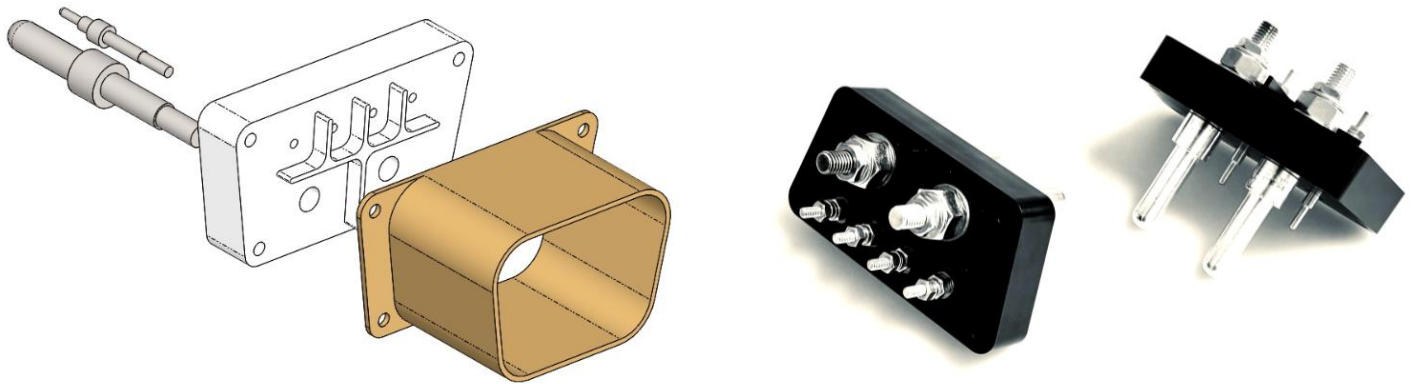
PARTNUMBERS

| PART | Configuration |
|-------------|--|
| QB-assembly | Quick disconnect assembly 28VDC or 400Hz or 270VDC |



AC/ DC




GENERAL

- high impact resistance connector. Ideally suited for any 270 VDC applications, including the F-22 & F-35 aircraft.
- Precision CNC , Silver plated contacts.
- Anodized aluminium shield.

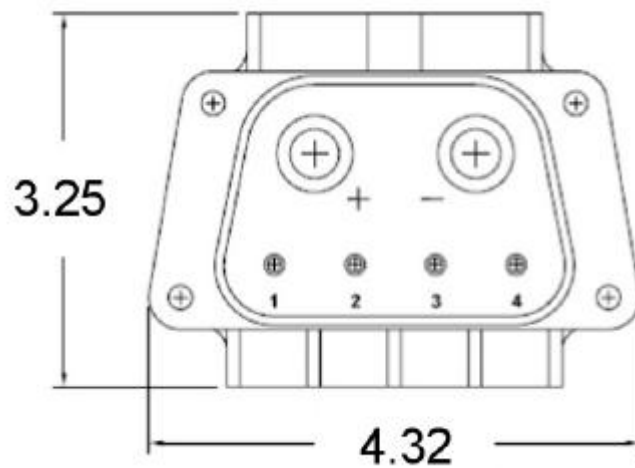
PARTNUMBERS

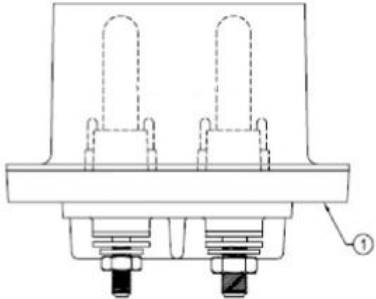
| PART | P/N |
|---|------------|
| 270 VDC receptacle (without shield and with contacts) | ACP270VDCR |
| 270 VDC shield | ACP270VDCS |
| 270 VDC main contact | ACP270VDCU |
| 270 VDC sense contact | ACP270VDCV |
| 270 VDC rear cover | ACP270VDCN |



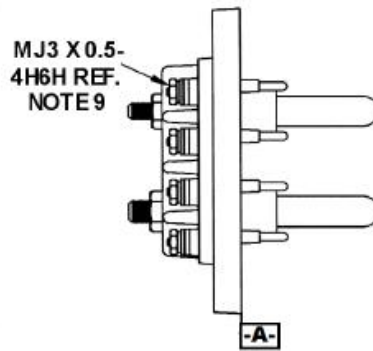
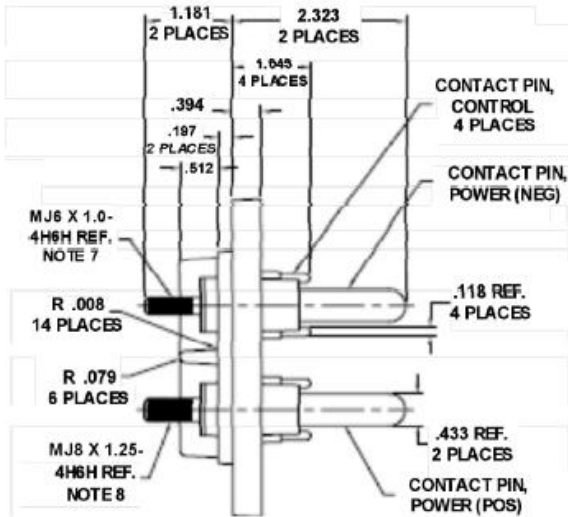
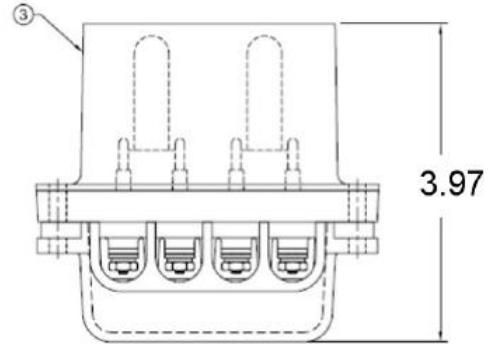
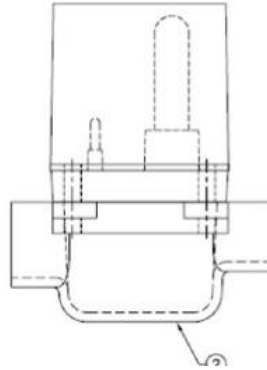


270 VDC receptacle

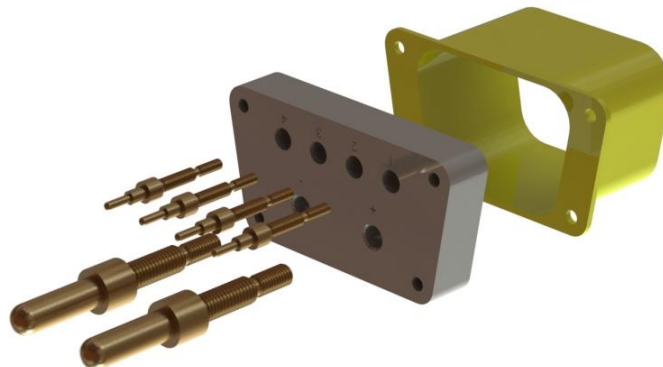




TERMINAL COVER REMOVED FOR CLARITY



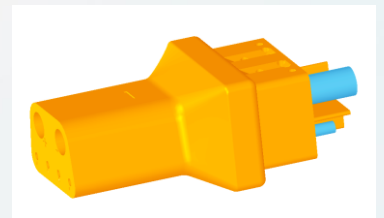
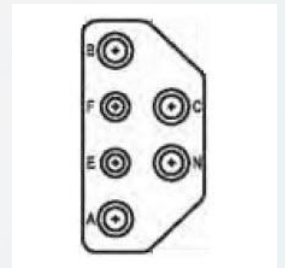
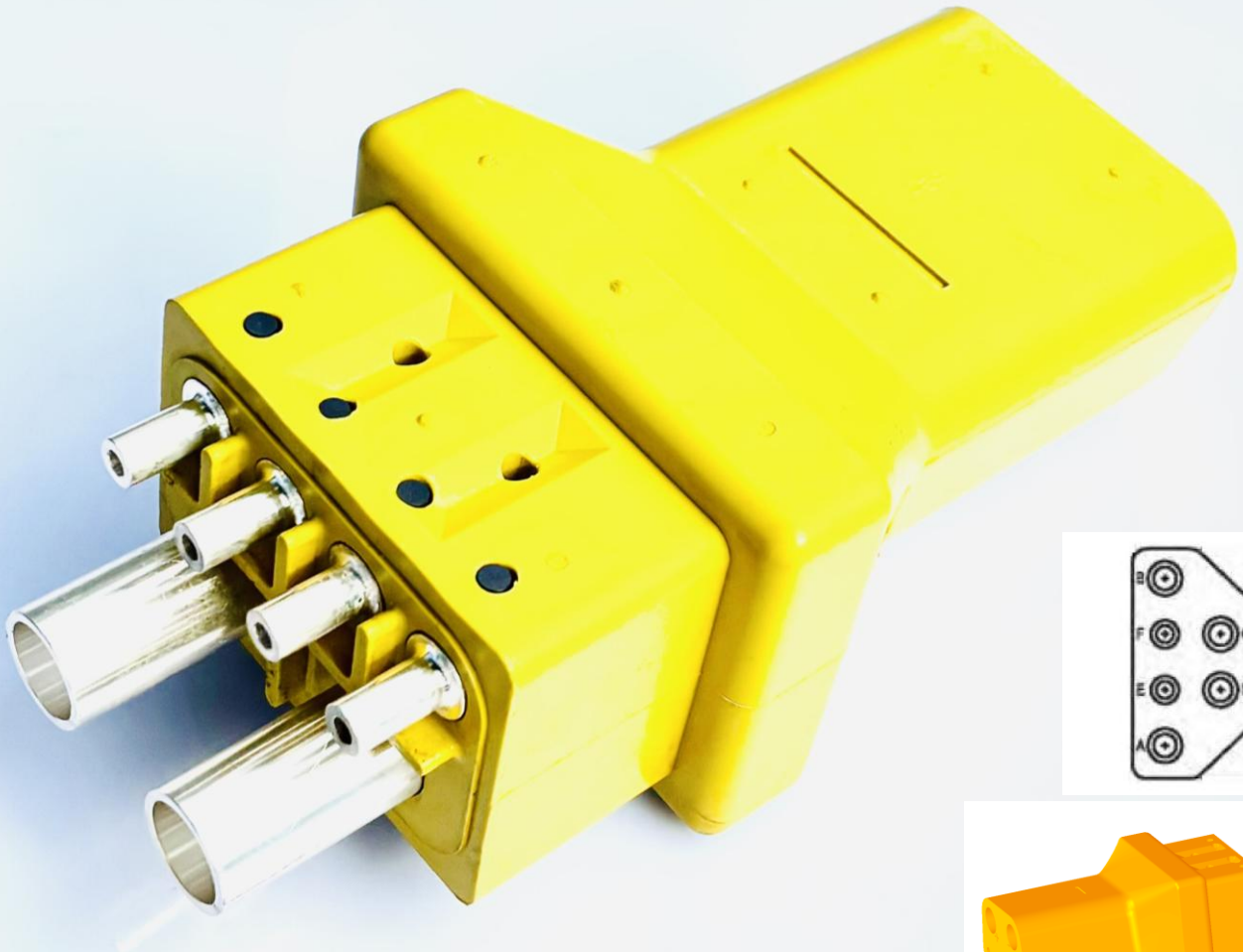
270 VDC receptacle





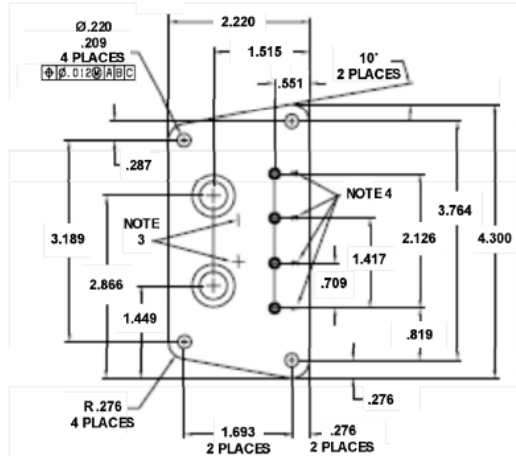
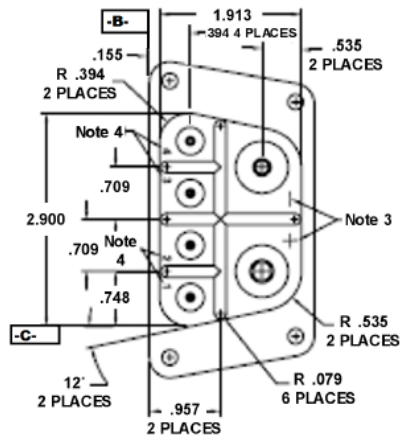
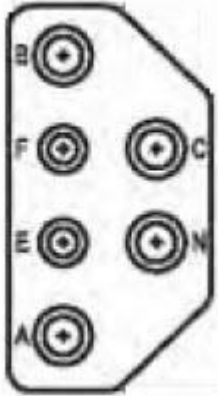
270 VDC

- High impact resistance connector. Ideally suited for any 270 VDC applications, including the F-22 & F-35 aircraft.
- Innovated precision CNC , Silver plated contacts, superior design.
- No maintenance connector, for smooth and reliable operations.
- Hypalon quality molded head.
- Easy connection to cable.
- Resistant to abrasion, petroleum products & ozone/environmental deterioration
- Ideally suited for most common intelligent fast charging applications
- Replaceable nose section.
- Industrial strength.
- Meets Lockheed Martin Aeronautics Company Drawing 5PTV6002.
- Meets SAE-AS7974/5
- Supplied with or without cable.
- Integral molded head to ensure no liquids or debris will get into the electrical contact area which could cause an electrical arch or short . There are no metal screws to hold the 270VDC head in place which could cause an electrical short if the head was damaged during use.



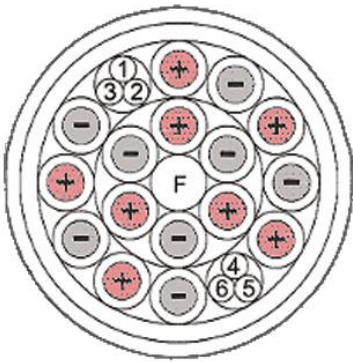
PARTNUMBERS

| PART | P/N |
|---------------------------------------|------------|
| 270 VDC connector | ACP270VDCC |
| (specify cable section upon ordering) | |

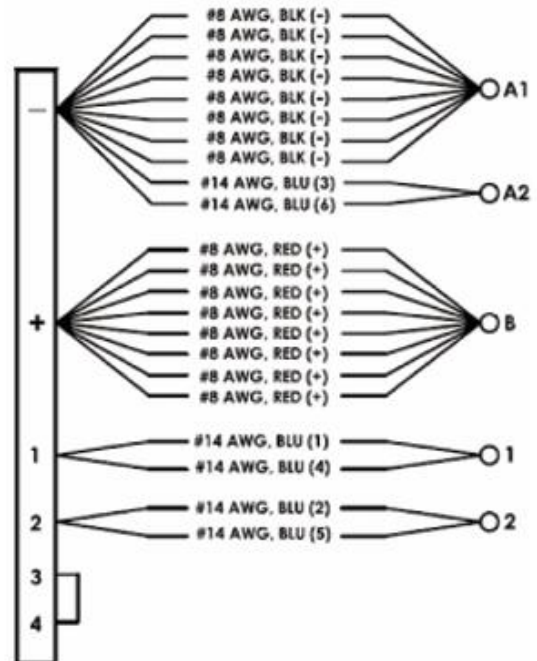


GENERAL

- High impact resistance connector. Ideally suited for any 270 VDC applications, including the F-22 & F-35 aircraft.
- Precision CNC , Silver plated sockets



WIRE DIAGRAM



PARTNUMBERS

| PART | P/N |
|---------------------------------------|------------|
| 270 VDC connector | ACP270VDCC |
| (specify cable section upon ordering) | |

270 VDC cable assembly

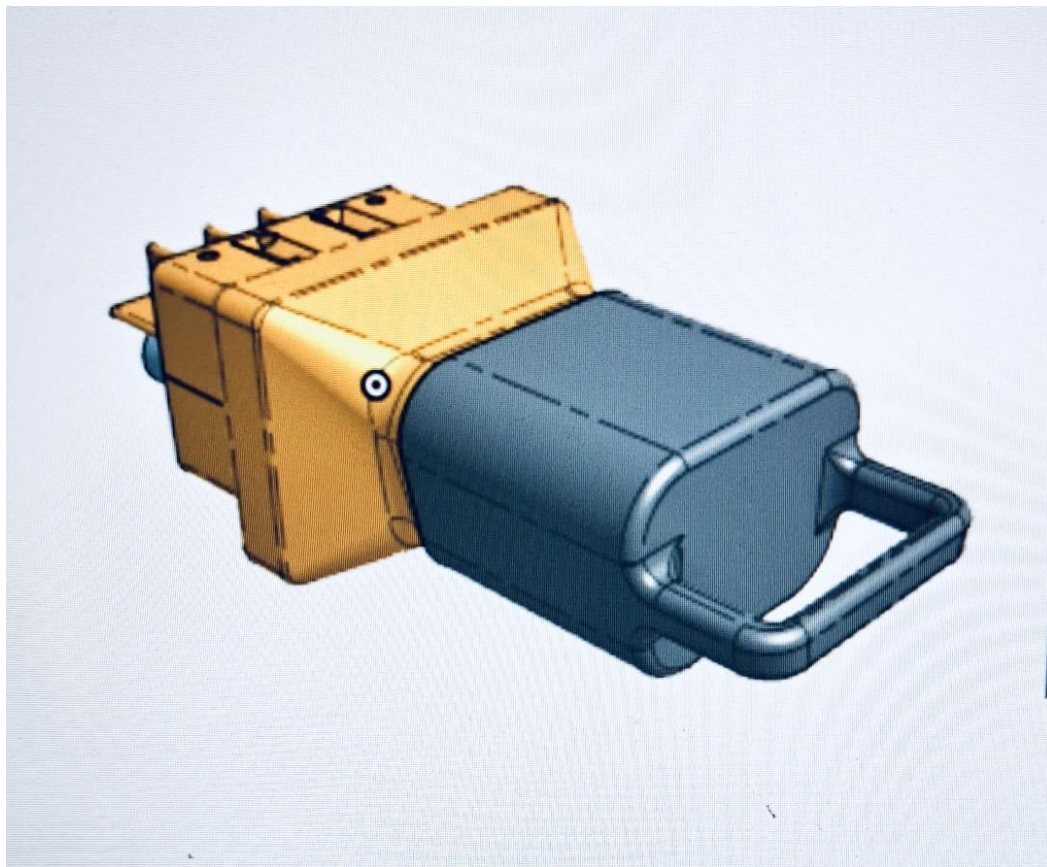
B1B Bomber Military Aircraft Connector



High-quality 270VDC connector cable assemblies to the worlds military market. Designed and tested to meet the F-35 Lighting II stringent SAE AS7974/5 standard, our 270VDC ground power cable assemblies are used worldwide to support every military branch of service supporting all the F-35, F22 aircraft variants.

PARTNUMBERS

| PART | P/N |
|--------------------------------------|----------------------------|
| 270 VDC connector assembly | ACP270VDCC-Assembly-Lenght |
| (specify cable length upon ordering) | |

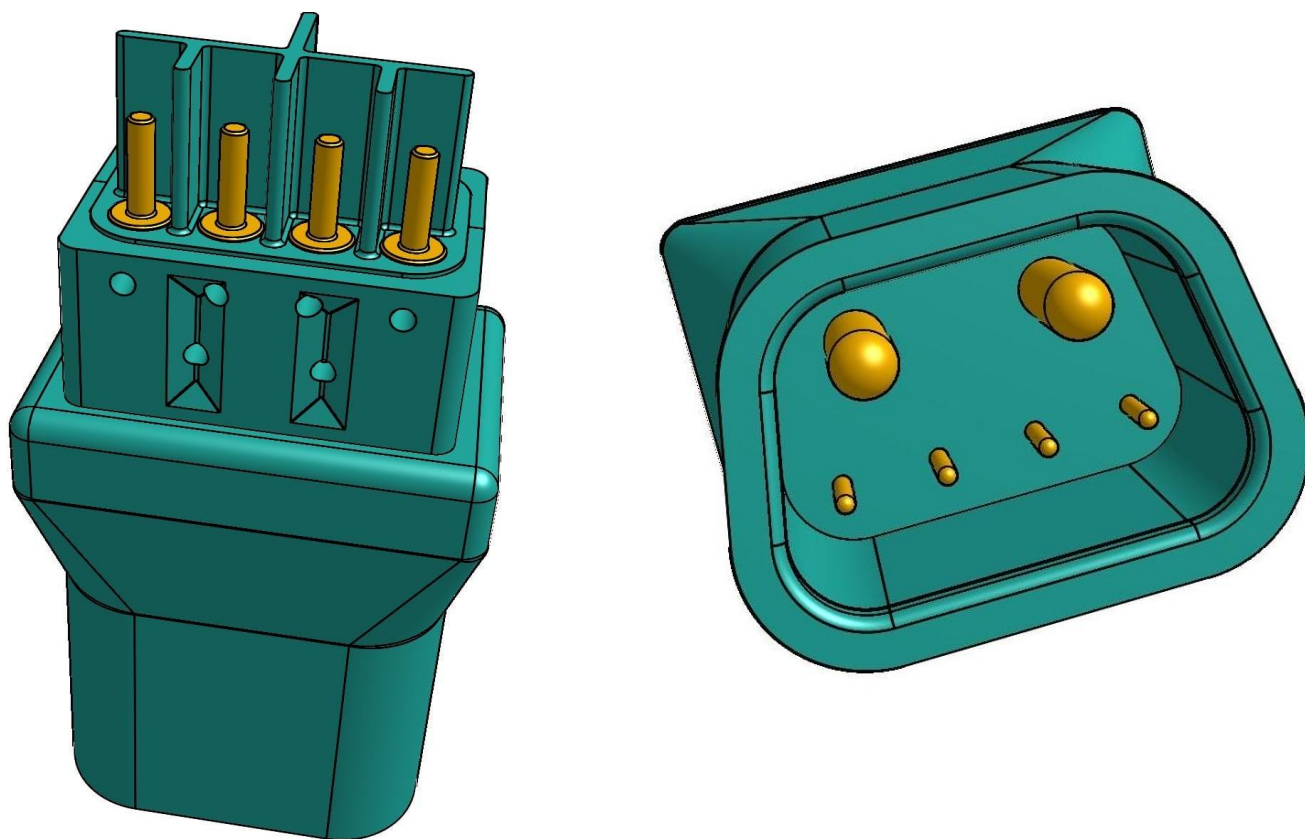


High-quality 270VDC connector cable assemblies to the worlds military market. Designed and tested to meet the F-35 Lighting II stringent SAE AS7974/5 standard, our 270VDC ground power cable assemblies are used worldwide to support every military branch of service supporting all the F-35, F22 aircraft variants.

Dustcover

PARTNUMBERS

| PART | P/N |
|------------------------------|-----------------|
| 270 VDC connector dust cover | ACP270VDC-COVER |
| | |



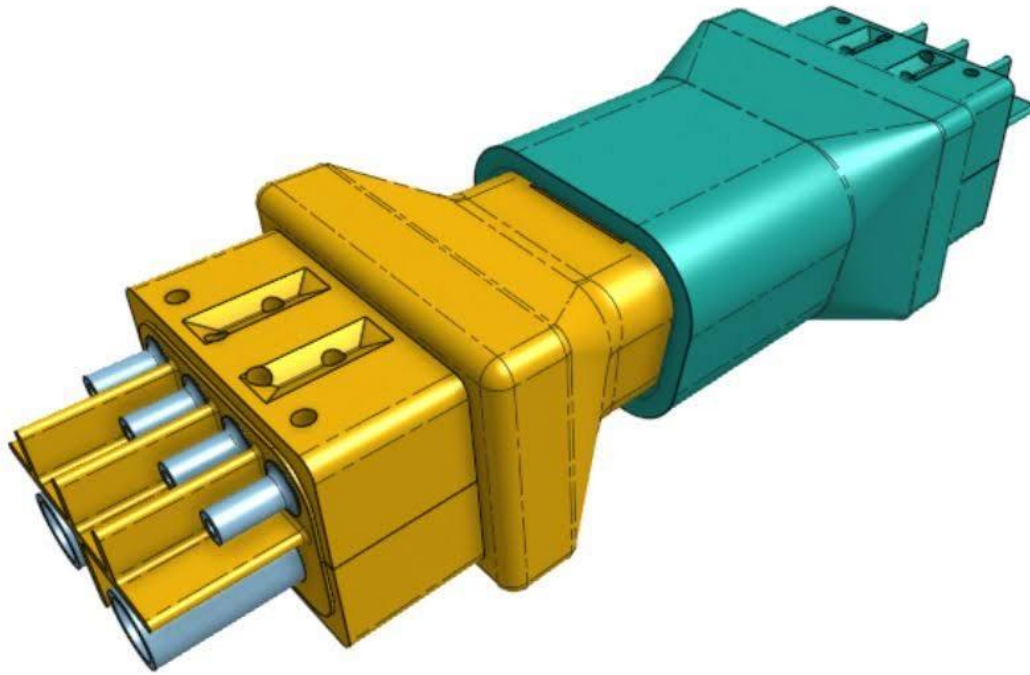
High-quality 270VDC connector cable assemblies to the worlds military market.

Designed and tested to meet the F-35 Lighting II stringent SAE AS7974/5 standard, our 270VDC ground power cable assemblies are used worldwide to support every military branch of service supporting all the F-35, F22 aircraft variants.

MALE portable connector.

PARTNUMBERS

| PART | P/N |
|---------------------------------|-------------|
| 270 VDC portable male connector | ACP270VDC-M |
| | |



High-quality 270VDC connector cable assemblies to the worlds military market. Designed and tested to meet the F-35 Lighting II stringent SAE AS7974/5 standard, our 270VDC ground power cable assemblies are used worldwide to support every military branch of service supporting all the F-35, F22 aircraft variants.

Break Away 270 VDC

PARTNUMBERS

| PART | P/N |
|-----------------------------|---------------------|
| 270 VDC connector breakaway | ACP270VDC-Breakaway |
| | |



High-quality 270VDC connector cable assemblies to the worlds military market.

Designed and tested to meet the F-35 Lighting II stringent SAE AS7974/5 standard, our 270VDC ground power cable assemblies are used worldwide to support every military branch of service supporting all the F-35, F22 aircraft variants.

Male portable receptacle can be used to make extension cords , breakaways.



PARTNUMBERS

| PART | P/N |
|----------------------------------|-------------------|
| 270 VDC male receptacle portable | ACP270VDC-M-RECPT |
| | |



High-quality 270VDC connector cable assemblies to the worlds military market. Designed and tested to meet the F-35 Lighting II stringent SAE AS7974/5 standard, our 270VDC ground power cable assemblies are used worldwide to support every military branch of service supporting all the F-35, F22 aircraft variants.

Break Away 270 VDC

PARTNUMBERS

| PART | P/N |
|-----------------------------|---------------------|
| 270 VDC connector breakaway | ACP270VDC-Breakaway |
| | |



High-quality 270VDC connector cable assemblies to the worlds military market. Designed and tested to meet the F-35 Lighting II stringent SAE AS7974/5 standard, our 270VDC ground power cable assemblies are used worldwide to support every military branch of service supporting all the F-35, F22 aircraft variants.

Dustcover Female 270 VDC – Male receptacle – 270 VDC connector

PARTNUMBERS

| PART | P/N |
|-------------------------|-------------------|
| 270 VDC connector | ACP270VDCC |
| 270 VDC male receptacle | ACP270VDC-M-RECPT |



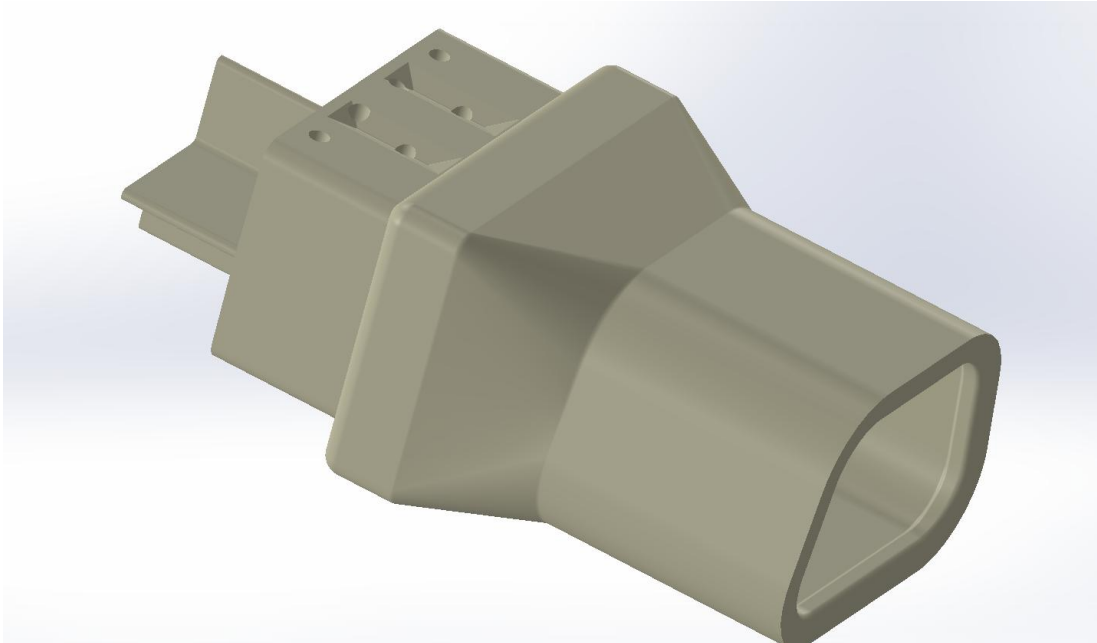
High-quality 270VDC connector cable assemblies to the worlds military market.

Designed and tested to meet the F-35 Lighting II stringent SAE AS7974/5 standard, our 270VDC ground power cable assemblies are used worldwide to support every military branch of service supporting all the F-35, F22 aircraft variants.

Male dust cover

PARTNUMBERS

| PART | P/N |
|-----------------------------------|-----------------------|
| 270 VDC connector male dust cover | ACP270VDC-DUSTCOVER-M |
| | |





Designed and tested to meet the F-35 Lighting II stringent SAE AS7974/5 standard, our 270VDC ground power cable assemblies are used worldwide to support every military branch of service supporting all the F-35, F22 aircraft variants.

Manufactured to specification MIL-C-81790.

Receptacle base is reinforced material for low moisture absorption and high strength

Contacts are machined and silver plated

Studs and contact nuts for lug connections are located at the rear of the receptacle

PARTNUMBERS

| PART | P/N |
|--------------------|--------------|
| 270 VDC Receptacle | ACP270VDC-R2 |
| | |



Designed and tested to meet the F-35 Lighting II stringent SAE AS7974/5 standard, our 270VDC ground power cable assemblies are used worldwide to support every military branch of service supporting all the F-35, F22 aircraft variants.

Manufactured to specification MIL-C-81790.

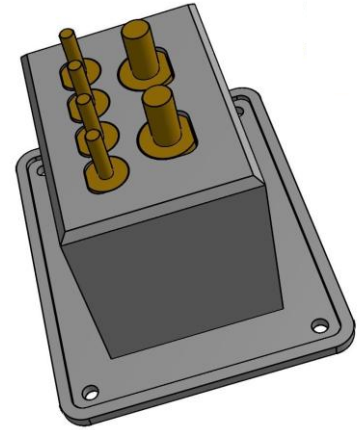
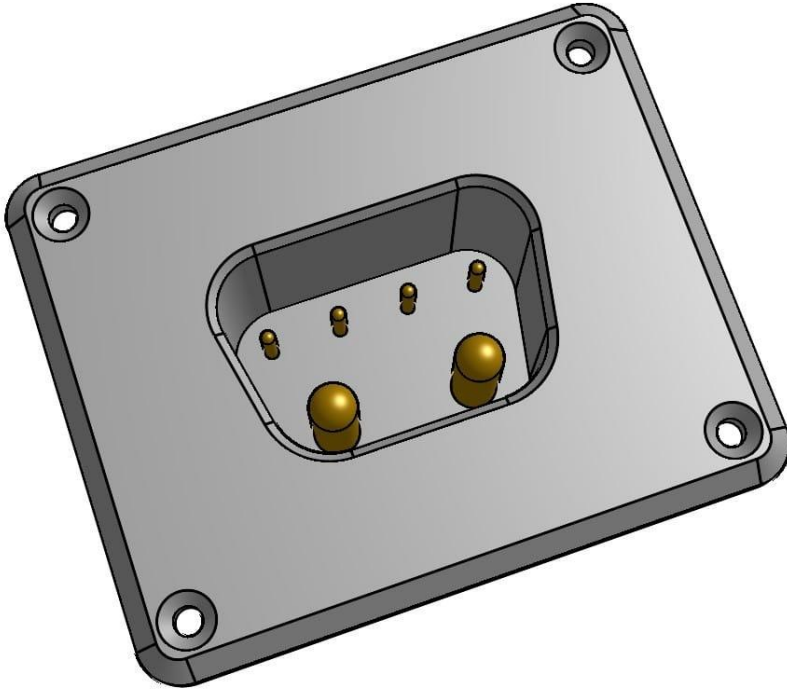
Receptacle base is reinforced material for low moisture absorption and high strength

Contacts are machined and silver plated

Studs and contact nuts for lug connections are located at the rear of the receptacle

PARTNUMBERS

| PART | P/N |
|--------------------|--------------|
| 270 VDC Receptacle | ACP270VDC-R3 |
| | |



Designed and tested to meet the F-35 Lighting II stringent SAE AS7974/5 standard, our 270VDC ground power cable assemblies are used worldwide to support every military branch of service supporting all the F-35, F22 aircraft variants.

Manufactured to specification MIL-C-81790.

Receptacle base is reinforced material for low moisture absorption and high strength

Contacts are machined and silver plated

Studs and contact nuts for lug connections are located at the rear of the receptacle

Low profile

Threaded connections to suit standard lugs

Impact resistant.

Virtual no maintenance.

Interchangeable contacts, pure copper, silver plated.

PARTNUMBER

| PART | P/N |
|--------------------|--------------|
| 270 VDC Receptacle | ACP270VDC-R4 |
| | |



Manufactured to specification MIL-C-81790.
 Receptacle base is reinforced material for low moisture absorption and high strength
 Contacts are machined and silver plated
 Studs and contact nuts for lug connections are located at the rear of the receptacle
 Low profile
 Threaded connections to suit standard lugs
 Impact resistant.
 Virtual no maintenance.
 Interchangeable contacts, pure copper, silver plated.


PARTNUMBER

| PART | P/N |
|---|-------------------|
| 270 VDC GPU connector | ACP270VDC-ACP-600 |
| (optional with switches / Leds / Thermal control) | |



Designed and tested to meet the F-35 Lighting II stringent SAE AS7974/5 standard, our 270VDC ground power cable assemblies are used worldwide to support every military branch of service supporting all the F-35, F22 aircraft variants.

Manufactured to specification MIL-C-81790.

Receptacle base is reinforced material for low moisture absorption and high strength

Contacts are machined and silver plated

Studs and contact nuts for lug connections are located at the rear of the receptacle

Low profile

Threaded connections to suit standard lugs

Impact resistant.

Virtual no maintenance.

Interchangeable contacts, pure copper, silver plated.

PARTNUMBER

| PART | P/N |
|---|-------------------|
| 270 VDC GPU connector | ACP270VDC-ACP-600 |
| (optional with switches / Leds / Thermal control) | |



Designed and tested to meet the F-35 Lighting II stringent SAE AS7974/5 standard, our 270VDC ground power cable assemblies are used worldwide to support every military branch of service supporting all the F-35, F22 aircraft variants.

Manufactured to specification MIL-C-81790.

Receptacle base is reinforced material for low moisture absorption and high strength

Contacts are machined and silver plated

Studs and contact nuts for lug connections are located at the rear of the receptacle

Low profile

Threaded connections to suit standard lugs

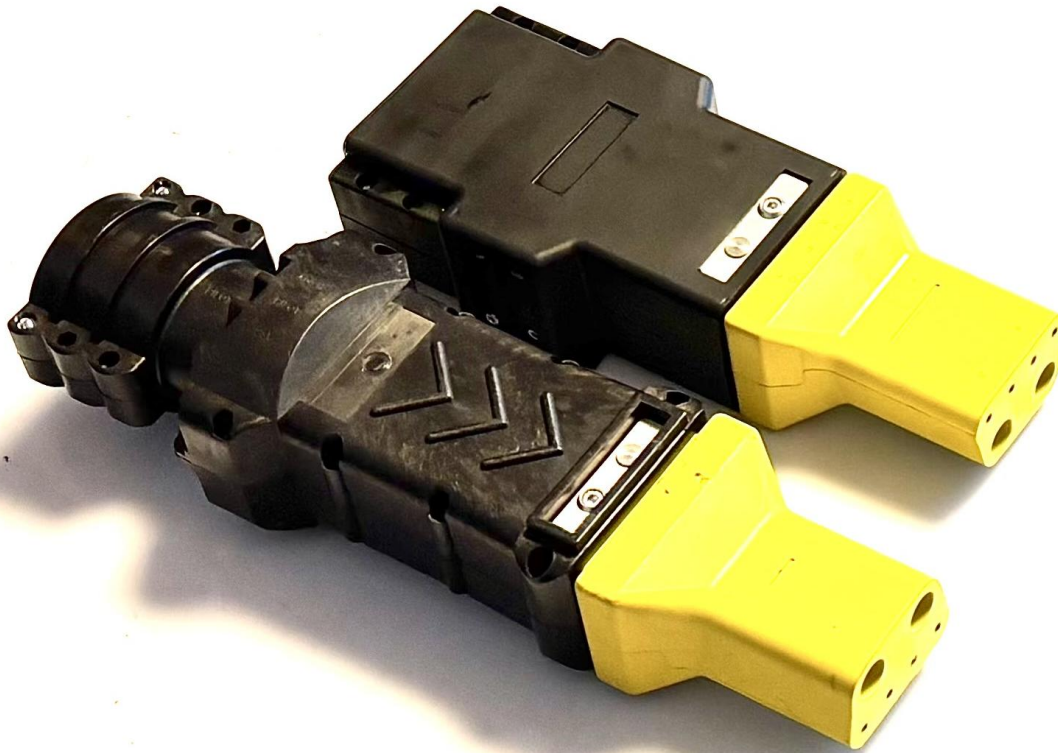
Impact resistant.

Virtual no maintenance.

Interchangeable contacts, pure copper, silver plated.

PARTNUMBER

| PART | P/N |
|---|--------------|
| 270 VDC GPU connector REPLACEABLE WEAR NOSE | ACP270VDC-WN |



Designed and tested to meet the F-35 Lighting II stringent SAE AS7974/5 standard, our 270VDC ground power cable assemblies are used worldwide to support every military branch of service supporting all the F-35, F22 aircraft variants.

Manufactured to specification MIL-C-81790.

Receptacle base is reinforced material for low moisture absorption and high strength

Contacts are machined and silver plated

Studs and contact nuts for lug connections are located at the rear of the receptacle

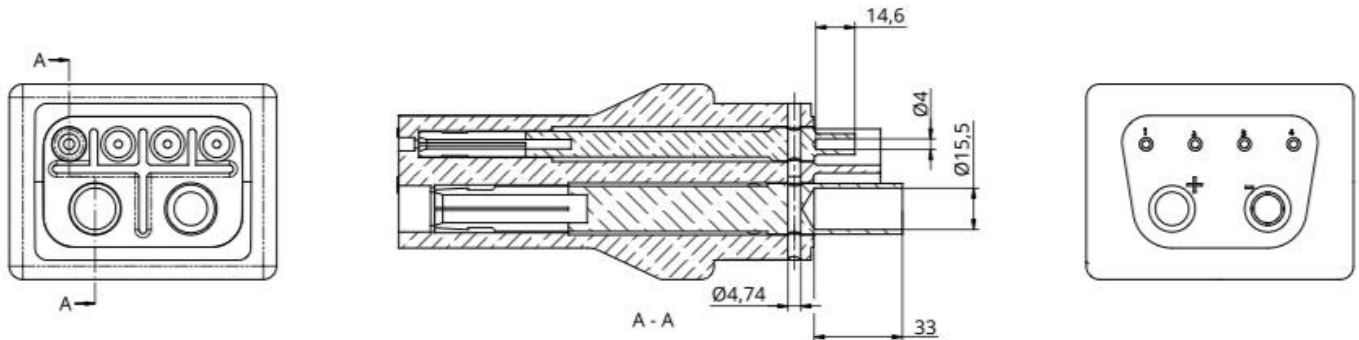
Low profile

Threaded connections to suit standard lugs

Impact resistant.

Virtual no maintenance.

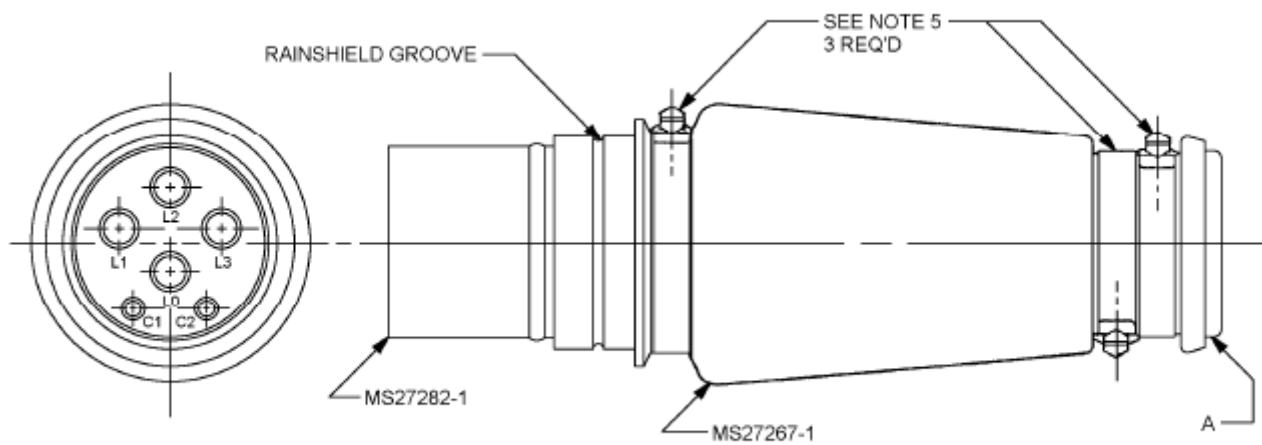
Interchangeable contacts, pure copper, silver plated.



- High impact resistance connector. Ideally suited for any 270 VDC applications, including the F-22 & F-35 aircraft.
- Innovated precision CNC , Silver plated contacts, superior design.
- No maintenance receptacle, for smooth and reliable operations.
- Easy connection to cable.
- Resistant to abrasion, petroleum products & ozone/environmental deterioration
- Ideally suited for most common intelligent fast charging applications
- Industrial strength.
- Meets Lockheed Martin Aeronautics Company Drawing 5PTV6002.
- Meets SAE-AS7974/5
- Supplied with or without cable.
- Integral molded head to ensure no liquids or debris will get into the electrical contact area which could cause an electrical arch or short . There are no metal screws to hold the 270VDC head in place which could cause an electrical short if the head was damaged during use.

PARTNUMBERS

| PART | P/N |
|---|--------------|
| 270 VDC receptacle (without shield and with contacts) | ACP270VDCR |
| 270 VDC female receptacle shield | ACP270VDCR-F |
| 270 VDC main contact | ACP270VDCU |
| 270 VDC sense contact | ACP270VDCV |
| 270 VDC rear cover | ACP270VDCN |

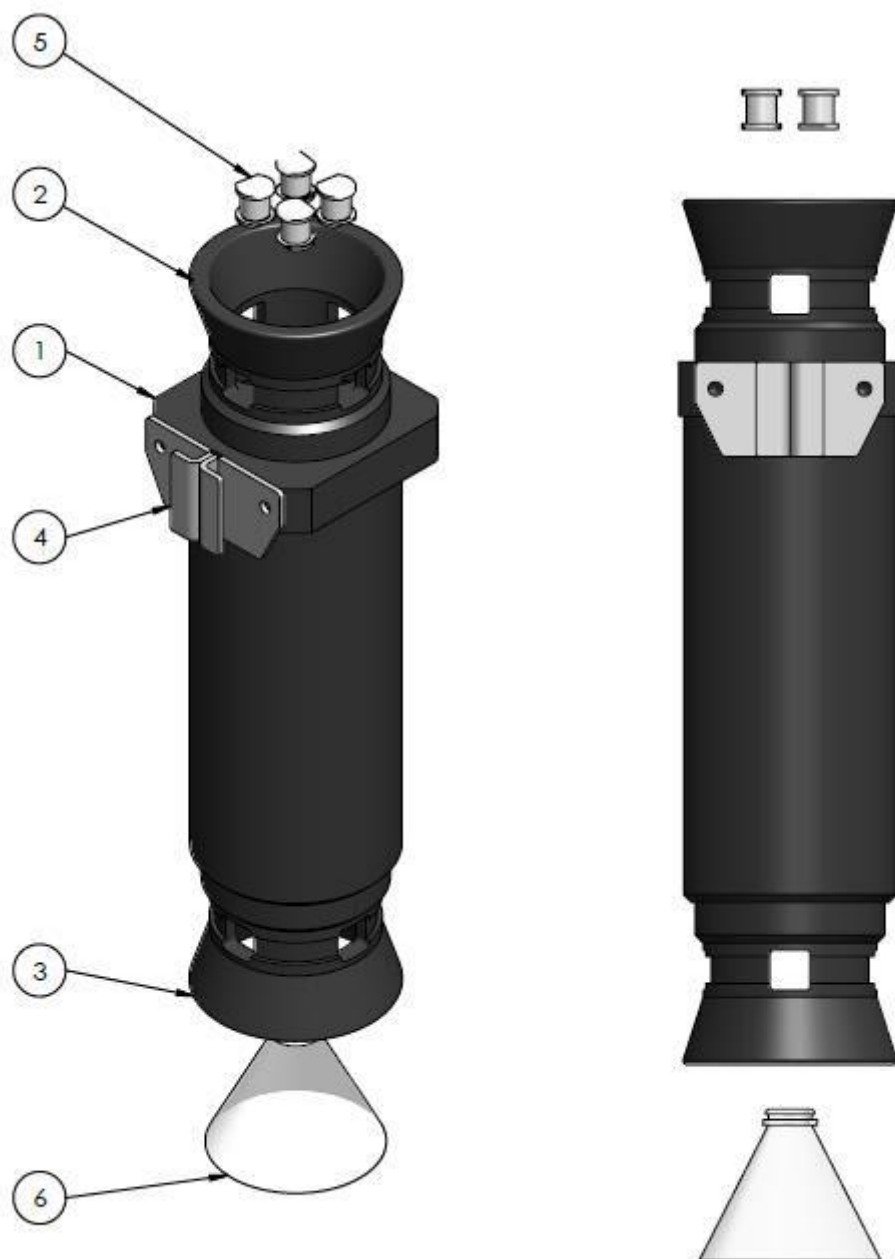


- High impact resistance connector.
- Innovated precision CNC , Silver plated contacts, superior design.
- No maintenance receptacle, for smooth and reliable operations.
- Easy connection to cable.
- Resistant to abrasion, petroleum products & ozone/environmental deterioration
- Industrial strength.
- Meets MS27285
- Supplied with or without cable.

PARTNUMBERS

| PART | P/N |
|---|------------|
| 270 VDC receptacle (without shield and with contacts) | ACPMS27285 |

Portable busbar





GENERAL

- Pin Tension Gauge is used for testing insertion and retraction forces on worn aircraft cable connector.
- The Individual power contacts shall measure 24 lbs maximum insertion (A,B,C,N), extraction 16-24 lbs.; auxiliary contacts shall measure 21lbs max. (E,F).

PROPERTIES

- Silver plated test pins included.
- Including test pins and sockets.
- Easy interchangeable pins and sockets.
- Test your connectors and receptacles accurate, can be mounted on a stand. (or hand operated).
- Turnable display: automatic direction identification
- Secure operability due to ergonomic design.
- Real time or Peak Hold Mode to observe transients or capture peaks.
- Selectable measuring units: N, lb, kg, oz.
- Auto power off.

PARTNUMBERS

| PART | Configuration |
|--------|--|
| ACPDFM | Aircraftplugs digital force meter including all pins and sockets. |
| ACPAFM | Aircraftplugs analogue force meter including all pins and sockets. |



GENERAL

- Pin Tension Gauge is used for testing insertion and retraction forces on worn aircraft cable connector.
- The Individual power contacts shall measure 24 lbs maximum insertion (A,B,C,N), extraction 16-24 lbs.; auxiliary contacts shall measure 21lbs max. (E,F).

PROPERTIES

- Silver plated test pins included.
- Including test pins and sockets.
- Easy interchangeable pins and sockets.
- Test your connectors and receptacles accurate, can be mounted on a stand. (or hand operated)..
- Real time or Peak Hold Mode to observe transients or capture peaks.

PARTNUMBERS

| PART | Configuration |
|--------|--|
| ACPDFM | Aircraftplugs digital force meter including all pins and sockets. |
| ACPAFM | Aircraftplugs analogue force meter including all pins and sockets. |

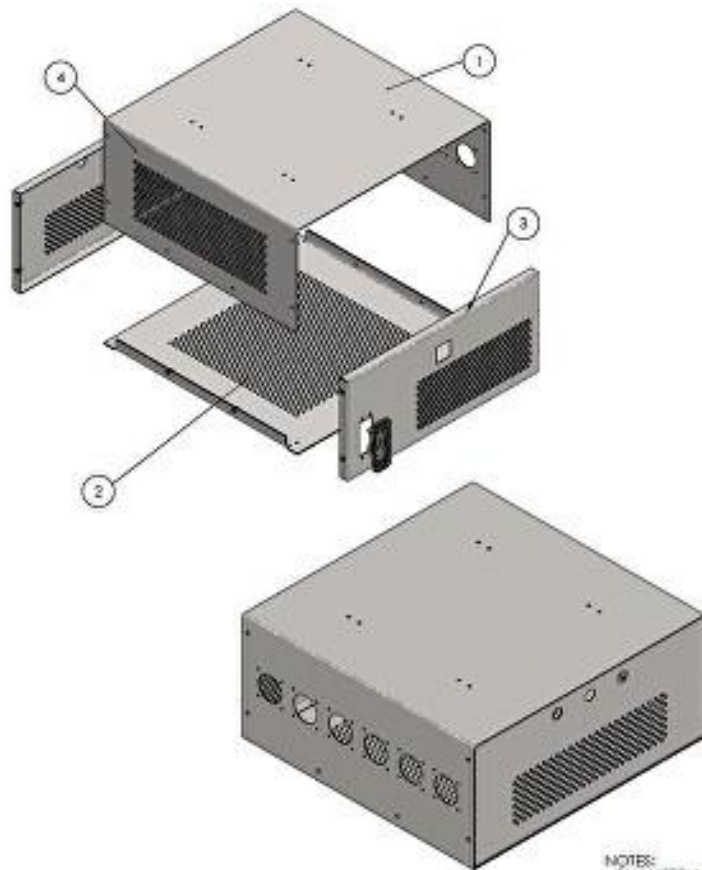


GENERAL

- Visit our sister company website for full details www.aero-pac.Com

PROPERTIES

Low ripple
Overvoltage protection
Reverse current protection
Auto cooling fan.
AN2551 connectors with long lead.



NOTES:
- CHAMFER ALL !!

PROPERTIES

We design enclosures on request, or made according to your drawing.
In aluminium or metal sheet.
Welded or screw together, powder coated into your color.
We perform the electrical inside installation on request.



GENERAL

- Nominal operating voltage: 12V/24V
- Max. continuous operating current: 100A
- Max. peak current: 500A for 5secs
- Ingress Protection (IP) rating: IP43 (solid objects >1mm and spraying water)
- Operating temp: -40°C to +50°C
- Terminal contact material: Copper
- Nut material: Zinc-plated steel
- Terminal stud size: M8 x 13mm
- Panel hole size for barrel clearance: 23mm
- Fixing hole dia: 6.6mm
- Fixing hole pitch: 38mm
- Overall height (inc. key): 106mm
- Diameter of body: 58mm
- Optional with locking key.

PARTNUMBERS

| PLUG PART | Description |
|-----------|---|
| ACPBSC-1 | Battery main switch – removable key |
| ACPBSC-2 | Battery main switch – non removable key |
| ACPBSC-3 | Battery main switch – with lock |



GENERAL

- 3 LED battery level indicator that can be used for monitoring the voltage level of 12V or 24V

PARTNUMBERS

| PLUG PART | Configuration |
|------------|------------------------|
| ACPBATT12V | 12 V battery indicator |
| ACPBATT24V | 24 V battery indicator |


GENERAL

- Battery cables provide the vital link between the battery, load and charging system.
- Faulty connections can lead to poor system performance,

PARTNUMBERS

| PLUG PART | Cable section | CABLE section |
|-----------|-------------------------------|---------------|
| ACPBCPL-1 | 14 AWG – 1mm ² | 20 A |
| ACPBCPL-1 | 12 AWG – 3 mm ² | 30 A |
| ACPBCPL-1 | 10 AWG - 5 mm ² | 40 A |
| ACPBCPL-1 | 8 AWG - 10 mm ² | 55 A |
| ACPBCPL-1 | 6 AWG – 15 mm ² | 75 A |
| ACP3P6 | 4 AWG – 25 mm ² | 95 A |
| ACP3P7 | 2 AWG - 35 mm ² | 130 A |
| ACP3P8 | 1 AWG – 40 mm ² | 150 A |
| ACP3P9 | 1/0 AWG – 55 mm ² | 170 A |
| ACP3P9 | 2/0 AWG – 70 mm ² | 265 A |
| ACP3P9 | 4/0 AWG – 110 mm ² | 360 A |



GENERAL

- Large stock
- Pure copper or brass.
- CNC machined if required and cut and bended according to your drawing.

| PART | sizes | Standard length |
|--------|----------------------------------|-----------------|
| Round | 4 till 200 mm | 4 m |
| Bars | 6x6 till 80 x 40 mm | 4 m |
| Plates | Thickness from 0,3 mm till 80 mm | 1 m or 2 m |


GENERAL

- Aircraftplugs connectors are genderless - two identical connectors are mated by turning one of them through 180 degrees and pushing them together. There are no male or female contacts. The high power contacts must be connected to the cable and inserted in the housings in order to connect the two connectors. This is because flat wipe Aircraftplugs connector type contacts are held in place by a spring that is depressed by the insertion of a contact.

PARTNUMBERS

| PLUG PART | Amperage | Description |
|-----------|----------|-------------------|
| ACPBPC-1 | 50 A | Grey – dual poles |
| ACPBPC-2 | 50 A | Red – dual poles |
| ACPBPC-3 | 175 A | Grey – dual poles |
| ACPBPC-4 | 175 A | Red – dual poles |
| ACPBPC-5 | Handle | Red insert handle |
| ACPBPC-6 | 350 A | Grey – dual poles |
| ACPBPC-7 | 350 A | Red – dual poles |
| ACPBPC-8 | 600 A | Grey – dual poles |
| ACPBPC-9 | 600 A | Red – dual poles |

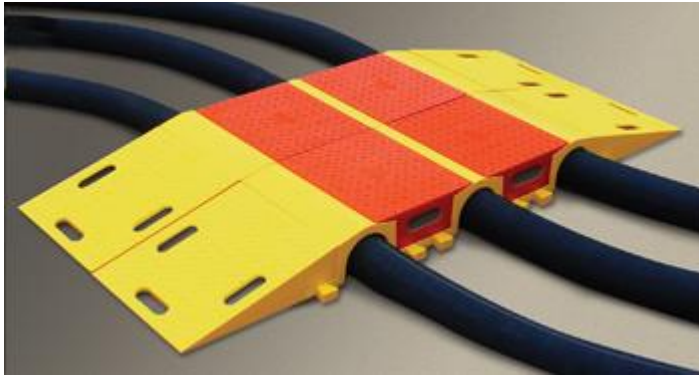
Not all partnumbers / configurations are listed, check with sales@aircraftplugs.com for specific requirements.

**GENERAL**

- Our compression lugs are manufactured from high-conductivity seamless copper tube to EN 12735 with a purity greater than 99.5% each product is designed to meet the requirements of BS4579 Part 3 when used with the appropriate die set/compression tool combination.
- For copper and aluminium cables

PART NUMBER

| PART no | Cable section | Fixing bolt |
|----------|---------------------|---------------------------------|
| ACPL-10 | 10 mm ² | Available for M6/M8/M10 |
| ACPL-16 | 16 mm ² | Available for M6/M8/M10 |
| ACPL-25 | 25 mm ² | Available for M6/M8/M10/M12/M14 |
| ACPL-36 | 36 mm ² | Available for M6/M8/M10/M12/M14 |
| ACPL-50 | 50 mm ² | Available for M6/M8/M10/M12/M14 |
| ACPL-70 | 70 mm ² | Available for M6/M8/M10/M12/M14 |
| ACPL-90 | 90 mm ² | Available for M6/M8/M10/M12/M14 |
| ACPL-120 | 120 mm ² | Available for M6/M8/M10/M12/M14 |



GENERAL

- Cable protectors from aircraftplugs are designed to create a safe environment where volumes of pedestrians and vehicle traffic are high , mainly for airport usage.
- Different cable sections max 120 mm²
- Rubber or pvc.
- Specify requested length

PARTNUMBERS

| PLUG PART | Configuration |
|-----------|---------------------------|
| ACPPP-1 | 25mm ² cable |
| ACPPP-2 | 50 mm ² cable |
| ACPPP-3 | 70 mm ² cable |
| ACPPP-4 | 90 mm ² cable |
| ACPPP-5 | 120 mm ² cable |



GENERAL

- Make cable identification a breeze with these wire markers, self-laminating cable labels, marker eze with these wire markers, self-laminating cable labels, marker

PARTNUMBERS

Different solutions check with sales@aircraftplugs.Com



- wide [operating temperature](#) range (-55 to 175 °C),
- low [coefficient of friction](#),
- high resistance to chemicals and punctures
- Crimping ratio 2 : 1 minimum. (large sections have glue inside)

| Part no. | Section diameter |
|----------|-----------------------------------|
| ACPCK-1 | 1,6 : 0,8 mm |
| ACPCK-2 | 3,2 : 1,6 mm |
| ACPCK-3 | 6,4 : 3,2 mm |
| ACPCK-4 | 12,7 : 6,3 mm |
| ACPCK-5 | 25,4 : 12 mm (optional with glue) |
| ACPCK-6 | 50,8 : 25 mm (with glue) |
| ACPCK-7 | 75 : 37 mm (with glue) |
| ACPCK-8 | 100 : 50 mm (with glue) |
| ACPCK-9 | 150 : 75 mm (with glue) |



- Battery drain / vent tubes.
- When a battery is charged and discharged, water contained in the electrolyte is decomposed, generating hydrogen and oxygen gases. These gases are vented out of the battery through the exhaust vent tube to prevent potentially damaging high pressure gas accumulation.

| Part no. | Section diameter (outer / inner diameter) |
|----------|---|
| ACPVENT1 | 7 : 5 mm |
| ACPVENT2 | 8 : 6 mm |
| ACPVENT3 | 11 : 8 mm |



GENERAL

- reduce the drag of the cable making it more efficient to move the cable into place.

PARTNUMBERS

| PLUG PART | CABLE section |
|--------------|-------------------|
| ACPPROTECT-1 | Scuff Rings-400Hz |
| ACPPROTECT-2 | Scuff Rings-400Hz |
| ACPSTRAP | Cable strap |



GENERAL

- Aircraftplugs make spring operated cable reeling drums are powered with springs and has an automatic rewind feature which provides an extremely simple way of supplying power to machines such as cranes and hoists. These spring cable reeling drums are used for both AC and DC applications. These reels recovers and store the cable in multiple layers on the drum.

Standard reels are supplied for the cable fed in the clockwise direction, when viewed from the slipping side. The same can be provided for anticlockwise feed of cable also. These reels are extremely simple to mount, and can be mounted on the structure with the help of a supporting flange - If no suitable structure is available, then Unbalanced Vibrator Motor a bracket can be connected to the flange and this can be fixed to the floor or tray etc.

The springs used in these reels are manufactured from the highest quality materials and are of clock spring type. A wide range of characteristics can be obtained by assembling these springs singly or in series or in parallel.

- Request more information : sales@aircraftplugs.com



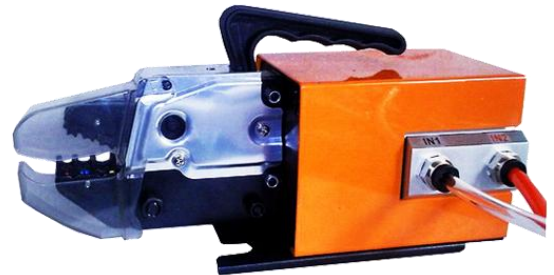
GENERAL

- Aircraftplugs make spring operated cable reeling drums are powered with springs and has an automatic rewind feature which provides an extremely simple way of supplying power to machines such as cranes and hoists. These spring cable reeling drums are used for both AC and DC applications. These reels recovers and store the cable in multiple layerson the drum.

Standard reels are supplied for the cable fed in the clockwise direction, when viewed from the slipping side. The same can be provided for anticlockwise feed of cable also. These reels are extremely simple to mount, and can be mounted on the structure with the help of a supporting flange - If no suitable structure is available, then Unbalanced Vibrator Motor a bracket can be connected to the flange and this can be fixed to the floor or tray etc.

The springs used in these reels are manufactured from the highest quality materials and are of clock spring type. A wide range of characteristics can be obtained by assembling these springs singly or in series or in parallel.

- Request more information : sales@aircraftplugs.com



GENERAL

- Aircraftplugs make spring operated cable reeling drums are powered with springs and has an automatic rewind feature which provides an extremely simple way of supplying power to machines such as cranes and hoists. These spring cable reeling drums are used for both AC and DC applications. These reels recovers and store the cable in multiple layerson the drum.

Standard reels are supplied for the cable fed in the clockwise direction, when viewed from the slipping side. The same can be provided for anticlockwise feed of cable also. These reels are extremely simple to mount, and can be mounted on the structure with the help of a supporting flange - If no suitable structure is available, then Unbalanced Vibrator Motor a bracket can be connected to the flange and this can be fixed to the floor or tray etc.

The springs used in these reels are manufactured from the highest quality materials and are of clock spring type. A wide range of characteristics can be obtained by assembling these springs singly or in series or in parallel.

- Request more information : sales@aircraftplugs.com



GENERAL

- Request more information : sales@aircraftplugs.com



GENERAL

- For fueling or maintenance operations and complies with mil-spec M83413/7-1
- MS-3493-5
-

- Request more information : sales@aircraftplugs.com





GENERAL

- NAS shear bolts have a distinctive thin style, dimpled hex head and short thread. To be used in only shear applications with no threads exposed in the shear
- Request more information : sales@aircraftplugs.com



GENERAL

- Request more information : sales@aircraftplugs.com



GENERAL

- Currently, our maximum turning capacity is 31.5" O.D. by 34" long. Our machining capacity is 50" wide x 40" long x 17" high and 2,500 pounds. A look at our state-of-the-art CNC machined part facility will show:
- CNC Live Tooling
- Turning Centers
- Sub Spindle Technology
- Cell Manufacturing
- CNC Machining Centers
- Bar Feed Machining Cells
- Auto Loading Robotic Turning Centers



GENERAL

- Aircraftplugs make spring operated cable reeling drums are powered with springs and has an automatic rewind feature which provides an extremely simple way of supplying power to machines such as cranes and hoists. These spring cable reeling drums are used for both AC and DC applications. These reels recovers and store the cable in multiple layers on the drum.

Standard reels are supplied for the cable fed in the clockwise direction, when viewed from the slipping side. The same can be provided for anticlockwise feed of cable also. These reels are extremely simple to mount, and can be mounted on the structure with the help of a supporting flange - If no suitable structure is available, then Unbalanced Vibrator Motor a bracket can be connected to the flange and this can be fixed to the floor or tray etc.

The springs used in these reels are manufactured from the highest quality materials and are of clock spring type. A wide range of characteristics can be obtained by assembling these springs singly or in series or in parallel.

- Request more information : sales@aircraftplugs.com

Male BNC**Female BNC****Male TNC****Female TNC****GENERAL**

- Aircraftplugs make spring operated cable reeling drums are powered with springs and has an automatic rewind feature which provides an extremely simple way of supplying power to machines such as cranes and hoists. These spring cable reeling drums are used for both AC and DC applications. These reels recovers and store the cable in multiple layers on the drum.

Standard reels are supplied for the cable fed in the clockwise direction, when viewed from the slipping side. The same can be provided for anticlockwise feed of cable also. These reels are extremely simple to mount, and can be mounted on the structure with the help of a supporting flange - If no suitable structure is available, then Unbalanced Vibrator Motor a bracket can be connected to the flange and this can be fixed to the floor or tray etc.

The springs used in these reels are manufactured from the highest quality materials and are of clock spring type. A wide range of characteristics can be obtained by assembling these springs singly or in series or in parallel.

- Request more information : sales@aircraftplugs.com



GENERAL

- Aircraftplugs make spring operated cable reeling drums are powered with springs and has an automatic rewind feature which provides an extremely simple way of supplying power to machines such as cranes and hoists. These spring cable reeling drums are used for both AC and DC applications. These reels recovers and store the cable in multiple layers on the drum.

Standard reels are supplied for the cable fed in the clockwise direction, when viewed from the slipping side. The same can be provided for anticlockwise feed of cable also. These reels are extremely simple to mount, and can be mounted on the structure with the help of a supporting flange - If no suitable structure is available, then Unbalanced Vibrator Motor a bracket can be connected to the flange and this can be fixed to the floor or tray etc.

The springs used in these reels are manufactured from the highest quality materials and are of clock spring type. A wide range of characteristics can be obtained by assembling these springs singly or in series or in parallel.

- Request more information : sales@aircraftplugs.com



Technical data

- Aircraftplugs GPU testers for AC and DC.
- Tailor made solutions available.
- Send an email to info@aircraftplugs.com for more information.



Technical data

- Alternate Part Numbers: MS3493-1 MS3493-2 MS3493-5 M83413/4-1 41A6907 69B52267
- Military Standard: MIL-C-83413/4
- NSN: 5935-00-572-5174
- Send an email to info@aircraftplugs.com for more information.

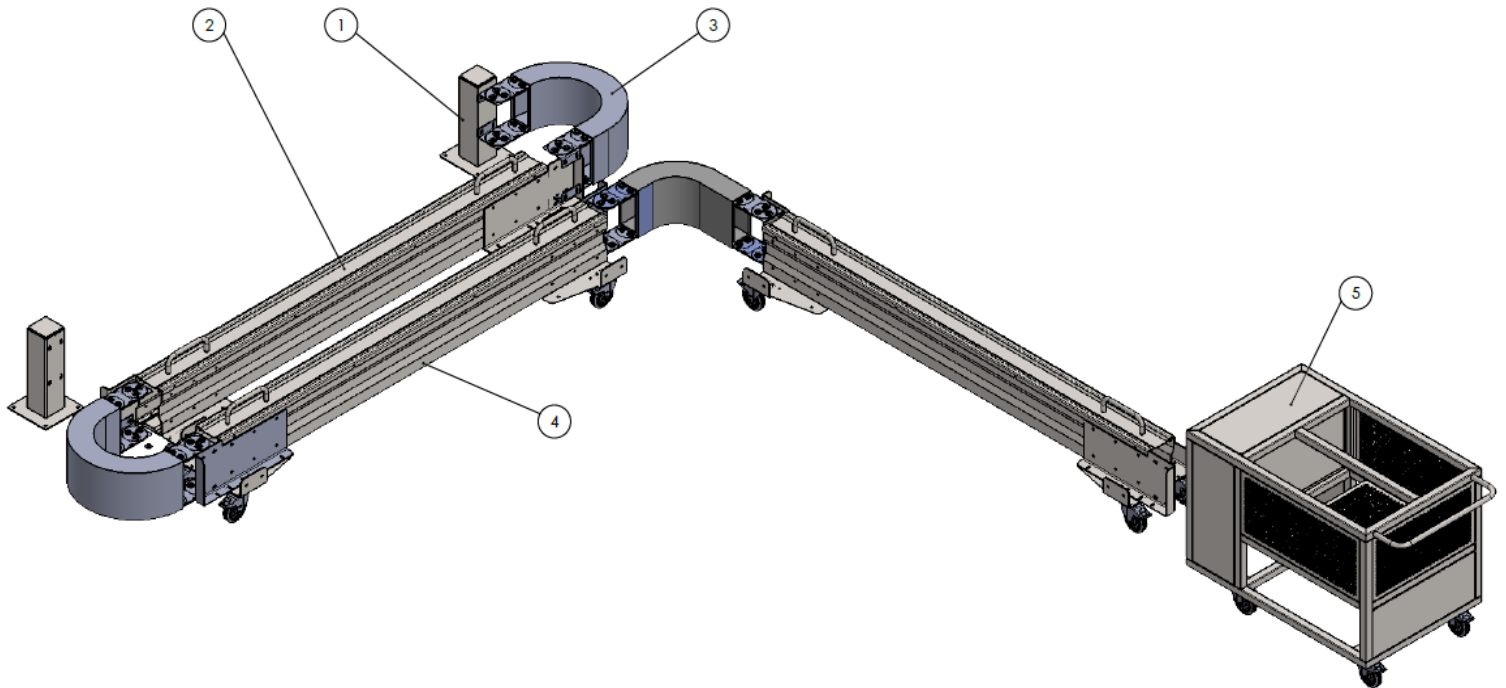


[More information](#)

- Do you look for PCA adapters , Airstart couplings , LAV – Water 1 inch $\frac{3}{4}$ inch couplings, we produce them and have large stock.







More information

- Please contact our sales team for crocodile cable carriers , tailor made solutions.



More information

- The Aircraftplugs-tite aperture has been designed and engineered to give the plug greater compression than standard solid plugs ensuring a perfect seal whilst still being able to cut to size if needed.
- Greater resistance to most oils within temperature range from -25°C up to 90°C
- Does not shrink, leak or discolor
- Resistant to sunlight for greater shelf life, does not split/crack or deteriorate
- Easy to use. Insert, squeeze, press home and release
- The compressed rubber ensures a tight fit.
- Large stock levels.

Main usage
Designed and used to prevent the leakage and contamination of various fluids, including hydraulics, and chemicals, during the service, maintenance, and storage of machinery and equipment. The Aircraftplugs-tite aperture has been designed and engineered to give the plug greater compression than standard solid plugs ensuring a perfect seal whilst still being able to cut to size if needed. Used in Industrial areas such as hydraulic, chemical, processing, MRO, HVAC, Mining, Heavy equipment.



More information

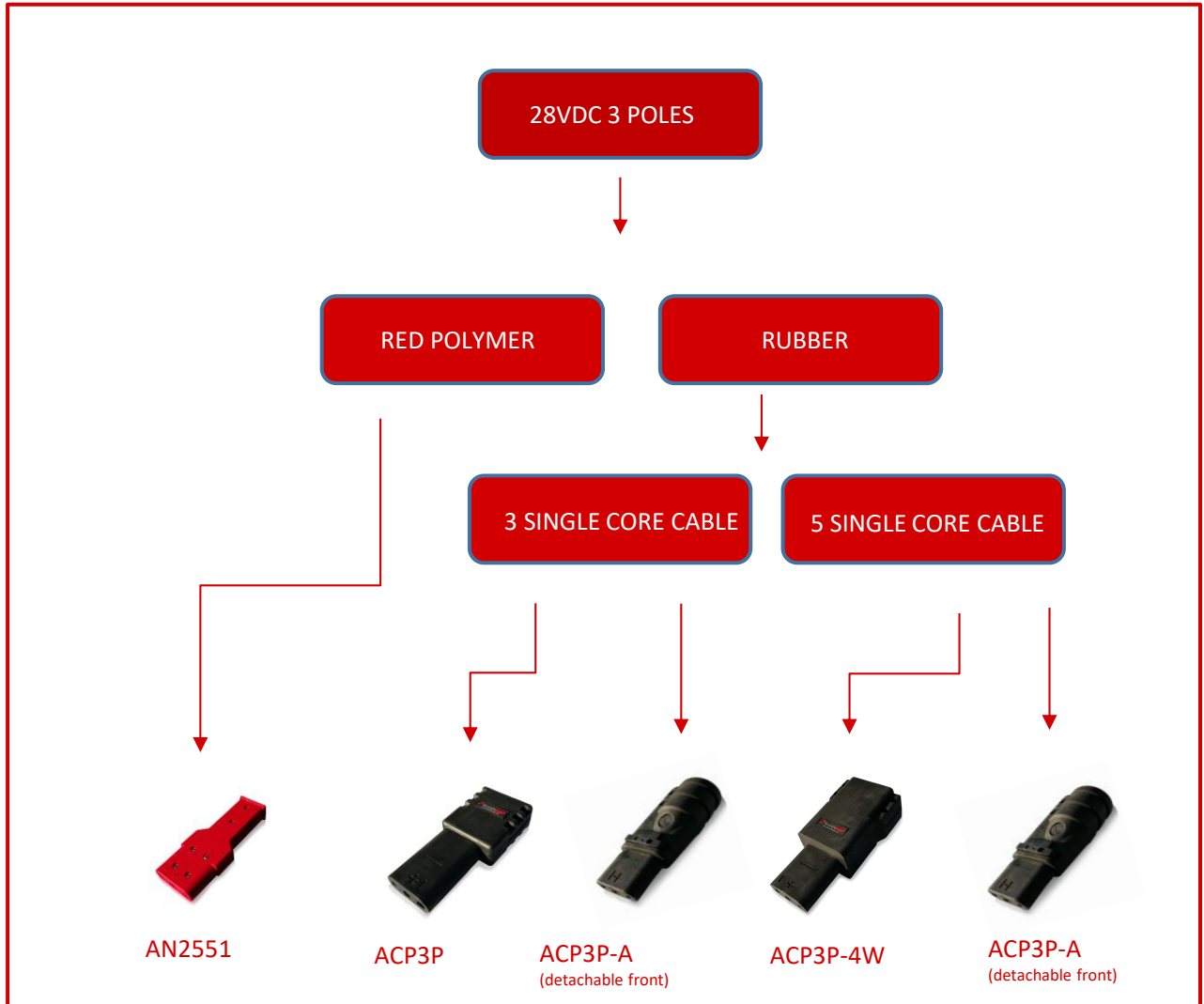
- Do you look for key gadget holder with your company brand on it, or other publicity material in rubber. Or you need rubber seal or technical rubber product. We produce all kinds of precision rubber molded components and rubber-to-metal bonded assemblies at competitive pricing. We do also welcome small series.

AWG to mm2 conversion table

| SIZE AWG OR MCM | Mm2 | Aprox. Diameter | Maximum amps Single conductor copper (NFPA) |
|--------------------|-------|-----------------|---|
| 20 | 0,52 | ,97 | 7 |
| 18 | 0,82 | 1,22 | 10 |
| 16 | 1,31 | 1,52 | 15 |
| 14 | 2,08 | 1,98 | 20 |
| 12 | 3,31 | 2,57 | 25 |
| 10 | 5,26 | 3,2 | 40 |
| 8 | 8,37 | 4,11 | 65 |
| 6 | 13,3 | 5,46 | 95 |
| 4 | 21,15 | 6,83 | 125 |
| 2 | 33,62 | 8,56 | 170 |
| 1 | 42,41 | 9,55 | 195 |
| 1/0 | 53,50 | 10,74 | 230 |
| 2/0 | 67,43 | 12,9 | 265 |
| 3/0 | 85,01 | 14,63 | 310 |
| 4/0 | 107,2 | 16,38 | 360 |
| 250 | 126,7 | 18,11 | 405 |
| 300 | 152,0 | 19,51 | 445 |
| 500 | 253,4 | 25,32 | 620 |
| 750 | 380,0 | 30,66 | 785 |
| 1000 | 506,7 | 35,66 | 935 |

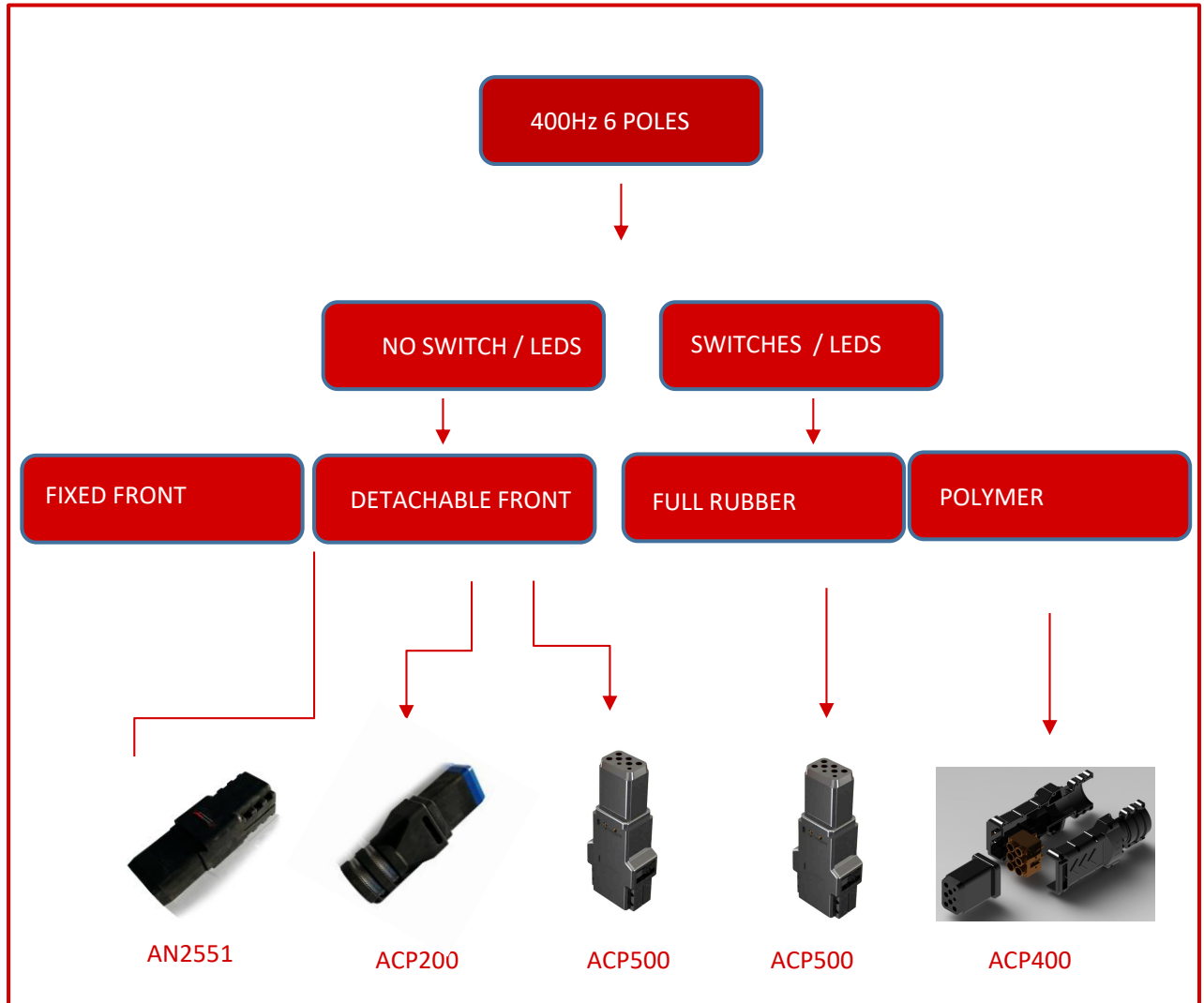


28VDC PLUG SELECTOR



Connect with confidence
Disconnect in safety

400Hz PLUG SELECTOR



Connect with confidence
Disconnect in safety



Aircraftplugs®

Distributed by

Aircraftplugs®

Kruisboommolestraat 7/9
Industrialpark strohof
B-8800 Roeselare
Belgium



Aircraftplugs®

The drawings, images, and information are the property of Aircraftplugs®. Any publication, duplication, disclosure, or any use not authorized by Aircraftplugs® is prohibited. patented by DAVIATION BVBA