



Aircraftplugs®

Producer of ground power connectors



Connect with confidence
Disconnect in safety

Aircraftplugs®

Kruisboommolestraat 7/9
Industrialpark strohof - B-8800 Roeselare
BELGIUM



Aircraftplugs®

Connect with Confidence, Disconnect in Safety with Aircraftplugs®

Aircraftplugs® manufactures aircraft and helicopter power connectors Worldwide deliveries

Aircraftplugs advantages

- minimum structure for maximum efficiency
- strategic locations around the world and fast distribution
- hi-tech production equipment
- orders tailored to the customer's needs
- competitive prices
- expansive international reputation and no-nonsense style
- Every delivery comes with the technical data sheets and certificates
- Performance and dimensions to Mil spec, ISO, and appropriate MOD (Air)and NSN Standards



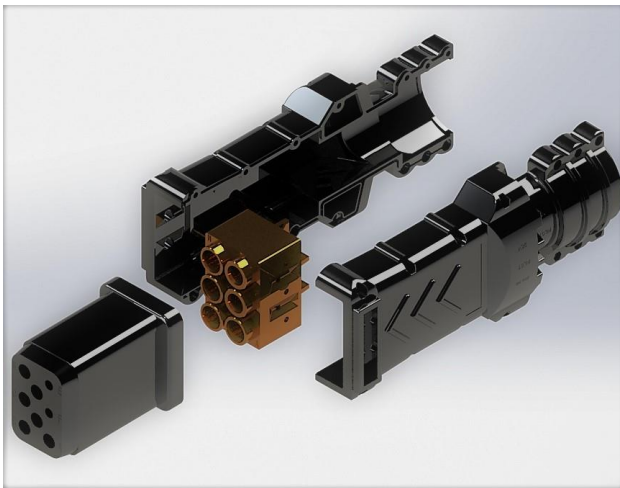
Your green, reliable partner in Aviation Connectors

 Aircraftplugs®



ABOUT US

- Aircraftplugs, develops, tests and manufactures battery connectors, DC and AC 400 Hz. connectors and assemblies for the aeronautical industries. (Airports, Handling companies, Airlines and private users.)
- Deliveries throughout Europe and the rest of the world are prompt and right on time.
- Aircraftplugs is a Belgium based company established in 1997 and started with the mass production in 2007. We managed to increase business together with the expansion of the production facilities, warehouses and up-to-date testing facilities in a short period of time.
- We stand for top quality products, client first service and worldwide on-time deliveries.
- With over 25 years of experience in the airline industry.
- We do have a 6000 m² productions site, with state of the art CNC machinery and own testing facilities. Own molding and injection machines.
- More than 100.000 connectors in stock at all times.

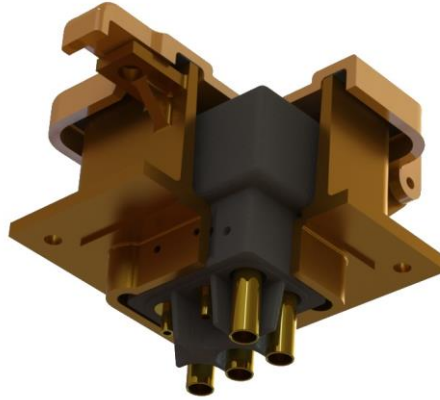
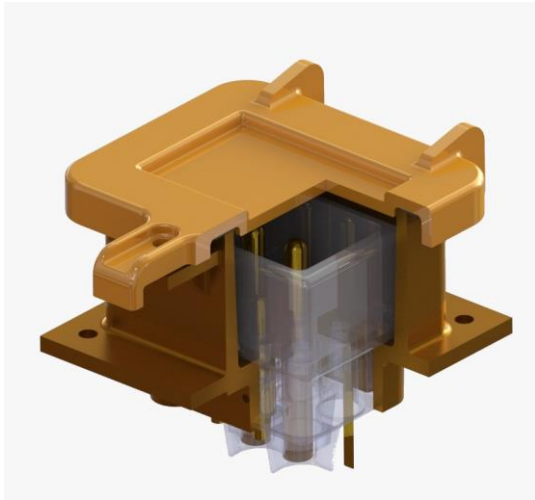




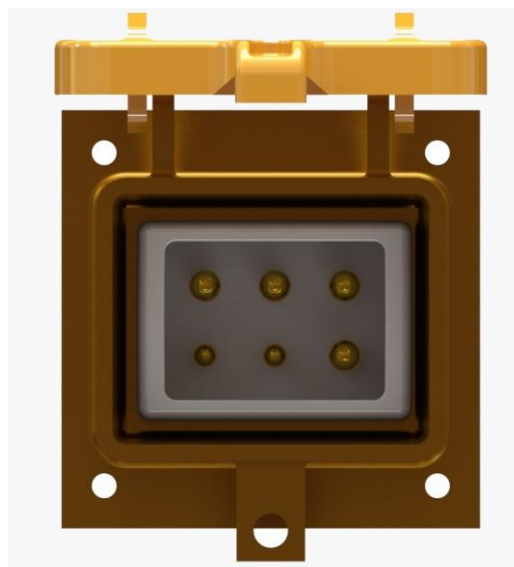
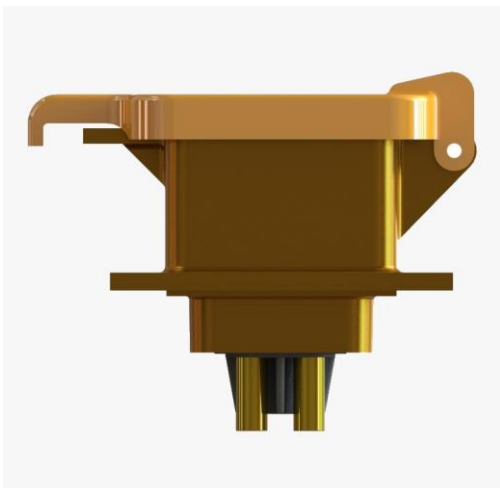
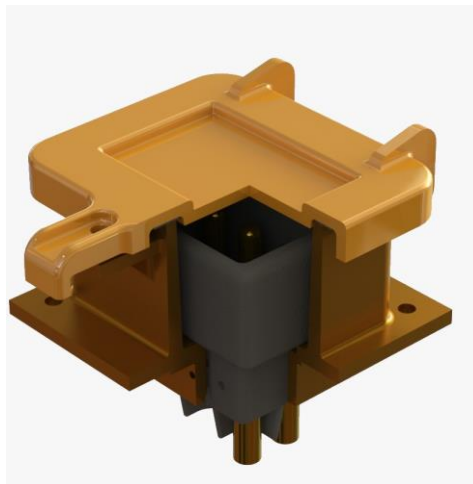
Clients Testimonial :

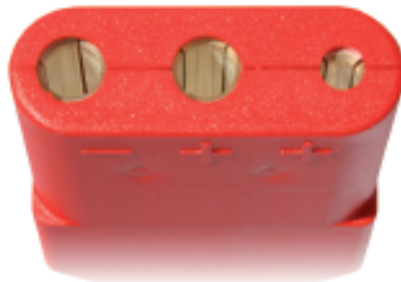
"Our global search for the best connector for our aviation ground power units led us to Aircraftplugs.

All of our efforts to provide stable, clean airframe power ultimately depends on a solid, reliable connection to the aircraft. That's why we use Aircraftplugs connectors exclusively for our GPUs... the best quality, the best value, and a reliable business partner for 8 years now."



28VDC – 400 Hz sockets – receptacles available in stock | Optional in own color



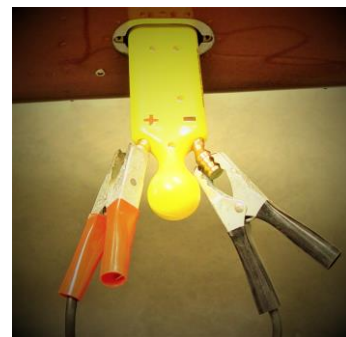


Contents

Aircraftplugs® INDEX	
Aircraftplugs® AN2551	
Aircraftplugs® 3-POLE 28VDC	
Aircraftplugs® Rubber 6-POLE 400Hz	
Aircraftplugs® 12 Volt piper plugs	
Aircraftplugs® Receptables	
Aircraftplugs® Portable Receptables	
Aircraftplugs® 6-POLE replaceable contacts with leds thermal control switche	
Aircraftplugs® 400Hz Cables	
Aircraftplugs® MIL-DTL connectors	
Conversion table	

See our Website www.aircraftplugs.com for latest updates.





PROPERTIES

Perfect solution for battery chargers , testing power supplies.

Mates with the AN2552-3A external power receptacle.

Screws together in seconds

Portable unit which can be carried in the aircraft at all times because it is so lightweight.

It can be used to start the aircraft from an ordinary car using standard jumper cables.

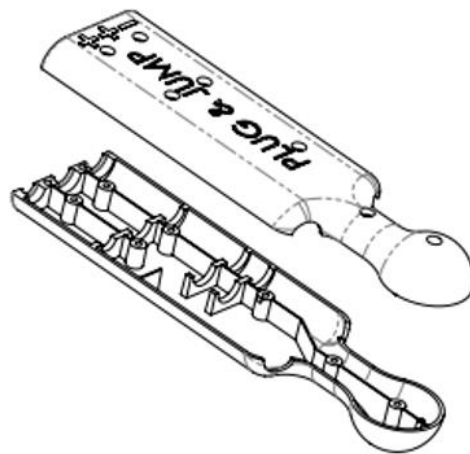
Is a simple conduit of power from any external power source to the aircraft.

It is not a battery in and of itself. The Plug n Jump can be used for either 28V or 14V systems

240A continuous, peak 1500 Amps, control contact 35 A continuous

PARTNUMBERS

PLUG PART	Configuration
ACPJ&P	Complete plug & jump universal model.
ACPJ&P-A	plug & jump universal model housing.
ACPJ&P-B	plug & jump universal model aux contact.
ACPJ&P-C	plug & jump universal model main contact
ACPJ&P-D	plug & jump universal model with crocodile clamps.
ACPJ&P-P	plug & jump piper model





PROPERTIES

450 A continuous , 1500 A for 1 minute,
 Mates with the piper external power receptacle.
 Cable assemblies to client requirements available.
 Do not use unattended, standard Piper plug with cable is recommended.

PARTNUMBERS

PLUG PART	Configuration
ACPJ&P	Complete plug & jump universal model.
ACPJ&P-A	plug & jump universal model housing.
ACPJ&P-B	plug & jump universal model aux contact.
ACPJ&P-C	plug & jump universal model main contact
ACPJ&P-D	plug & jump universal model with crocodile clamps.
ACPJ&P-P	plug & jump Piper model

Aircraftplugs® AN2551 Connectors



GENERAL - ADVANTAGES

- Ergonomic and high impact resistance, polycarbonate external power connector.
- 3 PIN NATO AN2551 external power connector for 12V / 24V or 28VDC application
- Patented connector worldwide in usage.
- Mates with AN2552 receptacle.
- Black rubber variant available.
- Quality durable silver plated contacts.

PROPERTIES

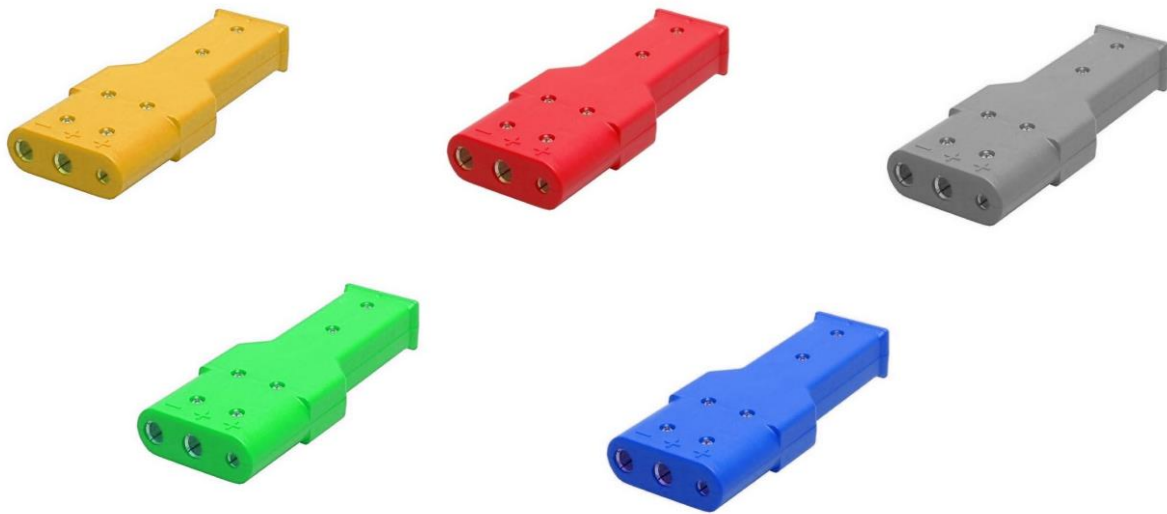
Hardness 13800psi, max. recommended cable for '0' AWG (50 mm²) .
Mates with the Aircraftplugs AN2552-3A external power receptacle.
Performance and dimensions to ISO 461 (BS4G173:1985) and appropriate MOD (Air) and NSN Standards.
Cable assemblies to client requirements available.
Recommended wires : 25mm² or 2 AWG.
240A continuous, peak 1500 Amps, control contact 35 A continuous.

PARTNUMBERS

PART NUMBER	
AN2551	Complete plug AN2551.
AN2551-F	Set of 2 main contacts and relay contact.
AN2551-C	Set of 2 main contacts pure copper silver plated with spring system.
AN2551-L	Relay contact with switch with cables.
AN2551-M	Relay contact with split contact and cables.
AN2551-N	Relay contact with internal spring.
AN2551-P	Polycarbonate cover. (no holes)
AN2551-O	Polycarbonate cover red with holes.
AN2551-S	Set of 6 stainless steel screw.
AN2551-A	Assembly of AN2551 connector with 2 meters (7 feet) 25mm ² cable. (4AWG)
AN2551-B	Assembly of AN2551 connector with 2 meters (7 feet) 35mm ² cable. (2AWG)
AN2551-D	Assembly of AN2551 connector assembly with crocodile clamps. (2 meters 7 feet).

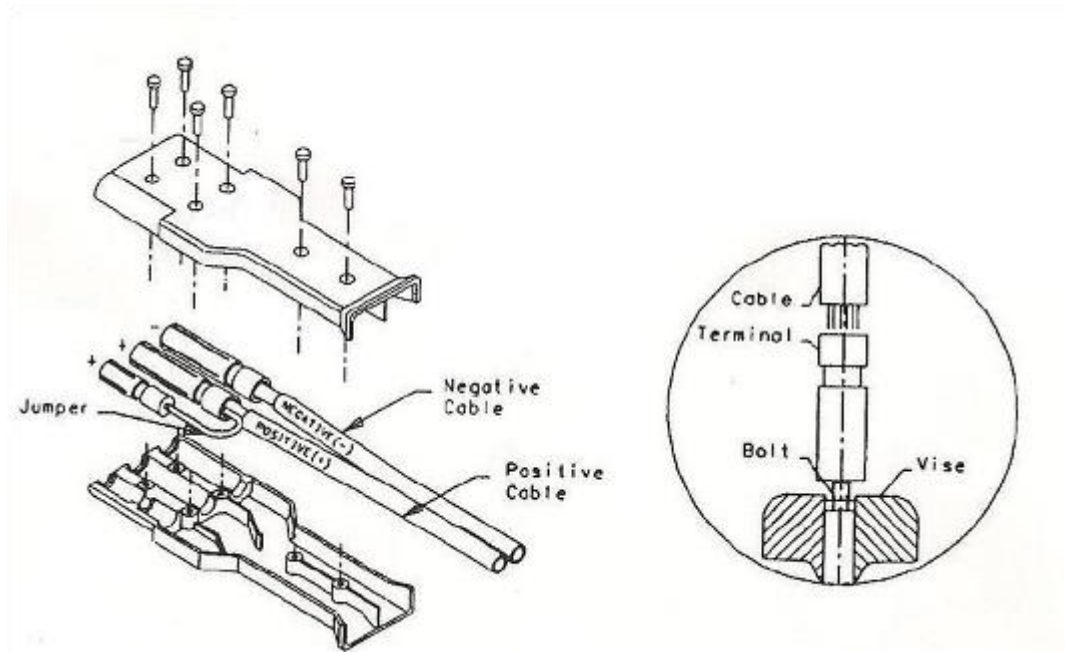


Aircraftplugs® AN2551 Connectors



TAILOR MADE

You want to give your ground power unit its own special look and feel.
You're looking for a custom made to order color. You can work with our color experts to choose



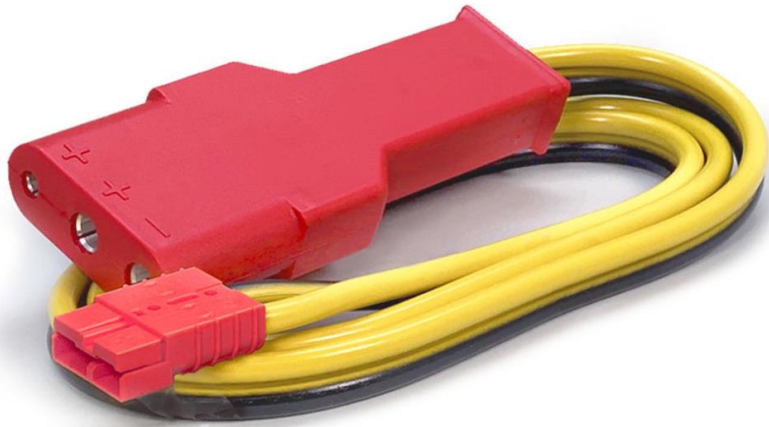


Piper connector Assembly

P/N ACP-Piper1

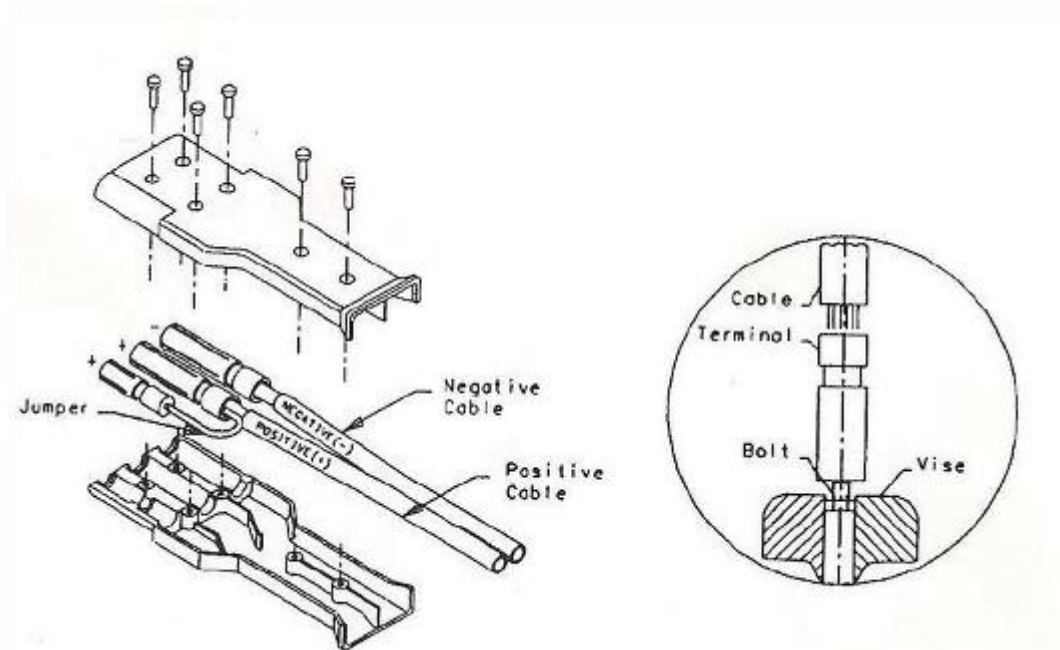
12V assembly with SB connector

Aircraftplugs® AN2551 Connectors



AN2551 Assembly

AN2551 Assembly P/N ACP-AN2551-SB1





External Power Connector Kit for Experimental

Kit to install a quick connect harness for 12V experimental and amateur-built aircraft. May be installed as a battery charging port and/or a ground power receptacle. Standard yellow mating Anderson SB50.



Airframe charger for 28V Certified Aircraft

Quick connect battery charger harness kit
Aviation grade components for FAA-certified aircraft
Adapts BatteryMINDER® SAE plug to Anderson SB50
Rugged handle with strain relief
No FAA field approval or Form 337 is required
Certified mechanic can install and return to service



GENERAL - ADVANTAGES

Designed and manufactured by Aircraftplugs® Worldwide usage. (Patented connector)
 3 poles – 28VDC external power female 3 poles rubber plug for aircraft and helicopters.
 Made to Mil-C-7974 standards ,MS25488
 Mil-C-5756 electrical cable it is meeting the MS90347 specification.
 The 3 poles DC Aircraftplugs® is a robust and durable connector.
 Sleeves are machined solid copper, silver plated.
 Special cable sizes and configurations on request.

PROPERTIES

450 A continuous , 1500 A for 1 minute, control contact 35 A continuous.
 Mates with the Aircraftplugs AN2552-3A external power receptacle.
 Performance and dimensions to ISO 461 (BS4G173:1985) and appropriate MOD (Air) and NSN Standards.
 Cable assemblies to client requirements available.
 Max. wire 120mm² or 4/0 AWG 250 MCM.
 Stainless steel screws.

PARTNUMBERS

PLUG PART	MIL. PART	CABLE section	GRUMMET	RECEPTACLE
ACP3P1	-	8mm ² #8/2	ACP3P1G	ACP3R1
ACP3P2	-	35mm ² 2-1/0	ACP3P2G	ACP3R2
ACP3P3	MS25488-25	50 mm ² 2-1/0	ACP3P3G	ACP3R3
ACP3P4	MS25488-26	70 mm ² 2-2/0 single conductor	ACP3P4G	ACP3R4
ACP3P5	-	70 mm ² 2-2/0	ACP3P5G	ACP3R5
ACP3P6	-	90 mm ² 2-3/0	ACP3P6G	ACP3R6
ACP3P7	MS25488-27	120 mm ² 2-4/0 single conductor	ACP3P7G	ACP3R7
ACP3P8	-	120 mm ² 2-4/0 oval twin conductor	ACP3P8G	ACP3R8
ACP3P9	-	120 mm ² 2-2/0 welding single cond.	ACP3P9G	ACP3R9


ACP3P – A

Designed and manufactured by Aircraftplugs® Worldwide usage. (Patented connector)
 3 poles – 28VDC external power female 3 poles rubber plug for aircraft and helicopters.
 Made to Mil-C-7974 standards ,MS25488
 Connected to Mil-C-5756 electrical cable it is meeting the MS90347 specification.
 The 3 poles DC Aircraftplugs® is a robust and durable connector.
 Sleeves are machined solid copper, silver plated.
 Special cable sizes and configurations on request.
 Separated contact to AUX pole available.
 Split pin configuration optional.

PARTNUMBERS

PLUG PART	MIL. PART	CABLE section	GRUMMET	RECEPTACLE
ACP3P1-A	-	8mm ² #8/2	ACP3P1G-A	ACP3R1-A
ACP3P2-A	-	35mm ² 2-1/0	ACP3P2G-A	ACP3R2-A
ACP3P3-A	MS25488-25	50 mm ² 2-1/0	ACP3P3G-A	ACP3R3-A
ACP3P4-A	MS25488-26	70 mm ² 2-2/0 single conductor	ACP3P4G-A	ACP3R4-A
ACP3P5-A	-	70 mm ² 2-2/0	ACP3P5G-A	ACP3R5-A
ACP3P6-A	-	90 mm ² 2-3/0	ACP3P6G-A	ACP3R6-A
ACP3P7-A	MS25488-27	120 mm ² 2-4/0 single conductor	ACP3P7G-A	ACP3R7-A
ACP3P8-A	-	120 mm ² 2-4/0 oval twin conductor	ACP3P8G-A	ACP3R8-A
ACP3P9-A	-	120 mm ² 2-2/0 welding single cond.	ACP3P9G-A	ACP3R9-A


ACP3P – A

Designed and manufactured by Aircraftplugs® Worldwide usage. (Patented connector)
 3 poles – 28VDC external power female 3 poles rubber plug for aircraft and helicopters.
 Made to Mil-C-7974 standards ,MS25488
 Connected to Mil-C-5756 electrical cable it is meeting the MS90347 specification.
 The 3 poles DC Aircraftplugs® is a robust and durable connector.
 Sleeves are machined solid copper, silver plated.
 Special cable sizes and configurations on request.
 Separated contact to AUX pole available.
 Split pin configuration optional.

PARTNUMBERS

PLUG PART	MIL. PART	CABLE section	GRUMMET	RECEPTACLE
ACP3P1-A	-	8mm ² #8/2	ACP3P1G-A	ACP3R1-A
ACP3P2-A	-	35mm ² 2-1/0	ACP3P2G-A	ACP3R2-A
ACP3P3-A	MS25488-25	50 mm ² 2-1/0	ACP3P3G-A	ACP3R3-A
ACP3P4-A	MS25488-26	70 mm ² 2-2/0 single conductor	ACP3P4G-A	ACP3R4-A
ACP3P5-A	-	70 mm ² 2-2/0	ACP3P5G-A	ACP3R5-A
ACP3P6-A	-	90 mm ² 2-3/0	ACP3P6G-A	ACP3R6-A
ACP3P7-A	MS25488-27	120 mm ² 2-4/0 single conductor	ACP3P7G-A	ACP3R7-A
ACP3P8-A	-	120 mm ² 2-4/0 oval twin conductor	ACP3P8G-A	ACP3R8-A
ACP3P9-A	-	120 mm ² 2-2/0 welding single cond.	ACP3P9G-A	ACP3R9-A



Left : 28VDC connector ACP3P-A
Right: 28VDC Portable receptacle

Technical data

The new 28VDC Replaceable Contact Section from Aircraftplugs is specially designed with a tapered edge to fit securely on any aircraft on the market today that utilizes 28VDC / 24VDC power.

A highly durable rubber selected for its strength, durability and longer life.

450 Amps max. continuous current.

1500 Amps maximum 1 minute.

Control component 35 amps continuous current.

Different grummet configurations, 3 or 5 cables.

Split control pins & tubes.

Crimped or soldered contacts.

Durable silver plated power and aux. contacts

It fit all aircraft types with a DC external power receptacle.



REPLACEMENT NOSE SECTIONS - ADVANTAGES

The new 28VDC Replaceable Contact Section from Aircraftplugs is specially designed with a tapered edge to fit securely on any aircraft on the market today that utilizes 28VDC / 24VDC power.

A highly durable composite , nylon selected for its strength, durability and longer life.

It fit all aircraft types with a DC external power receptacle.

The replacement will increase the life of cables even longer by allowing the nose cap to be easily replaced.

Main advantages :

- Increases safety on the ramp.
- Extend the life of your connectors.
- Will reduce maintenance cost.
- Construction screws together in minutes.

PARTNUMBERS

PLUG PART	
ACP3PNS-B	28VDC Rubber connector with Blue contact section in composite
ACP3PNS-R	28VDC Rubber connector with Red contact section in composite
ACP3PNS-G	28VDC Rubber connector with Green contact section in composite
ACP3PNS-Y	28VDC Rubber connector with Yellow contact section in composite

Aircraftplugs® AN2551 Connectors

4,5,6 wire (aux. Contact)



GENERAL - ADVANTAGES

- 4,5,6 wire , high impact resistance , rubber external power connector.
- 3 PIN NATO AN2551 external power connector for 12V / 24V or 28VDC application
- Optional split control switch contact..
- (2 x 2) or (1 x 2) main wires configuration .
- Mates with AN2552 receptacle .
- Machined silver plated contacts .
- Special cable sizes and configurations on request .

PROPERTIES

450 A continuous , 1500 A for 1 minute, control contact 35 A continuous.

Mates with the aircraftplugs AN2552-3A external power receptacle.

Performance and dimensions to ISO 461 (BS4G173:1985) and appropriate MOD (Air) and NSN Standards.

Cable assemblies to client requirements available.

Max. wire 120mm² or 4/0 AWG 250 MCM.

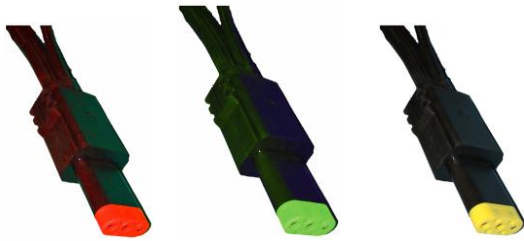
Stainless steel screws.

PARTNUMBERS

PLUG PART	Configuration	CABLE section	GRUMMET	RECEPTACLE
ACP3P1-4	4 wires / 2 wires	8mm ² #8/2	ACP3P1GW	ACP3R1
ACP3P2-4	4 wires / 2 wires	35mm ² 2-1/0	ACP3P2GW	ACP3R2
ACP3P3-4	4 wires / 2 wires	50 mm ² 2-1/0	ACP3P3GW	ACP3R3
ACP3P4-4	4 wires / 2 wires	70 mm ² 2-2/0 single conductor	ACP3P4GW	ACP3R4
ACP3P5-4	4 wires / 2 wires	70 mm ² 2-2/0	ACP3P5GW	ACP3R5
ACP3P6-4	4 wires / 2 wires	90 mm ² 2-3/0	ACP3P6GW	ACP3R6
ACP3P7-4	4 wires / 2 wires	120 mm ² 2-4/0 single conductor	ACP3P7GW	ACP3R7
ACP3P8-4	4 wires / 2 wires	120 mm ² 2-4/0 oval twin conductor	ACP3P8GW	ACP3R8
ACP3P9-4	4 wires / 2 wires	120 mm ² 2-2/0 welding single cond.	ACP3P9GW	ACP3R9

Aircraftplugs® AN2551 Connectors

4,5,6 wire (aux. Contact)



REPLACEMENT NOSE SECTIONS – ADVANTAGES - 4/5 WIRE 28VDC CONNECTOR

The new 28VDC Replaceable Contact Section from Aircraftplugs is specially designed with a tapered edge to fit securely on any aircraft on the market today that utilizes 28VDC / 24VDC power.

A highly durable composite , nylon selected for its strength, durability and longer life.

It fit all aircraft types with a DC external power receptacle.

The replacement will increase the life of cables even longer by allowing the nose cap to be easily replaced.

Main advantages :

- Increases safety on the ramp.
- Extend the life of your connectors.
- Will reduce maintenance cost.
- Construction screws together in minutes.

PARTNUMBERS

PLUG PART	Configuration	CABLE section	GRUMMET	RECEPTACLE
ACP3P1-4	4 wires / 2 wires	8mm ² #8/2	ACP3P1GW	ACP3R1
ACP3P2-4	4 wires / 2 wires	35mm ² 2-1/0	ACP3P2GW	ACP3R2
ACP3P3-4	4 wires / 2 wires	50 mm ² 2-1/0	ACP3P3GW	ACP3R3
ACP3P4-4	4 wires / 2 wires	70 mm ² 2-2/0 single conductor	ACP3P4GW	ACP3R4
ACP3P5-4	4 wires / 2 wires	70 mm ² 2-2/0	ACP3P5GW	ACP3R5
ACP3P6-4	4 wires / 2 wires	90 mm ² 2-3/0	ACP3P6GW	ACP3R6
ACP3P7-4	4 wires / 2 wires	120 mm ² 2-4/0 single conductor	ACP3P7GW	ACP3R7
ACP3P8-4	4 wires / 2 wires	120 mm ² 2-4/0 oval twin conductor	ACP3P8GW	ACP3R8
ACP3P9-4	4 wires / 2 wires	120 mm ² 2-2/0 welding single cond.	ACP3P9GW	ACP3R9



For cable extensions or safety break-away.
2, 3, 4 or 5 wire configuration.

GENERAL

- Portable receptacle. High impact resistance., 3 poles DC receptacle with male contacts.
- 3 PIN NATO AN2551 external power connector for 12V / 24V or 28VDC application.
- 1 x 2 or 2 x 2 main wires configuration.
- Machined silver plated contacts.
- Special cable sizes and configurations on request.
- For cable extensions or safety break-away.
- Worldwide in use.

PROPERTIES

450 A continuous , 1500 A for 1 minute, control contact 35 A continuous.

Mates with the aircraftplugs AN2551 external power connector

Performance and dimensions to ISO 461 (BS4G173:1985) and appropriate MOD (Air) and NSN Standards.

Cable assemblies to client requirements available.

Max. wire 120mm² or 4/0 AWG 250 MCM.

Stainless steel screws.

Receptacles available with 2 main wires or 4 main wires. Please specify upon ordering.

PARTNUMBERS

PLUG PART	Configuration	CABLE section	GRUMMET	RECEPTACLE
ACP3P1-4	4 or 2 wires	8mm ² #8/2	ACP3P1GW	ACP3R1
ACP3P2-4	4 or 2 wires	35mm ² 2-1/0	ACP3P2GW	ACP3R2
ACP3P3	4 or 2 wires	50 mm ² 2-1/0	ACP3P3GW	ACP3R3
ACP3P4	4 or 2 wires	70 mm ² 2-2/0 single conductor	ACP3P4GW	ACP3R4
ACP3P5	4 or 2 wires	70 mm ² 2-2/0	ACP3P5GW	ACP3R5
ACP3P6	4 or 2 wires	90 mm ² 2-3/0	ACP3P6GW	ACP3R6
ACP3P7	4 or 2 wires	120 mm ² 2-4/0 single conductor	ACP3P7GW	ACP3R7
ACP3P8	4 or 2 wires	120 mm ² 2-4/0 oval twin conductor	ACP3P8GW	ACP3R8
ACP3P9	4 or 2 wires	120 mm ² 2-2/0 welding single cond.	ACP3P9GW	ACP3R9


GENERAL

- 4,5,6 wire , high impact resistance, rubber external power connector.
- 3 PIN NATO AN2551 external power connector for 12V / 24V or 28VDC application
- split control switch contact..
- 2 x 2 (or 1 x 2) main wires configuration
- Mates with AN2552 receptacle.
- Silver plated contacts.
- Special cable sizes and configurations on request.

PROPERTIES

450 A continuous , 1500 A for 1 minute, control contact 35 A continuous.

Mates with the aircraftplugs AN2552-3A external power receptacle.

Performance and dimensions to ISO 461 (BS4G173:1985) and appropriate MOD (Air) and NSN Standards.

Cable assemblies to client requirements available.

Max. wire 120mm² or 4/0 AWG 250 MCM.

Stainless steel screws.

PARTNUMBERS

PLUG PART	Configuration	CABLE section	GRUMMET	RECEPTACLE
ACP3P1-4	4 wires	8mm ² #8/2	ACP3P1GW	ACP3R1
ACP3P2-4	4 wires	35mm ² 2-1/0	ACP3P2GW	ACP3R2
ACP3P3-4	4 wires	50 mm ² 2-1/0	ACP3P3GW	ACP3R3
ACP3P4-4	5 wires	70 mm ² 2-2/0 single conductor	ACP3P4GW	ACP3R4
ACP3P5-4	5 wires	70 mm ² 2-2/0	ACP3P5GW	ACP3R5
ACP3P6-4	5 wires	90 mm ² 2-3/0	ACP3P6GW	ACP3R6
ACP3P7-4	5 wires	120 mm ² 2-4/0 single conductor	ACP3P7GW	ACP3R7
ACP3P8-4	6 wires	120 mm ² 2-4/0 oval twin conductor	ACP3P8GW	ACP3R8
ACP3P9-4	6 wires	120 mm ² 2-2/0 welding single cond.	ACP3P9GW	ACP3R9



GENERAL - ADVANTAGES

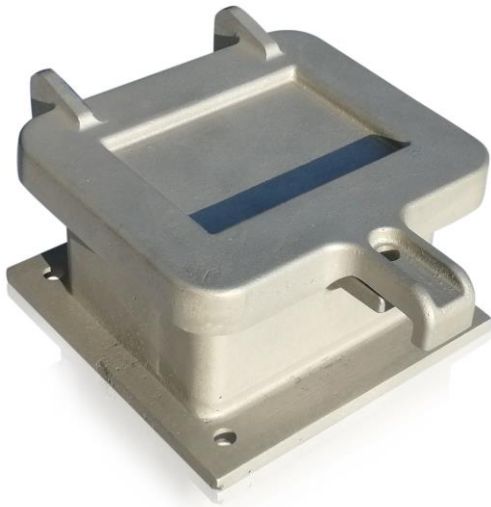
- 400 hz – 115V , high impact resistance, rubber external power connector, worldwide in use.
- MS25486
- Silver plated contacts, pure copper.
- MS tolerances.
- Fits with the MS receptacle.
- Special cable sizes and configurations on request.
- 450 A continuous , 1500 A for 1 minute, control contact 35 A continuous.
- Performance and dimensions to ISO 461 (BS4G173:1985) and appropriate MOD (Air) and NSN Standards.
- Cable assemblies to client requirements available.
- Max. wire 120mm² or 4/0 AWG 250 MCM.
- Stainless steel screws.

PARTNUMBERS

PLUG PART	Mil Part No.	CABLE section	GRUMMET	RECEPTACLE
ACP6P1	-	15mm ² #4/6 , 2 x 3mm 12/2 aux	ACP3P1GW	ACP6R1
ACP6P2	-	20mm ² #4/6 , 2 x 3mm 12/2 aux	ACP3P2GW	ACP6R2
ACP6P2	-	20mm ² #6/4 , 1 1/0 50mm 6x1 composite	ACP3P3GW	ACP6R3
ACP6P4	-	25 mm ² 3#3 single multiconductor	ACP3P4GW	ACP6R4
ACP6P5	-	35 mm ² 4#2 multiconductor	ACP3P5GW	ACP6R5
ACP6P6	MS25486-10	50 mm ² 4-1/0 Mil C-5756C single. Cond.	ACP3P6GW	ACP6R6
ACP6P7	MS25486-10	50 mm ² 4-1/0 Mil C-5756C single. Cond.+2x3 mm	ACP3P7GW	ACP6R7
ACP6P8	-	70 mm ²	ACP3P8GW	ACP6R8
ACP6P9	-	90 mm ² 2-2/0 welding single cond.	ACP3P9GW	ACP6R9
ACP6P10	-	120mm ² #4/6 , 2 x 3mm 12/2 aux	ACP3P9GW	ACP6R10
ACP6P11	-	With 41 mm multi. Conductor	ACP3P9GW	ACP6R11
ACP6P12	-	With 39 mm multi conductor	ACP3P9GW	ACP6R12


PARTNUMBERS

PLUG PART	Mil Part No.	CABLE section
ACP6KIT1	-	15mm ² #4/6 , 2 x 3mm 12/2 aux
ACP6KIT2	-	20mm ² #4/6 , 2 x 3mm 12/2 aux
ACP6KIT2	-	20mm ² #6/4 , 1 1/0 50mm 6x1 composite
ACP6KIT3	-	25 mm ² 3#3 single mult conductor
ACP6KIT4	-	35 mm ² 4#2 mult conductor
ACP6KIT5	MS25486-10	50 mm ² 4-1/0 Mil C-5756C single. Cond.
ACP6KIT6	MS25486-10	50 mm ² 4-1/0 Mil C-5756C single. Cond.+2x3 mm
ACP6KIT7	-	70 mm ²
ACP6KIT8	-	90 mm ² 2-2/0 welding single cond.
ACP6KIT9	-	120mm ² #4/6 , 2 x 3mm 12/2 aux
ACP6KIT10	-	With 41 mm multi. Conductor
ACP6KIT11	-	With 39 mm multi conductor



400 Hz receptacles – IP54 Mounting Boxes - ADVANTAGES

- Aluminium mounting boxes – no weldings – quality aluminium casted boxes.
- Powder coated in your color optional.
- Silver plated contacts, pure copper.
- MS tolerances.
- Fits with the MS receptacle.
- Special cable sizes and configurations on request.
- 450 A continuous , 1500 A for 1 minute, control contact 35 A continuous.
- Performance and dimensions to ISO 461 (BS4G173:1985) and appropriate MOD (Air) and NSN Standards.
- Cable assemblies to client requirements available.
- Max. wire 120mm² or 4/0 AWG 250 MCM.
- Stainless steel screws.

PARTNUMBERS

PLUG PART	Description
ACP-JB-1	Receptacle 28VDC
ACP-JB-2	Connector 28VDC
ACP-JB-3	Receptacle 115V / 400 Hz
ACP-JB-4	Connector 115V / 400 Hz
ACP-JB-5	Receptacle 115V / 400 Hz Green
ACP-JB-6	Receptacle 115V / 400 Hz Yellow





GENERAL - ADVANTAGES

- 400 Hz – 115V , high impact resistance, rubber external power connector, worldwide in use.
- MS25486
- Silver plated contacts, pure copper.
- MS tolerances.
- Fits with the MS receptacle.
- Special cable sizes and configurations on request.
- 450 A continuous , 1500 A for 1 minute, control contact 35 A continuous.
- Performance and dimensions to ISO 461 (BS4G173:1985) and appropriate MOD (Air) and NSN Standards.
- Cable assemblies to client requirements available.
- Max. wire 120mm² or 4/0 AWG 250 MCM.
- Stainless steel screws.

PARTNUMBERS

PLUG PART	Mil Part No.	CABLE section	GRUMMET	RECEPTACLE
ACP6P1R	-	15mm ² #4/6 , 2 x 3mm 12/2 aux	ACP3P1GWR	ACP6R1
ACP6P2R	-	20mm ² #4/6 , 2 x 3mm 12/2 aux	ACP3P2GWR	ACP6R2
ACP6P2R	-	20mm ² #6/4 , 1 1/0 50mm 6x1 composite	ACP3P3GWR	ACP6R3
ACP6P4R	-	25 mm ² 3#3 single multiconductor	ACP3P4GWR	ACP6R4
ACP6P5R	-	35 mm ² 4#2 multiconductor	ACP3P5GWR	ACP6R5
ACP6P6R	MS25486-10	50 mm ² 4-1/0 Mil C-5756C single. Cond.	ACP3P6GWR	ACP6R6
ACP6P7R	MS25486-10	50 mm ² 4-1/0 Mil C-5756C single. Cond.+2x3 mm	ACP3P7GWR	ACP6R7
ACP6P8R	-	70 mm ²	ACP3P8GWR	ACP6R8
ACP6P9R	-	90 mm ² 2-2/0 welding single cond.	ACP3P9GWR	ACP6R9
ACP6P10R	-	120mm ² #4/6 , 2 x 3mm 12/2 aux	ACP3P9GWR	ACP6R10
ACP6P11	-	With 41 mm multi. Conductor	ACP3P9GW	ACP6R11
ACP6P12	-	With 39 mm multi conductor	ACP3P9GW	ACP6R12





GENERAL - ADVANTAGES

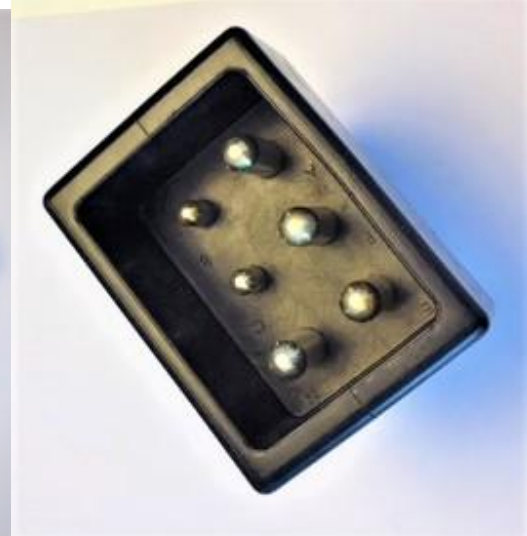
- 400 hz – 115V , high impact resistance, rubber external power connector, worldwide in use.
- MS25486
- Silver plated contacts, pure copper.
- MS tolerances.
- Fits with the MS receptacle.
- Special cable sizes and configurations on request.
- 450 A continuous , 1500 A for 1 minute, control contact 35 A continuous.
- Performance and dimensions to ISO 461 (BS4G173:1985) and appropriate MOD (Air) and NSN Standards.
- Cable assemblies to client requirements available.
- Max. wire 120mm² or 4/0 AWG 250 MCM.
- Stainless steel screws.

PARTNUMBERS

PLUG PART	Mil Part No.	CABLE section	GRUMMET	RECEPTACLE
ACP6P1R	-	15mm ² #4/6 , 2 x 3mm 12/2 aux	ACP3P1GWR	ACP6R1
ACP6P2R	-	20mm ² #4/6 , 2 x 3mm 12/2 aux	ACP3P2GWR	ACP6R2
ACP6P2R	-	20mm ² #6/4 , 1 1/0 50mm 6x1 composite	ACP3P3GWR	ACP6R3
ACP6P4R	-	25 mm ² 3#3 single multiconductor	ACP3P4GWR	ACP6R4
ACP6P5R	-	35 mm ² 4#2 multiconductor	ACP3P5GWR	ACP6R5
ACP6P6R	MS25486-10	50 mm ² 4-1/0 Mil C-5756C single. Cond.	ACP3P6GWR	ACP6R6
ACP6P7R	MS25486-10	50 mm ² 4-1/0 Mil C-5756C single. Cond.+2x3 mm	ACP3P7GWR	ACP6R7
ACP6P8R	-	70 mm ²	ACP3P8GWR	ACP6R8
ACP6P9R	-	90 mm ² 2-2/0 welding single cond.	ACP3P9GWR	ACP6R9
ACP6P10R	-	120mm ² #4/6 , 2 x 3mm 12/2 aux	ACP3P9GWR	ACP6R10
ACP6P11	-	With 41 mm multi. Conductor	ACP3P9GW	ACP6R11
ACP6P12	-	With 39 mm multi conductor	ACP3P9GW	ACP6R12



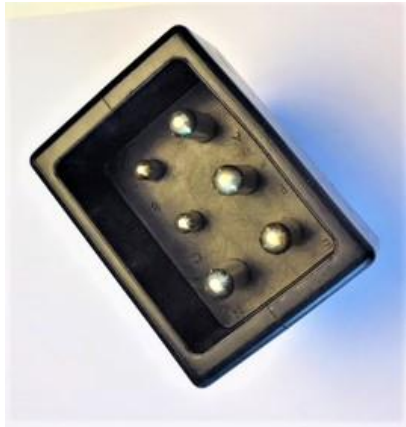
P/N ACPG200 SERIES


GENERAL - ADVANTAGES

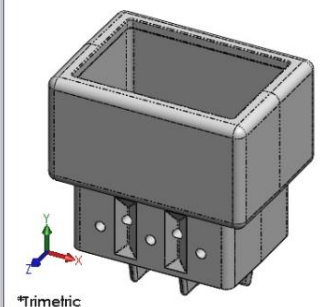
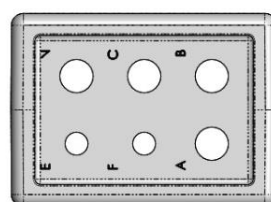
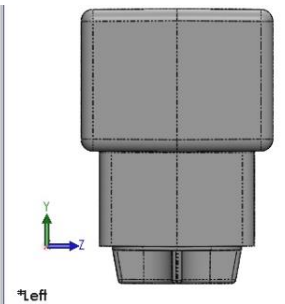
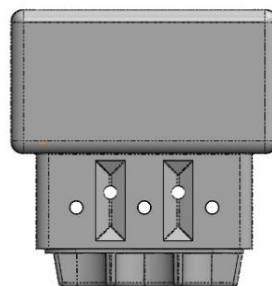
- 400 hz – 115V , high impact resistance, rubber external power connector.
- Silver plated contacts, pure copper. (replaceable).
- Replaceable, durable, none glue type head. MS tolerances.
- Fits with the MS25486 connector
- Special cable sizes and configurations on request. (Tailor made grummetts available.)
- 450 A continuous , 1500 A for 1 minute, control contact 35 A continuous.
- Performance and dimensions to ISO 461 (BS4G173:1985) and appropriate MOD (Air) and NSN Standards.
- Cable assemblies to client requirements available.
- Max. wire 120mm² or 4/0 AWG 250 MCM.
- Stainless steel screws.
- Different rubbers available on request. (minimum qty required.)

PARTNUMBERS

PLUG PART	Mil Part No.	CABLE section	GRUMMET	RECEPTACLE
-	-	15mm ² #4/6 , 2 x 3mm 12/2 aux	ACP3P1GW	ACPGR1
-	-	20mm ² #4/6 , 2 x 3mm 12/2 aux	ACP3P2GW	ACPGR2
-	-	20mm ² #6/4 , 1 1/0 50mm 6x1 composite	ACP3P3GW	ACPGR3
-	-	25 mm ² 3#3 single mulit conductor	ACP3P4GW	ACPGR4
-	-	35 mm ² 4#2 mulit conductor	ACP3P5GW	ACPGR5
-	MS25486-10	50 mm ² 4-1/0 Mil C-5756C single. Cond.	ACP3P6GW	ACPGR6
-	MS25486-10	50 mm ² 4-1/0 Mil C-5756C single. Cond.+2x3 mm	ACP3P7GW	ACPGR7
-	-	70 mm ²	ACP3P8GW	ACPGR8
-	4 wires	90 mm ² 2-2/0 welding single cond.	ACP3P9GW	ACPGR9
-		120mm ² #4/6 , 2 x 3mm 12/2 aux	ACP3P9GW	ACPGR10
-		With 41 mm multi. Conductor	ACP3P9GW	ACPGR11
-		With 39 mm multi conductor	ACP3P9GW	ACPGR12



Part	P/N
Receptacle rubber front	ACPG200F
Aux contact	ACPG200A
Locking pins	ACPG200L
Side rubber	ACPG200S
Male main contact 120mm ²	ACPG200R
Male main contact 90mm ²	ACPG200T
Male main contact 70mm ²	ACPG200U
Male main contact 35mm ²	ACPG200V




GENERAL - ADVANTAGES

- ACPG200 SERIES is new version of the ACP6R
- 400 hz – 115V , high impact resistance, rubber external power connector.
- Silver plated contacts, pure copper.
- MS tolerances.
- Fits with the MS25486 connector
- Special cable sizes and configurations on request. (Tailor made grummets available.)
- 450 A continuous , 1500 A for 1 minute, control contact 35 A continuous.
- Performance and dimensions to ISO 461 (BS4G173:1985) and appropriate MOD (Air) and NSN Standards.
- Cable assemblies to client requirements available.
- Max. wire 120mm² or 4/0 AWG 250 MCM.
- Stainless steel screws.
- Different rubbers available on request. (minimum qty required.)

PARTNUMBERS

PLUG PART	Mil Part No.	CABLE section	GRUMMET	RECEPTACLE
ACP6P1	-	15mm ² #4/6 , 2 x 3mm 12/2 aux	ACP3P1GW	ACP6R1
ACP6P2	-	20mm ² #4/6 , 2 x 3mm 12/2 aux	ACP3P2GW	ACP6R2
ACP6P2	-	20mm ² #6/4 , 1 1/0 50mm 6x1 composite	ACP3P3GW	ACP6R3
ACP6P4	-	25 mm ² 3#3 single multiconductor	ACP3P4GW	ACP6R4
ACP6P5	-	35 mm ² 4#2 multiconductor	ACP3P5GW	ACP6R5
ACP6P6	MS25486-10	50 mm ² 4-1/0 Mil C-5756C single. Cond.	ACP3P6GW	ACP6R6
ACP6P7	MS25486-10	50 mm ² 4-1/0 Mil C-5756C single. Cond.+2x3 mm	ACP3P7GW	ACP6R7
ACP6P8	-	70 mm ²	ACP3P8GW	ACP6R8
ACP6P9	4 wires	90 mm ² 2-2/0 welding single cond.	ACP3P9GW	ACP6R9
ACP6P10		120mm ² #4/6 , 2 x 3mm 12/2 aux	ACP3P9GW	ACP6R10
ACP6P11		With 41 mm multi. Conductor	ACP3P9GW	ACP6R11
ACP6P12		With 39 mm multi conductor	ACP3P9GW	ACP6R12


GENERAL - ADVANTAGES

- 400 hz – 115V , high impact resistance, rubber external power connector.
- Silver plated contacts, pure copper.
- MS tolerances.
- None Glue type receptacle – main body P/N ACP400
- Special cable sizes and configurations on request. (Tailor made grummetts available.)
- 450 A continuous , 1500 A for 1 minute, control contact 35 A continuous.
- Performance and dimensions to ISO 461 (BS4G173:1985) and appropriate MOD (Air) and NSN Standards.
- Cable assemblies to client requirements available.
- Max. wire 120mm² or 4/0 AWG 250 MCM.
- Stainless steel screws.
- Different rubbers available on request. (minimum qty required.)

PARTNUMBERS

CABLE section	GRUMMET	RECEPTACLE	Front section
15mm ² #4/6 , 2 x 3mm 12/2 aux	ACP3P1GWR	ACPG6R1R	ACPRH
20mm ² #4/6 , 2 x 3mm 12/2 aux	ACP3P2GWR	ACP6GR2R	ACPRH
20mm ² #6/4 , 1 1/0 50mm 6x1 composite	ACP3P3GWR	ACP6GR3R	ACPRH
25 mm ² 3#3 single mult conductor	ACP3P4GWR	ACP6GR4R	ACPRH
35 mm ² 4#2 mult conductor	ACP3P5GWR	ACP6GR5R	ACPRH
50 mm ² 4-1/0 Mil C-5756C single. Cond.	ACP3P6GWR	ACP6GR6R	ACPRH
50 mm ² 4-1/0 Mil C-5756C single. Cond.+2x3 mm	ACP3P7GWR	ACP6GR7R	ACPRH
70 mm ²	ACP3P8GWR	ACP6GR8R	ACPRH
90 mm ² 2-2/0 welding single cond.	ACP3P9GWR	ACP6GR9R	ACPRH
120mm ² #4/6 , 2 x 3mm 12/2 aux	ACP3P9GWR	ACP6GR10R	ACPRH
With 41 mm multi. Conductor	ACP3P9GWR	ACP6GR11R	ACPRH
With 39 mm multi conductor	ACP3P9GWR	ACP6GR12R	ACPRH



PARTNUMBERS

CABLE section	GRUMMET	RECEPTACLE	Front section
15mm ² #4/6 , 2 x 3mm 12/2 aux	ACP3P1GWR	ACPG6R1R	ACPRH
20mm ² #4/6 , 2 x 3mm 12/2 aux	ACP3P2GWR	ACP6GR2R	ACPRH
20mm ² #6/4 , 1 1/0 50mm 6x1 composite	ACP3P3GWR	ACP6GR3R	ACPRH
25 mm ² 3#3 single mult conductor	ACP3P4GWR	ACP6GR4R	ACPRH
35 mm ² 4#2 mult conductor	ACP3P5GWR	ACP6GR5R	ACPRH
50 mm ² 4-1/0 Mil C-5756C single. Cond.	ACP3P6GWR	ACP6GR6R	ACPRH
50 mm ² 4-1/0 Mil C-5756C single. Cond.+2x3 mm	ACP3P7GWR	ACP6GR7R	ACPRH
70 mm ²	ACP3P8GWR	ACP6GR8R	ACPRH
90 mm ² 2-2/0 welding single cond.	ACP3P9GWR	ACP6GR9R	ACPRH
120mm ² #4/6 , 2 x 3mm 12/2 aux	ACP3P9GWR	ACP6GR10R	ACPRH
With 41 mm multi. Conductor	ACP3P9GWR	ACP6GR11R	ACPRH
With 39 mm multi conductor	ACP3P9GWR	ACP6GR12R	ACPRH



PARTNUMBERS

- 400 hz – 115V , high impact resistance, rubber external power connector.
- Silver plated contacts, pure copper.
- MS tolerances.
- None Glue type receptacle – main body P/N ACP400
- Special cable sizes and configurations on request. (Tailor made grummets available.)
- 450 A continuous , 1500 A for 1 minute, control contact 35 A continuous.
- Performance and dimensions to ISO 461 (BS4G173:1985) and appropriate MOD (Air) and NSN Standards.
- Cable assemblies to client requirements available.
- Max. wire 120mm² or 4/0 AWG 250 MCM.
- Stainless steel screws.
- Different rubbers available on request. (minimum qty required.)



PARTNUMBERS

CABLE section	GRUMMET	SOCKET	Front section
15mm ² #4/6 , 2 x 3mm 12/2 aux	ACP3P1GWR	ACP6R1N	ACPRN
20mm ² #4/6 , 2 x 3mm 12/2 aux	ACP3P2GWR	ACP6R2N	ACPRN
20mm ² #6/4 , 1 1/0 50mm 6x1 composite	ACP3P3GWR	ACP6R3N	ACPRN
25 mm ² 3#3 single mult conductor	ACP3P4GWR	ACP6R4N	ACPRN
35 mm ² 4#2 mult conductor	ACP3P5GWR	ACP6R5N	ACPRN
50 mm ² 4-1/0 Mil C-5756C single. Cond.	ACP3P6GWR	ACP6R6N	ACPRN
50 mm ² 4-1/0 Mil C-5756C single. Cond.+2x3 mm	ACP3P7GWR	ACP6R7N	ACPRN
70 mm ²	ACP3P8GWR	ACP6R8N	ACPRN
90 mm ² 2-2/0 welding single cond.	ACP3P9GWR	ACP6R9N	ACPRN
120mm ² #4/6 , 2 x 3mm 12/2 aux	ACP3P9GWR	ACP6R10N	ACPRN
With 41 mm multi. Conductor	ACP3P9GWR	ACP6R11N	ACPRN
With 39 mm multi conductor	ACP3P9GWR	ACP6R12N	ACPRN



SPECS

- 400 hz – 115V , high impact resistance, rubber external power connector.
- Silver plated contacts, pure copper. Individual tubes/pins can be replaced.
- MS tolerances. Available with detachable front nose sections
- Special cable sizes and configurations on request. (Tailor made grummetts available.)
- 450 A continuous , 1500 A for 1 minute, control contact 35 A continuous.
- Performance and dimensions to ISO 461 (BS4G173:1985) and appropriate MOD (Air) and NSN Standards.
- Cable assemblies to client requirements available.
- Max. wire 120mm² or 4/0 AWG 250 MCM.
- Stainless steel screws.
- Available with 90% insertion microswitch.
- Suitable for a wide range of cable sizes
- Crimped or soldered contacts.
- Modular design to ensure ease of maintenance

PARTNUMBERS

CABLE section	GRUMMET	SOCKET	Front section
15mm ² #4/6 , 2 x 3mm 12/2 aux	ACP3P1GWR	ACP6R1N	ACPRN
20mm ² #4/6 , 2 x 3mm 12/2 aux	ACP3P2GWR	ACP6R2N	ACPRN
20mm ² #6/4 , 1 1/0 50mm 6x1 composite	ACP3P3GWR	ACP6R3N	ACPRN
25 mm ² 3#3 single mult conductor	ACP3P4GWR	ACP6R4N	ACPRN
35 mm ² 4#2 mult conductor	ACP3P5GWR	ACP6R5N	ACPRN
50 mm ² 4-1/0 Mil C-5756C single. Cond.	ACP3P6GWR	ACP6R6N	ACPRN
50 mm ² 4-1/0 Mil C-5756C single. Cond.+2x3 mm	ACP3P7GWR	ACP6R7N	ACPRN
70 mm ²	ACP3P8GWR	ACP6R8N	ACPRN
90 mm ² 2-2/0 welding single cond.	ACP3P9GWR	ACP6R9N	ACPRN
120mm ² #4/6 , 2 x 3mm 12/2 aux	ACP3P9GWR	ACP6R10N	ACPRN
With 41 mm multi. Conductor	ACP3P9GWR	ACP6R11N	ACPRN
With 39 mm multi conductor	ACP3P9GWR	ACP6R12N	ACPRN

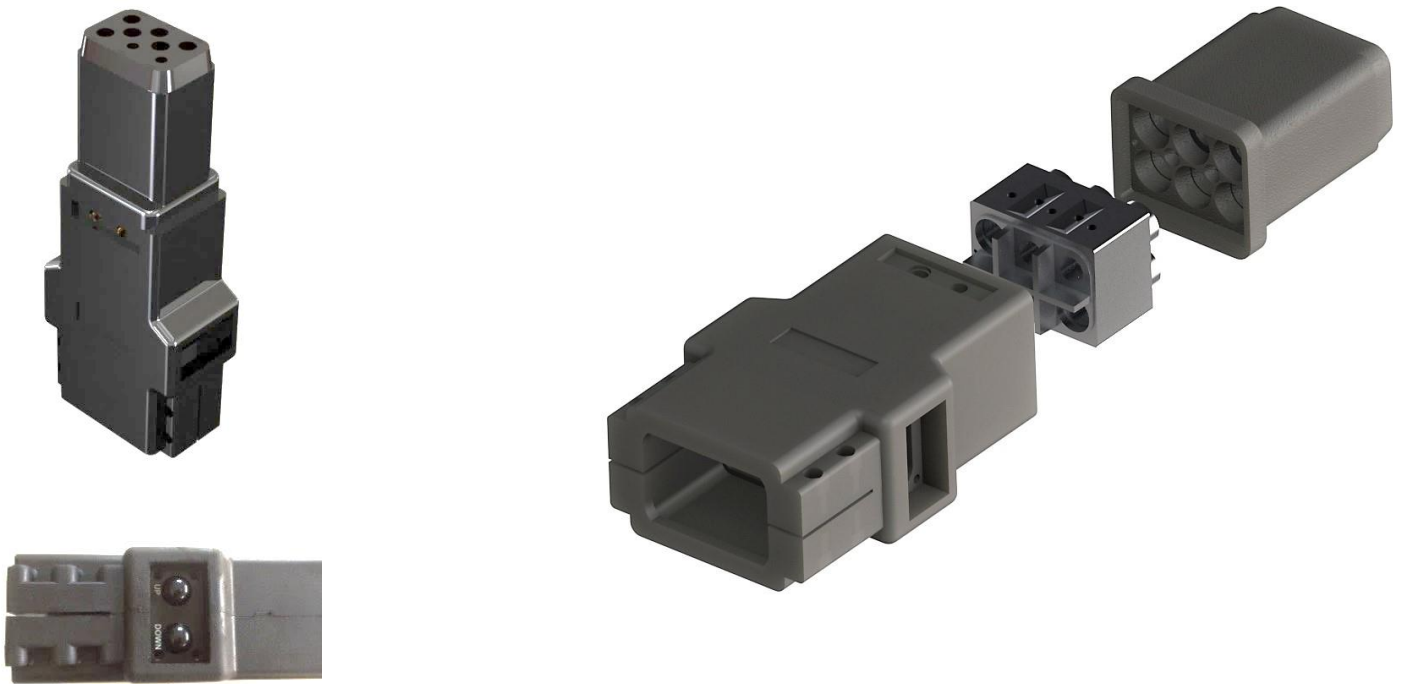
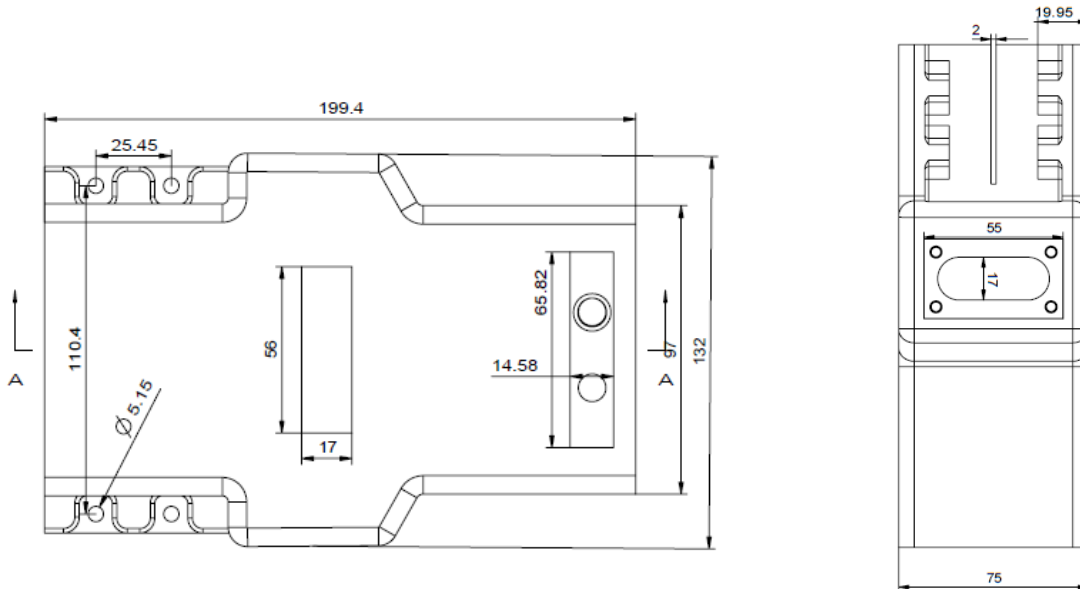


- 400 hz – 115V , high impact resistance, rubber external power connector.
- Silver plated contacts, pure copper.
- MS tolerances.
- Special cable sizes and configurations on request. (Tailor made grummets available.)
- 450 A continuous , 1500 A for 1 minute, control contact 35 A continuous.
- Performance and dimensions to ISO 461 (BS4G173:1985) and appropriate MOD (Air) and NSN Standards.
- Cable assemblies to client requirements available.
- Max. wire 120mm² or 4/0 AWG 250 MCM.
- Stainless steel screws.
- Different rubbers available on request. (minimum qty required.)



PARTNUMBERS

CABLE section	GRUMMET	SOCKET	Front section
15mm ² #4/6 , 2 x 3mm 12/2 aux	ACP3P1GWR	ACP6R1HN	ACPHN
20mm ² #4/6 , 2 x 3mm 12/2 aux	ACP3P2GWR	ACP6R2HN	ACPHH
20mm ² #6/4 , 1 1/0 50mm 6x1 composite	ACP3P3GWR	ACP6R3HN	ACPHN
25 mm ² 3#3 single mulit conductor	ACP3P4GWR	ACP6R4HN	ACPHN
35 mm ² 4#2 mulit conductor	ACP3P5GWR	ACP6R5HN	ACPHN
50 mm ² 4-1/0 Mil C-5756C single. Cond.	ACP3P6GWR	ACP6R6HN	ACPHN
50 mm ² 4-1/0 Mil C-5756C single. Cond.+2x3 mm	ACP3P7GWR	ACP6R7HN	ACPHN
70 mm ²	ACP3P8GWR	ACP6R8HN	ACPHN
90 mm ² 2-2/0 welding single cond.	ACP3P9GWR	ACP6R9HN	ACPHN
120mm ² #4/6 , 2 x 3mm 12/2 aux	ACP3P9GWR	ACP6R10HN	ACPHN
With 41 mm multi. Conductor	ACP3P9GWR	ACP6R11HN	ACPHN
With 39 mm multi conductor	ACP3P9GWR	ACP6R12HN	ACPHN


DIMENSIONS

TECHNICAL DATE (Cont. On next page)

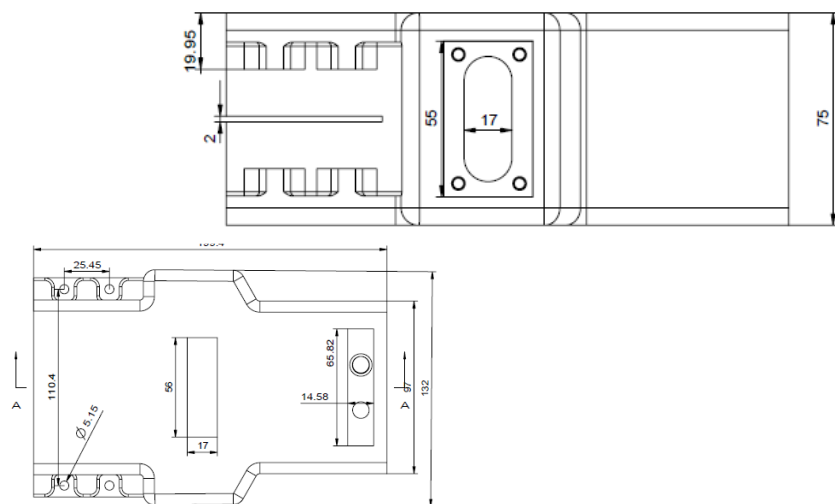
- Made in Belgium, with quality rubber.
- Modular connector.
- Different switch and LEDs configurations, 90% insert switch available.
- Own company logos available.

See next page



DIFFERENT CONFIGURATIONS

- UP / DOWN switches
- ON / OFF switches
- Thermal control
- LED's



with removable nose section

ADVANTAGES

- high impact resistance, rubber external power connector.
- Modular design
- Customizable integrated LED and push-button units can be easily replaced
- 90% insert switch.
- Optional thermal nose protection.
- Special cable sizes and configurations on request.
- replacement connectors which allow the user to replace a worn cable head in the field maximizing the life of your 400Hz power cables
- Performance and dimensions to ISO 461 (BS4G173:1985) and appropriate MOD (Air) and NSN Standards.
- Cable assemblies to client requirements available.
- Max. wire 120mm² or 4/0 AWG .
- Stainless steel screws.

PARTNUMBERS

PLUG PART	Mil Part No.	CABLE section	GRUMMET	RECEPTACLE
ACP6P1G	-	15mm ² #4/6 , 2 x 3mm 12/2 aux	ACP3P1GG	ACP6R1
ACP6P2G	-	20mm ² #4/6 , 2 x 3mm 12/2 aux	ACP3P2GG	ACP6R2
ACP6P2G	-	20mm ² #6/4 , 1 1/0 50mm 6x1 composite	ACP3P3GG	ACP6R3
ACP6P4G	-	25 mm ² 3#3 single mult conductor	ACP3P4GG	ACP6R4
ACP6P5G	-	35 mm ² 4#2 mult conductor	ACP3P5GG	ACP6R5
ACP6P6G	MS25486-10	50 mm ² 4-1/0 Mil C-5756C single. Cond.	ACP3P6GG	ACP6R6
ACP6P7G	MS25486-10	50 mm ² 4-1/0 Mil C-5756C single. Cond.+2x3 mm	ACP3P7GG	ACP6R7
ACP6P8G	-	70 mm ²	ACP3P8GG	ACP6R8
ACP6P9G	-	90 mm ² 2-2/0 welding single cond.	ACP3P9GG	ACP6R9
ACP6P10G	-	120mm ² #4/6 , 2 x 3mm 12/2 aux	ACP3P9GG	ACP6R10
ACP6P11G	-	With 41 mm multi. Conductor	ACP3P9GG	ACP6R11
ACP6P12G	-	With 39 mm multi conductor	ACP3P9GG	ACP6R12

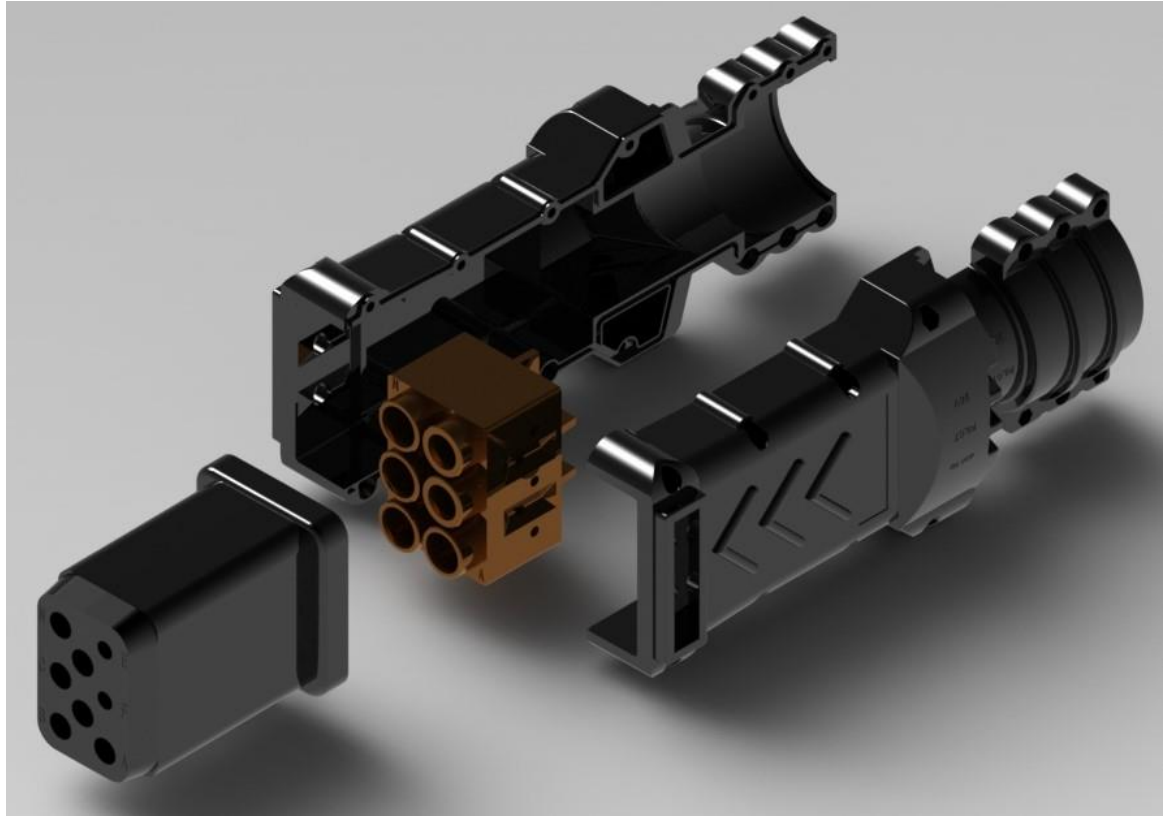

with removable nose section
ADVANTAGES

- high impact resistance, rubber external power connector.
- Modular design
- 95 optional% insert switch.
- Special cable sizes and configurations.
- replacement connectors which allow the user to replace a worn cable head in the field maximizing the life of your 400Hz power cables
- Performance and dimensions to ISO 461 (BS4G173:1985) and appropriate MOD (Air) and NSN Standards.
- Cable assemblies to client requirements available.
- Max. wire 120mm² or 4/0 AWG .
- Stainless steel hardware.
- 450 A continuous , 1500 A for 1 minute, control contact 35 A continuous.
- Mates with the aircraftplugs MS90362 external power receptacle.

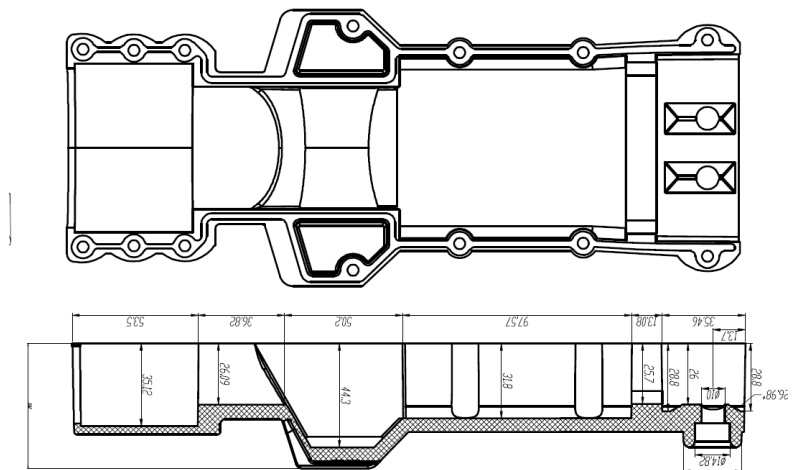
PARTNUMBERS

PLUG PART	Mil Part No.	CABLE section	GRUMMET	RECEPTACLE
ACP6J1G	-	15mm ² #4/6 , 2 x 3mm 12/2 aux	ACP3P1GG	ACP6R1
ACP6J2G	-	20mm ² #4/6 , 2 x 3mm 12/2 aux	ACP3P2GG	ACP6R2
ACP6J2G	-	20mm ² #6/4 , 1 1/0 50mm 6x1 composite	ACP3P3GG	ACP6R3
ACP6J4G	-	25 mm ² 3#3 single mulit conductor	ACP3P4GG	ACP6R4
ACP6J5G	-	35 mm ² 4#2 mulit conductor	ACP3P5GG	ACP6R5
ACP6PJG	MS25486-10	50 mm ² 4-1/0 Mil C-5756C single. Cond.	ACP3P6GG	ACP6R6
ACP6PJ7G	MS25486-10	50 mm ² 4-1/0 Mil C-5756C single. Cond.+2x3 mm	ACP3P7GG	ACP6R7
ACP6J8G	-	70 mm ²	ACP3P8GG	ACP6R8
ACP6J9G	-	90 mm ² 2-2/0 welding single cond.	ACP3P9GG	ACP6R9
ACP6J10G	-	120mm ² #4/6 , 2 x 3mm 12/2 aux	ACP3P9GG	ACP6R10
ACP6J11G	-	With 41 mm multi. Conductor	ACP3P9GG	ACP6R11
ACP6J12G	-	With 39 mm multi conductor	ACP3P9GG	ACP6R12



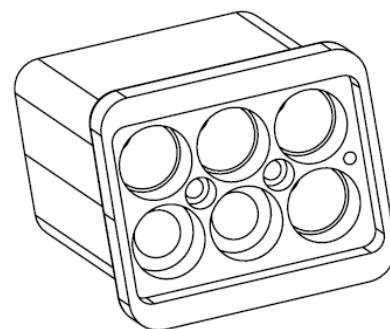


GENERAL



PROPERTIES

- 450 A continuous , 1500 A for 1 minute, control contact 35 A continuous.
- Mates with the aircraftplugs MS90362 external power receptacle.
- Performance and dimensions to ISO 461 (BS4G173:1985) and appropriate MOD (Air) and NSN Standards.
- Cable assemblies to client requirements available.
- Max. wire 120mm² or 4/0 AWG 250 MCM.
- Stainless steel screws.



GENERAL

- high impact resistance, rubber & polymere external power connector.
- 400 Hz – 115 Volt, optional thermal protection in nose section.
- Solid insert switches.
- Optional temperature control.
- Special cable sizes and configurations on request.
- On / Off Up / Down switch and LED config.
- Modular connector.
- 90% insert switch.

PROPERTIES

450 A continuous , 1500 A for 1 minute, control contact 35 A continuous.

Mates with the aircraftplugs MS90362 external power receptacle.

Performance and dimensions to ISO 461 (BS4G173:1985) and appropriate MOD (Air) and NSN Standards.

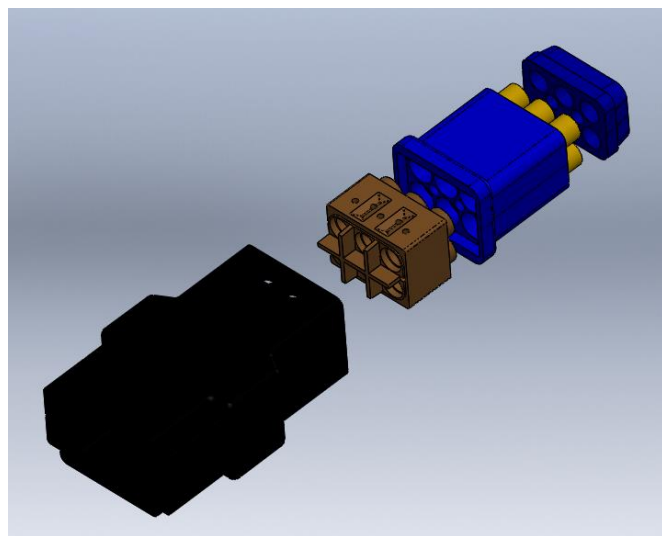
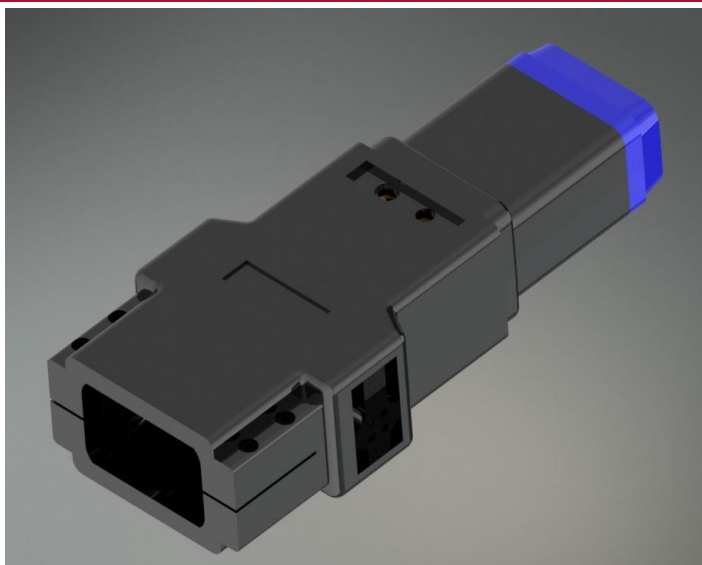
Cable assemblies to client requirements available.

Max. wire 120mm² or 4/0 AWG 250 MCM.

Stainless steel screws.

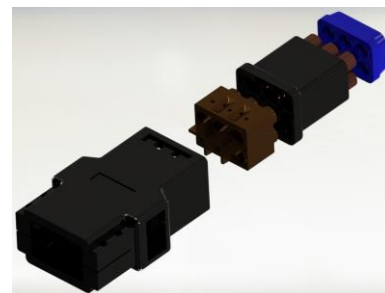
PARTNUMBERS

PLUG PART	Configuration	CABLE section	GRUMMET	RECEPTACLE
ACP400-50	LED / INSERT / ON-OFF	50mm ² #8/2	ACP400GW1	ACP3R1
ACP400-70	LED / INSERT / ON-OFF	70mm ² 2-1/0	ACP400GW2	ACP3R2
ACP400-90	LED / INSERT / ON-OFF	90 mm ² 2-1/0	ACP400GW3	ACP3R3
ACP400-120	LED / INSERT / ON-OFF	120 mm ² 2-2/0 single conductor	ACP400GW4	ACP3R4



GENERAL

- high impact resistance, rubber & polymere external power connector.
- 400 Hz – 115 Volt, optional thermal protection in nose section.
- Solid insert switches.
- Optional temperature control.
- Special cable sizes and configurations on request.
- On / Off Up / Down switch and LED config.
- Modular connector.
- 90% insert switch.



PROPERTIES

450 A continuous , 1500 A for 1 minute, control contact 35 A continuous.

Mates with the aircraftplugs MS90362 external power receptacle.

Performance and dimensions to ISO 461 (BS4G173:1985) and appropriate MOD (Air) and NSN Standards.

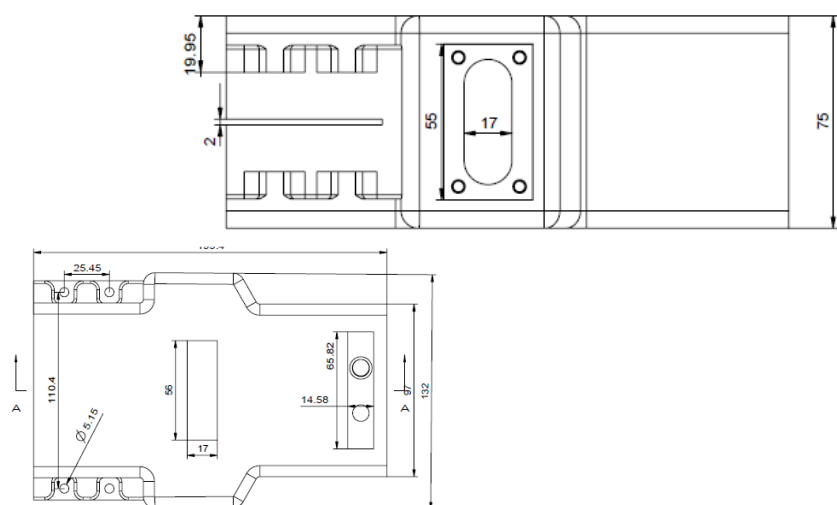
Cable assemblies to client requirements available.

Max. wire 120mm² or 4/0 AWG 250 MCM.

Stainless steel screws.

PARTNUMBERS

PLUG PART	Configuration	CABLE section	GRUMMET	RECEPTACLE
ACP500-50	LED / INSERT / ON-OFF	50mm ² #8/2	ACP400GW1	ACP3R1
ACP500-70	LED / INSERT / ON-OFF	70mm ² 2-1/0	ACP400GW2	ACP3R2
ACP500-90	LED / INSERT / ON-OFF	90 mm ² 2-1/0	ACP400GW3	ACP3R3
ACP500-120	LED / INSERT / ON-OFF	120 mm ² 2-2/0 single conductor	ACP400GW4	ACP3R4



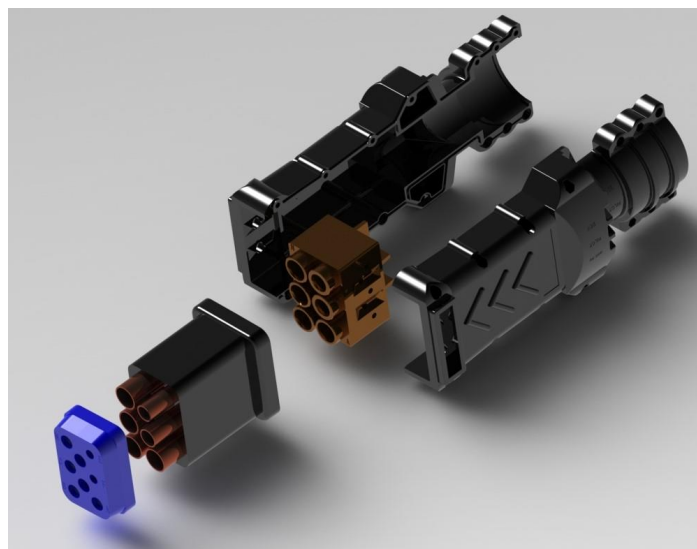
with removable nose section

ADVANTAGES

- 4,5,6 wire , high impact resistance, rubber external power connector.
- 3 PIN NATO AN2551 external power connector for 12V / 24V or 28VDC application
- Modular design
- Customizable integrated LED and push-button units can be easily replaced
- 90% insert switch.
- Optional thermal nose protection.
- Special cable sizes and configurations on request.
- 450 A continuous , 1500 A for 1 minute, control contact 35 A continuous.
- Mates with the aircraftplugs AN2552-3A external power receptacle.
- Performance and dimensions to ISO 461 (BS4G173:1985) and appropriate MOD (Air) and NSN Standards.
- Cable assemblies to client requirements available.
- Max. wire 120mm² or 4/0 AWG 250 MCM.
- Stainless steel screws.

PARTNUMBERS

PLUG PART	Mil Part No.	CABLE section	GRUMMET	RECEPTACLE
ACP6P1G	-	15mm ² #4/6 , 2 x 3mm 12/2 aux	ACP3P1GG	ACP6R1
ACP6P2G	-	20mm ² #4/6 , 2 x 3mm 12/2 aux	ACP3P2GG	ACP6R2
ACP6P2G	-	20mm ² #6/4 , 1 1/0 50mm 6x1 composite	ACP3P3GG	ACP6R3
ACP6P4G	-	25 mm ² 3#3 single mult conductor	ACP3P4GG	ACP6R4
ACP6P5G	-	35 mm ² 4#2 mult conductor	ACP3P5GG	ACP6R5
ACP6P6G	MS25486-10	50 mm ² 4-1/0 Mil C-5756C single. Cond.	ACP3P6GG	ACP6R6
ACP6P7G	MS25486-10	50 mm ² 4-1/0 Mil C-5756C single. Cond.+2x3 mm	ACP3P7GG	ACP6R7
ACP6P8G	-	70 mm ²	ACP3P8GG	ACP6R8
ACP6P9G	-	90 mm ² 2-2/0 welding single cond.	ACP3P9GG	ACP6R9
ACP6P10G	-	120mm ² #4/6 , 2 x 3mm 12/2 aux	ACP3P9GG	ACP6R10
ACP6P11G	-	With 41 mm multi. Conductor	ACP3P9GG	ACP6R11
ACP6P12G	-	With 39 mm multi conductor	ACP3P9GG	ACP6R12



GENERAL

- high impact resistance, rubber & polymere external power connector.
- 400 Hz – 115 Volt, optional thermal protection in nose section.
- Solid insert switches.
- Optional temperature control.
- Special cable sizes and configurations on request.
- On / Off Up / Down switch and LED config.
- Modular connector.
- 90% insert switch.

PROPERTIES

450 A continuous , 1500 A for 1 minute, control contact 35 A continuous.

Mates with the aircraftplugs MS90362 external power receptacle.

Performance and dimensions to ISO 461 (BS4G173:1985) and appropriate MOD (Air) and NSN Standards.

Cable assemblies to client requirements available.

Max. wire 120mm² or 4/0 AWG 250 MCM.

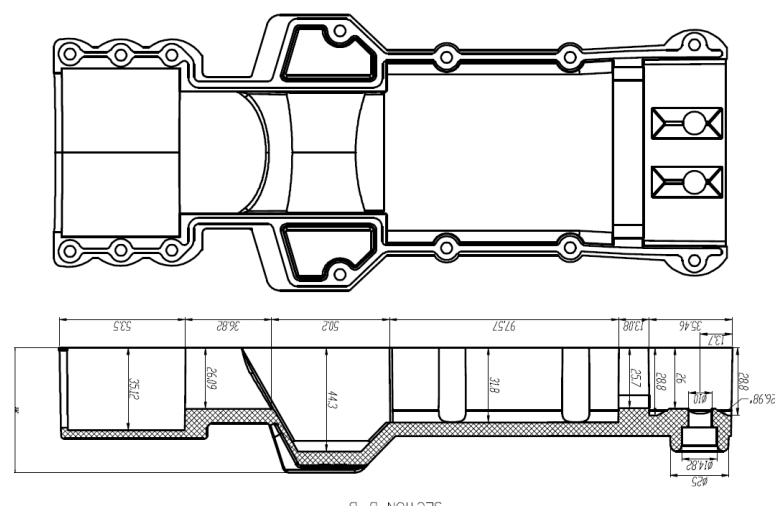
Stainless steel screws.

PARTNUMBERS

PLUG PART	Configuration	CABLE section	GRUMMET	RECEPTACLE
ACP400-50	LED / INSERT / ON-OFF	50mm ² #8/2	ACP400GW1	ACP3R1
ACP400-70	LED / INSERT / ON-OFF	70mm ² 2-1/0	ACP400GW2	ACP3R2
ACP400-90	LED / INSERT / ON-OFF	90 mm ² 2-1/0	ACP400GW3	ACP3R3
ACP400-120	LED / INSERT / ON-OFF	120 mm ² 2-2/0 single conductor	ACP400GW4	ACP3R4



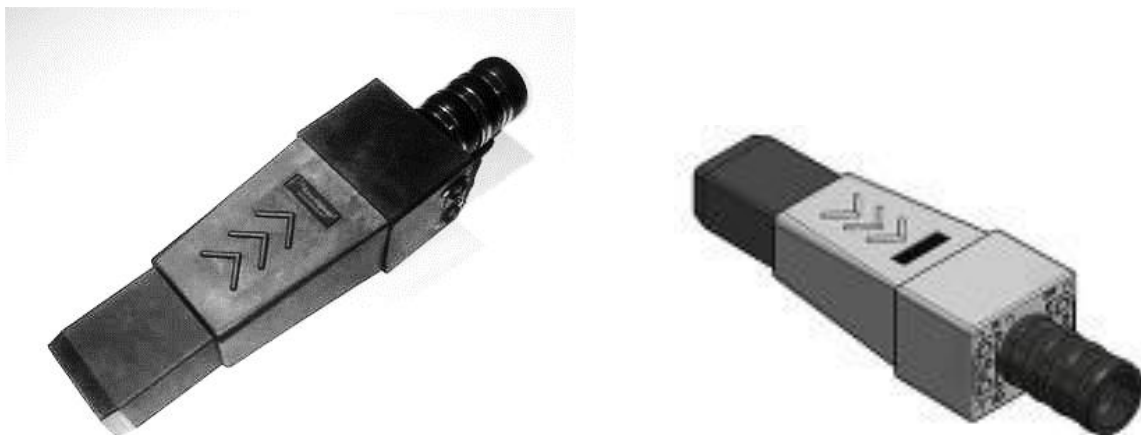
GENERAL



PROPERTIES

450 A continuous , 1500 A for 1 minute, control contact 35 A continuous.
 Mates with the aircraftplugs MS90362 external power receptacle.
 Performance and dimensions to ISO 461 (BS4G173:1985) and appropriate MOD (Air) and NSN Standards.
 Cable assemblies to client requirements available.
 Max. wire 120mm² or 4/0 AWG 250 MCM.
 Stainless steel screws.





GENERAL

- high impact resistance, rubber & polymere external power connector.
- 400 Hz – 115 Volt, optional thermal protection in nose section.
- Solid insert switch. Optional Temp. Protection.
- Special cable sizes and configurations on request.
- On / Off Up / Down switch and LED config.
- Modular connector.

PROPERTIES

450 A continuous , 1500 A for 1 minute, control contact 35 A continuous.

Mates with the aircraftplugs MS90362 external power receptacle.

Performance and dimensions to ISO 461 (BS4G173:1985) and appropriate MOD (Air) and NSN Standards.

Cable assemblies to client requirements available.

Max. wire 120mm² or 4/0 AWG 250 MCM.

Stainless steel screws.

PARTNUMBERS

PLUG PART	Configuration	CABLE section	GRUMMET	RECEPTACLE
ACP300-50	LED / INSERT / ON-OFF	50mm ² #8/2	ACP300GW1	ACP3R1
ACP300-70	LED / INSERT / ON-OFF	70mm ² 2-1/0	ACP300GW2	ACP3R2
ACP300-90	LED / INSERT / ON-OFF	90 mm ² 2-1/0	ACP300GW3	ACP3R3
ACP300-120	LED / INSERT / ON-OFF	120 mm ² 2-2/0 single conductor	ACP300GW4	ACP3R4



GENERAL

- high impact resistance, rubber & polymere external power connector.
- 400 Hz – 115 Volt, optional thermal protection in nose section.
- Solid insert switch.
- Special cable sizes and configurations on request.
- On / Off Up / Down switch and LED config.
- Modular connector.

PROPERTIES

450 A continuous , 1500 A for 1 minute, control contact 35 A continuous.

Mates with the aircraftplugs MS90362 external power receptacle.

Performance and dimensions to ISO 461 (BS4G173:1985) and appropriate MOD (Air) and NSN Standards.

Cable assemblies to client requirements available.

Max. wire 120mm² or 4/0 AWG 250 MCM.

Stainless steel screws.

PARTNUMBERS

PLUG PART	Configuration	CABLE section	GRUMMET	RECEPTACLE
ACP200-50	LED / INSERT / ON-OFF	50mm ² #8/2	ACP200GW1	ACP3R1
ACP200-70	LED / INSERT / ON-OFF	70mm ² 2-1/0	ACP200GW2	ACP3R2
ACP200-90	LED / INSERT / ON-OFF	90 mm ² 2-1/0	ACP200GW3	ACP3R3
ACP200-120	LED / INSERT / ON-OFF	120 mm ² 2-2/0 single conductor	ACP200GW4	ACP3R4



GENERAL

- high impact resistance, rubber & polymere external power connector.
- 400 Hz – 115 Volt, optional thermal protection in nose section.
- Solid insert switch.
- Special cable sizes and configurations on request.
- On / Off Up / Down switch and LED config.
- Modular connector.
- 450 A continuous , 1500 A for 1 minute, control contact 35 A continuous.
- Mates with the aircraftplugs MS90362 external power receptacle.
- Performance and dimensions to ISO 461 (BS4G173:1985) and appropriate MOD (Air) and NSN Standards.
- Cable assemblies to client requirements available.
- Max. wire 120mm² or 4/0 AWG 250 MCM.
- Stainless steel screws.

PARTNUMBERS

PLUG PART	Mil Part No.	CABLE section	GRUMMET	RECEPTACLE
ACP6P1	-	15mm ² #4/6 , 2 x 3mm 12/2 aux	ACP3P1GW	ACP6R1
ACP6P2	-	20mm ² #4/6 , 2 x 3mm 12/2 aux	ACP3P2GW	ACP6R2
ACP6P2	-	20mm ² #6/4 , 1 1/0 50mm 6x1 composite	ACP3P3GW	ACP6R3
ACP6P4	-	25 mm ² 3#3 single mulit conductor	ACP3P4GW	ACP6R4
ACP6P5	-	35 mm ² 4#2 mulit conductor	ACP3P5GW	ACP6R5
ACP6P6	MS25486-10	50 mm ² 4-1/0 Mil C-5756C single. Cond.	ACP3P6GW	ACP6R6
ACP6P7	MS25486-10	50 mm ² 4-1/0 Mil C-5756C single. Cond.+2x3 mm	ACP3P7GW	ACP6R7
ACP6P8	-	70 mm ²	ACP3P8GW	ACP6R8
ACP6P9	-	90 mm ² 2-2/0 welding single cond.	ACP3P9GW	ACP6R9
ACP6P10	-	120mm ² #4/6 , 2 x 3mm 12/2 aux	ACP3P9GW	ACP6R10
ACP6P11	-	With 41 mm multi. Conductor	ACP3P9GW	ACP6R11
ACP6P12	-	With 39 mm multi conductor	ACP3P9GW	ACP6R12



*Rear Cover
ACPRC400*



*Receptacle
ACPRC50*



*Shield
ACPRC500*



*Shield
ACPRC100*



*Snap Cover
ACPRC200*

PROPERTIES

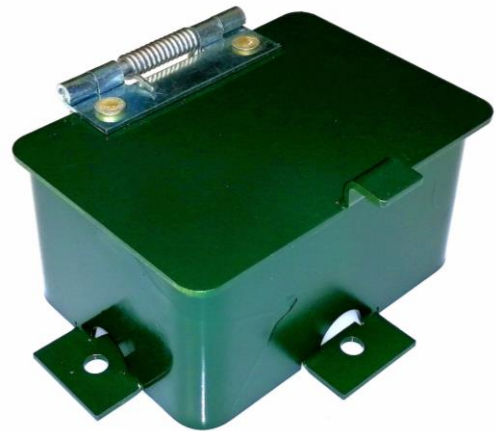
- 6 poles 400 Hz 115V receptacle.
- Meet all the requirements of MIL-C-81790.
- Receptacles are available in variety of styles to meet all your ground power connectors.
- Thermal shock -65° to + 200°C
- 2500 VRMS with <1 milli-amp leakage.
- 1500 A for 1 minute and 450 A Continues
- Optional in your color.

PARTNUMBERS

PLUG PART	Military Part No.	DESCRIPTION
ACPRC700	MS90362-1	Receptacle w/Shield and Fine Thread Terminals
ACPRC50	MS90362-3	Receptacle only
ACPRC10	MS90362-4	Receptacle w/Rear Cover and Shield
ACPRC100	MS17845-1	Shield only
ACPRC400	MS3505-1	Rear cover only
ACPRC200	-	Snap cover only
ACPRC600	-	Receptacle without shield , rear cover and snap front cover.



Snap cover black
ACPRC700



Snap cover dark green
ACPRC80

PROPERTIES

- 6 poles 400 Hz 115V receptacle.
- Meet all the requirements of MIL-C-81790.
- Receptacles are available in variety of styles to meet all your ground power connectors.
- Thermal shock -65° to + 200°C
- 2500 VRMS with <1 milli-amp leakage.
- 1500 A for 1 minute and 450 A Continues
- Optional in your color.





Replaceable receptacle head
P/N ACPRH28VDC



Receptacle double main contact
P/N ACPR28VDC-D



Receptacle switch contact
P/N ACPR28VDC-Split-Aux



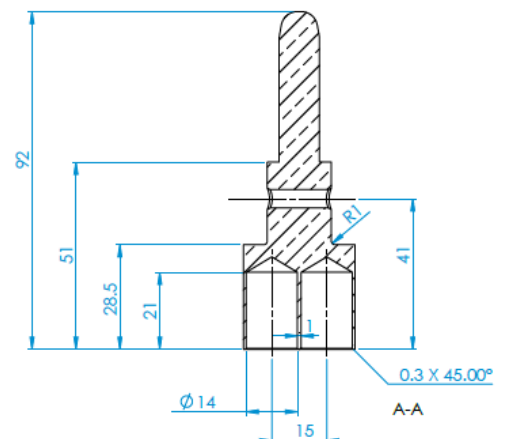
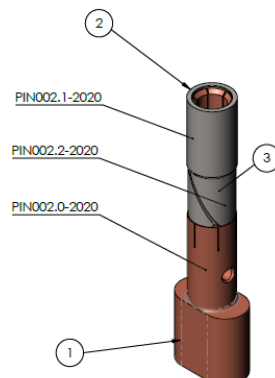
Aux switch contact
P/N ACPS28VDC-Split-Aux

PROPERTIES

- 28VDC Replaceable receptacle head.
- According to Mil spec. MS3506-1 dimensions.
- Receptacles are available in variety of styles to meet all your ground power connectors.
- Thermal shock -65° to + 200°C
- 2500 VRMS with <1 milli-amp leakage.
- 1500 A for 1 minute and 450 A Continues
- Optional with company logo.

PARTNUMBERS

PLUG PART	DESCRIPTION
ACPRH28VDC	Receptacle w/Shield and Fine Thread Terminals
ACPR28VDC-D	Receptacle double main contact
ACPR28VDC-Split-Aux	Receptacle switch contact
ACPS28VDC-Split-Aux	Aux. switch contact



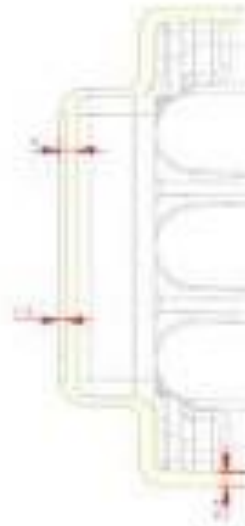
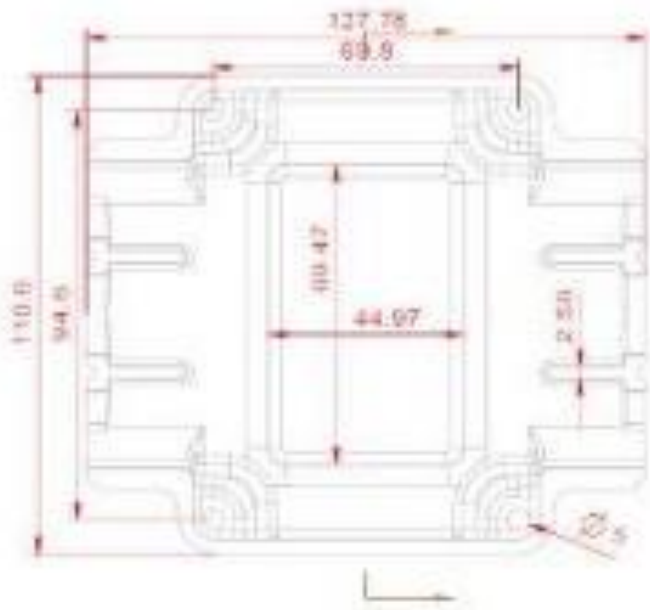
 **Aircraftplugs®** AN2551 Connectors





PROPERTIES

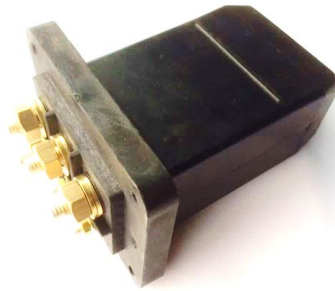
- Tailor made shield covers, to protect the electrical connector , in the material selected .
We do inhouse anodizing and plating.
Shields with or without hinge (springloaded) cover plates with your logo and powder coated into your RAL color.



400 hz receptacle rear cover

- Tailor made rear covers, to protect the electrical connector .



*ACP6B 6 poles female recept.**ACP3B 3 poles female recept.***PROPERTIES**

- Female receptacle 400 hz / 115V.
- 450 A cont. , 1500 A for 1 minute.
- E&F contacts max 35 A.
- According to MIL-C-81790
- Bases are molded from reinforced material for low moisture absorption and high strength.
- 400 Hz Receptacles according to ISO461/1 AND ISO461/2, and US Military Specification MIL-C-81790 (A) / BS4G178 dimensions.
- Optional : Protected flange mounted 400Hz or 28Vdc connectors, Cast aluminium alloy housing and lid
- Crimped or soldered contacts , Mounting boxes available

PARTNUMBERS

PLUG PART	Description
ACP6B	400 hz , female receptacle, 6 poles
ACP3B	28VDC, female receptacle, 3 poles



*ACP6BR
6 poles female recept. With replaceable nose section*



ACP6BB recept. base plate



ACP6BM recept. pins

PROPERTIES

- Female receptacle 400 hz / 115V.
- 450 A cont. , 1500 A for 1 minute.
- E&F contacts max 35 A.
- According to MIL-C-81790
- Bases are molded from reinforced material for low moisture absorption and high strength.
- 400 Hz Receptacles according to ISO461/1 AND ISO461/2, and US Military Specification MIL-C-81790 (A) / BS4G178 dimensions.
- Optional : Protected flange mounted 400Hz or 28Vdc connectors, Cast aluminium alloy housing and lid
- Crimped or soldered contacts , Mounting boxes available

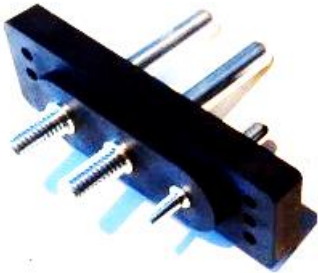
PARTNUMBERS

PLUG PART	Description
ACP6BR	400 hz , female receptacle, 6 poles, hard front section
ACP6BB	female receptacle, base plate.



Tailor made modular receptacle





*AN2552 receptacle
Without shield
ACP-RD-1*



*Receptacle with oval
Shield and Cover
ACP-RD-2*



*Receptacle with
Rectangular shield
ACP-RD-5*



*Receptacle with oval
Shield and cover
ACP-RD3*

GENERAL

- 3 poles receptacle, with a minimum of 90% IACS , molded from high-strength reinforced polymer.
- Meets requirements of MS3506-1 / MS90362.
- Receptacles are available in variety of styles to meet all your ground power connectors.
- Thermal shock -65° to + 200°C
- 2500 VRMS with <1 milli-amp leakage.
- 1500 A for 1 minute and 450 A Continues

PARTNUMBERS

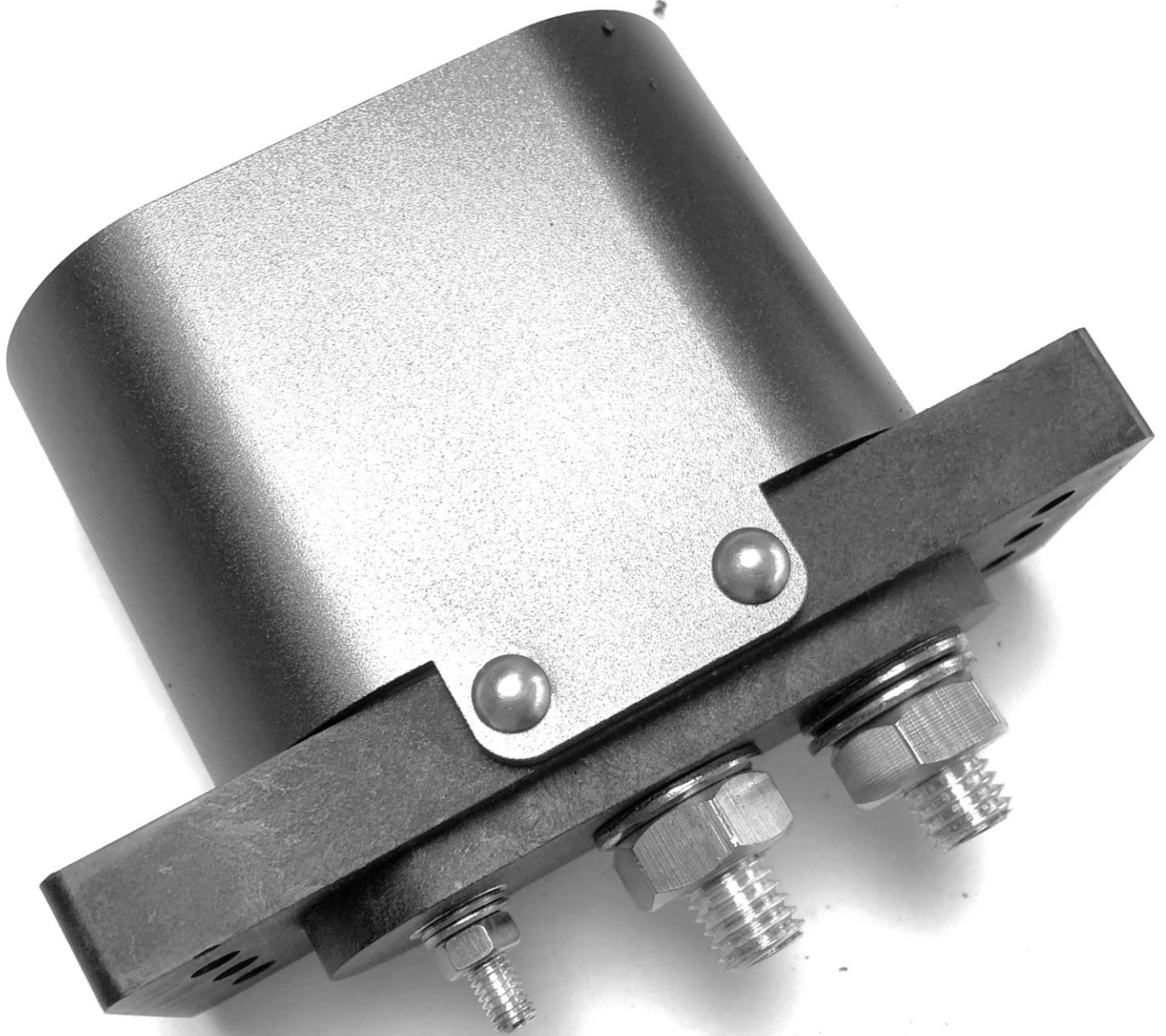
PLUG PART	Mil reference	Description
ACP-RD-1	-	Receptacle
ACP-RD-2	MS3506-1	Receptacle with oval shield
ACP-RD-3	-	Receptacle with oval shield and snap cover
ACP-RD-4	MS90362-1	Receptacle with oval shield and flanged cover
ACP-RD-5	-	Receptacle with rectangular shield
ACP-RD-6	MS25018-2	Receptacle with rectangular shield & flanged cover.
ACP-RD-7	-	Female receptacle.



GENERAL

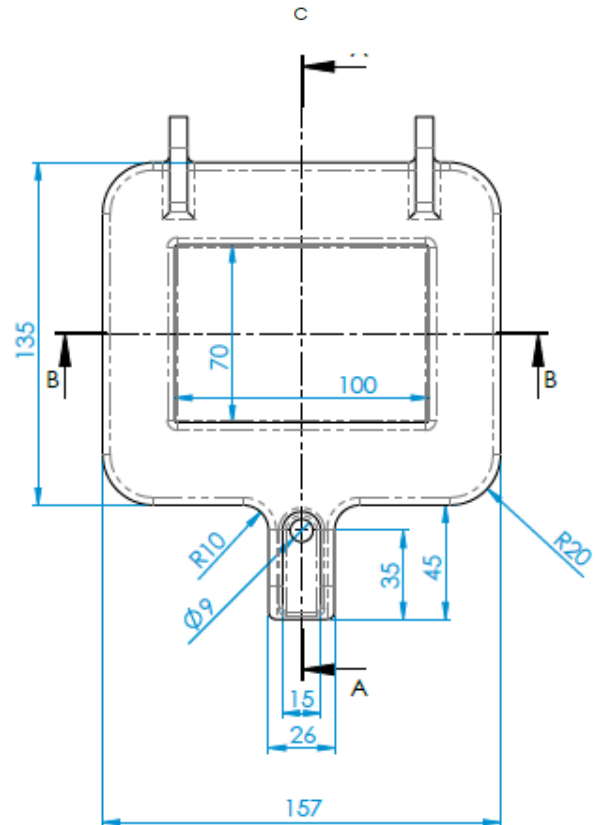
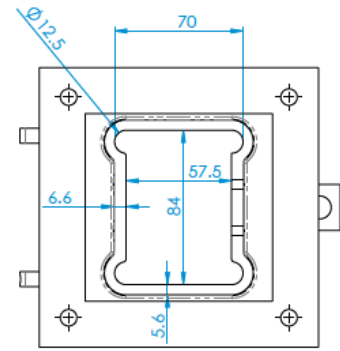
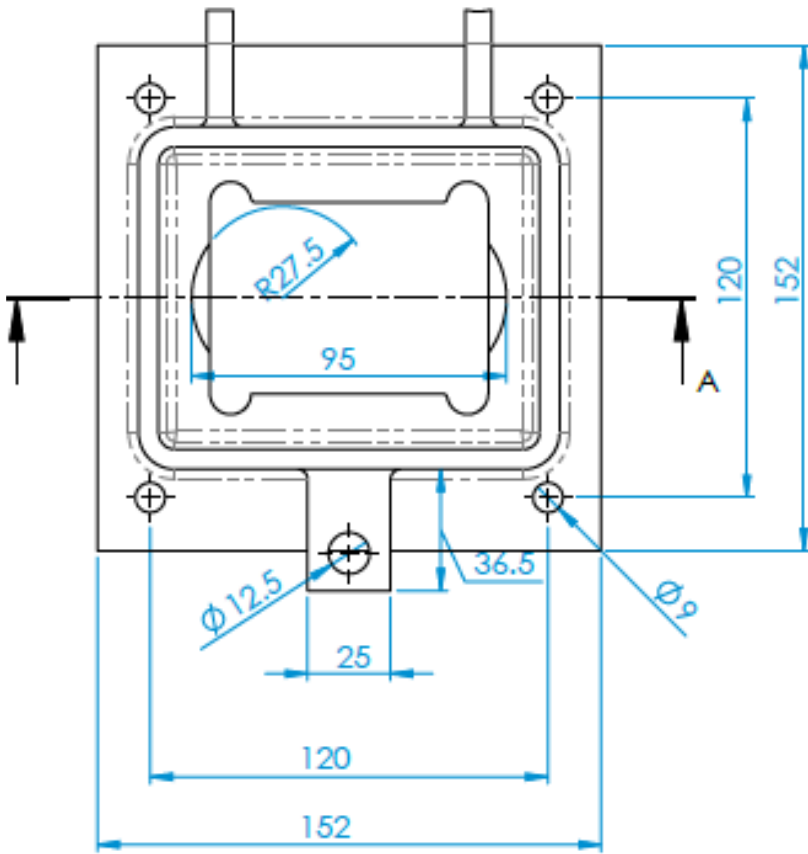
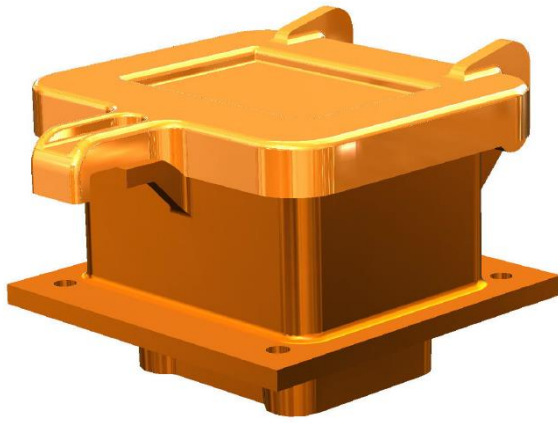
- 3 poles receptacle, with a minimum of 90% IACS , molded from high-strength reinforced polymer.
- Meets requirements of MS3506-1 / AN2552 / AN2551
- Receptacles are available in variety of styles to meet all your ground power connectors.
- Thermal shock -65° to + 200°C
- 2500 VRMS with <1 milli-amp leakage.
- 1500 A for 1 minute and 450 A Continues

PLUG PART	Mil reference	Description
ACP-AN-MS	-	Portable Receptacle MS3506-1 assembly with AN2551



AN2551 MS3506-1 External Power Receptacle







ACP-JB-1



ACP-JB-2



ACP-JB-3



ACP-JB-4



ACP-JB-5



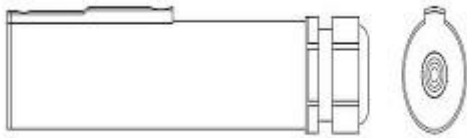
ACP-JB-6

GENERAL

- Sealed.
- Meets requirements of MS3506-1 / MS90362.
- Receptacles are available in variety of styles to meet all your ground power connectors.
- Thermal shock -65° to + 200°C
- 2500 VRMS with <1 milli-amp leakage.
- 1500 A for 1 minute and 450 A Continues

PARTNUMBERS

PLUG PART	Description
ACP-JB-1	Receptacle 28VDC
ACP-JB-2	Connector 28VDC
ACP-JB-3	Receptacle 115V / 400 Hz
ACP-JB-4	Connector 115V / 400 Hz
ACP-JB-5	Receptacle 115V / 400 Hz Green
ACP-JB-6	Receptacle 115V / 400 Hz Yellow



GENERAL

Mates with piper receptacle sockets.

This Electrical conductors is designed for maximum efficiency and long life.

With ground return terminal. Single pole.

Brass female contact with spring-grip tension provides solid engagement with the socket.

Cable clamp holds wires firmly in place. Diecast housing. Accepts up to 0AWG cable.

Cable assemblies manufactured to customer requirements available.

Maximum 1600A based on the resistance this would give less than a .1V drop per contact.

Accepts up to 0AWG cable. Diecast metal housings.

Electrical conductors and connections are designed for maximum efficiency and long life.

With ground return terminal.

Made in Belgium.

PARTNUMBERS

PLUG PART	Configuration	Description
ACP12VP	2 wires	12V piper style connector
ACP12VP-R	2 wires	12V piper style receptacle


GENERAL

- 4 or 2 wire , high impact resistance, removable nose section , rubber external power connector.
- 3 PIN NATO AN2551 external power connector for 12V / 24V or 28VDC application
- split control switch contact on request.
- 2 x 2 main wires configuration.
- Mates with AN2552 receptacle.
- Silver plated contacts.
- Special cable sizes and configurations on request.

PROPERTIES

450 A continuous , 1500 A for 1 minute, control contact 35 A continuous.

Mates with the aircraftplugs AN2552-3A external power receptacle.

Performance and dimensions to ISO 461 (BS4G173:1985) and appropriate MOD (Air) and NSN Standards.

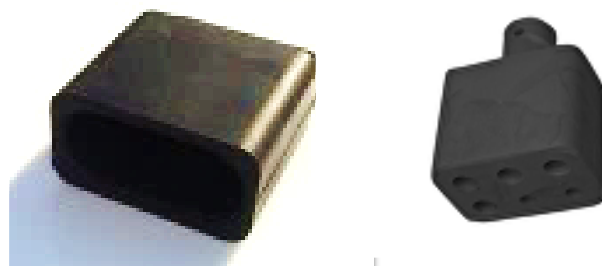
Cable assemblies to client requirements available.

Max. wire 120mm² or 4/0 AWG 250 MCM.

Stainless steel screws.

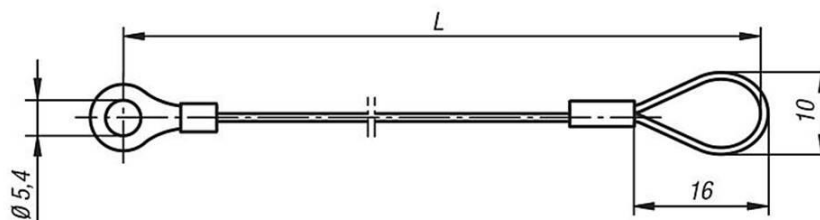
PARTNUMBERS

PLUG PART	Configuration	CABLE section	GRUMMET	RECEPTACLE
ACP3P1-5	4 wires or 2 wires	8mm ² #8/2	ACP3P1GW	ACP3R1
ACP3P2-5	4 wires	35mm ² 2-1/0	ACP3P2GW	ACP3R2
ACP3P3-5	4 wires	50 mm ² 2-1/0	ACP3P3GW	ACP3R3
ACP3P4-5	4 wires	70 mm ² 2-2/0 single conductor	ACP3P4GW	ACP3R4
ACP3P5-5	4 wires	70 mm ² 2-2/0	ACP3P5GW	ACP3R5
ACP3P6-5	4 wires	90 mm ² 2-3/0	ACP3P6GW	ACP3R6
ACP3P7-5	4 wires	120 mm ² 2-4/0 single conductor	ACP3P7GW	ACP3R7
ACP3P8-5	4 wires	120 mm ² 2-4/0 oval twin conductor	ACP3P8GW	ACP3R8
ACP3P9-5	4 wires	120 mm ² 2-2/0 welding single cond.	ACP3P9GW	ACP3R9


GENERAL

- high impact resistance, rubber external power connector nose cap.
- Mates with 3 PIN NATO AN2551 28 VDC / 3 poles external power connector or 400 Hz connector (2 versions)

PLUG PART	Description
ACP3PC	dust cover for 3 poles connector
ACP6PC	dust cover for 6 poles connector
ACP3PR	dust cover for 3 poles receptacle
ACP6PR	dust cover for 6 poles receptacle
ACP3PCL30	Lanyard for dust cover 30 cm
ACP3PRL50	Lanyard for dust cover 50 cm




GENERAL

- high impact resistance, rubber external power connector nose cab.
- Max 450 Amps – 3 Phase

PARTNUMBERS

PLUG PART	Description
ACPMS272656	MS272656
ACPMS272656D	dust cover
ACPMS272656R	Rear part





GENERAL

- Male female DC cable extensions durable rubber AN2551 / AN2552
- Optional with dust covers.
- Pure copper cable shoes.
- Made according to your requirements on request. (standard 70mm² cable)

PLUG PART	Description
ACPDCEXT50	50mm ² cable extension DC
ACPDCEXT70	70mm ² cable extension DC.


GENERAL

- Machined silver plated cable shoes.
- Crimping marking and cable section information on the cable shoes.
- Pure copper or brass cable shoes for crimping or soldering.
- Made according to your requirements on request.

PLUG PART	Description
ACPCLG15	15mm ² AWG 6 silver plated cable lug for main contacts.
ACPCLG35	35mm ² AWG 2 silver plated cable lug for main contacts.
ACPCLG50	50mm ² AWG 1/0 silver plated cable lug for main contacts.
ACPCLG70	70mm ² AWG 2/0 silver plated cable lug for main contacts.
ACPCLG90	90mm ² AWG 4/0 silver plated cable lug for main contacts.
ACPCLG120	120mm ² AWG 250 silver plated cable lug for main contacts.
ACPCLG4W	4 wires adapter lug
ACPCLGEF	E & F contact lugs



GENERAL

- High Current Capacity • Rugged Construction • Safety • Serviceability
- Heavy electrical loads: current range from 40 to 200 amperes .
- Direct current or single/three phase, 60/400 Hertz alternating current
- Automatic grounding for safety
- Meet MIL-DTL-22992 qualification
- Resistance to the operating environments of heat, moisture, vibration, high impact and immersion - see chart below.

For orders , contact us for specific part numbers



GENERAL

- Commercial Off-The-Shelf (COTS) derivative circular connectors exist that intermate with the military versions designed to MIL-C-5015/MIL-DTL-5015. Both COTS and military-style connectors are sometimes called "Type AN" connectors, "MS connectors" are notable manufacturers of this type of connectors. Aircraftplugs provides a "5015 series" rugged, versatile and environmental resistant connector with proven electrical capability in a cost effective package. 5015 series connectors are medium to heavy weight cylindrical connectors with 5 shell styles, 19 shell sizes and 5 service classes. The 5015 offers 305 contact arrangements from 1-to-104 circuits. Aircraftplugs and is the foremost manufacturer of Type "AN", MS and MS-type connectors with the widest range of connector styles, sizes and variations in the industry



GENERAL

- The NATO plug, available in different cabling configurations, is widely used by military land vehicles such as the HMMWV.

PROPERTIES

450 A continuous , 24V power supply

PARTNUMBERS

PLUG PART	Description
ACP_NT_24	24 V connector NATO version



GENERAL

- Aircraftplugs grummets for 400 hz or 28VDC connectors, to protect wires, cables , and make the assembly watertight.
- Different standard sizes or tailor made grummets.

PARTNUMBERS

PLUG PART	Description
See connector pages.	



ADVANTAGES

Aircraftplugs 400 Hz AC cables assemblies available in different sections.

- Double insulated
- High flexibility at all operating temperatures
- Low adhesion
- Abrasion resistant
- Optional 90 percent insert switch / push switches / Led
- Resistant to UV.

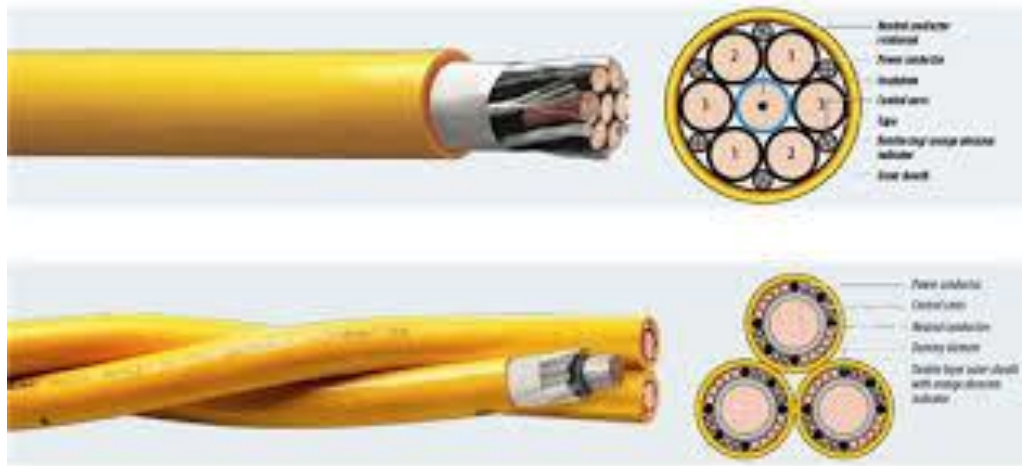


GENERAL

- Aircraftplugs 28VDC cables available in different sections , standard sections 25mm² , 50 mm² or 75 mm² , 90 mm² or 120 mm².

ADVANTAGES

- Double insulated
- High flexibility at all operating temperatures
- Low adhesion
- Abrasion resistant
- Halogen-free
- Resistant to UV radiation, oil, hydrolysis and microbial attack



GENERAL

- Single pole cables
- Cables with 4 control wires
- Stranded sets of 4 Cables with control wires
- Cables with 6 Cores twisted around neutral central core
- Cables with 3 Cores.
- Double insulated
- High flexibility at all operating temperatures
- Low adhesion
- Abrasion resistant
- Halogen-free
- Resistant to UV radiation, oil, hydrolysis and microbial attack





GENERAL

6-pole 400 Hz AC molded head- 3 poles DC molded head.
silver-plated tellurium copper power contacts
control contacts – control lead (twin conductor)
Jacketed wire cable with control lead
115/200 volts or 28VDC
3-phase power or DC
Minimum of 90% IACS conductivity

PARTNUMBERS

Please contact sales@aircraftplugs.com



PARTNUMBERS

Please contact sales@aircraftplugs.com



LCD Ground Power Cable Scuffer

Available in 3,9,10 or 12 meter or on request.

PARTNUMBERS

P/N	Description
ACPSCUFF3	Ground Power Cable Scuffer 3 meter
ACPSCUFF9	Ground Power Cable Scuffer 9 meter
ACPSCUFF10	Ground Power Cable Scuffer 10 meter
ACPSCUFF12	Ground Power Cable Scuffer 12 meter
ACPSCUFF9F	LCD Ground Power Cable Scuffer 9 meter





GENERAL

- Cable guidance with optional break away connectors for safety
- Powder coated construction for 400 hz or 28VDC cables assembly.
- Metallised corrosion protection
- Optional in your own colors.
- Feet for easy mounting to ramp service

PARTNUMBERS

PLUG PART	Description
ACPCBG1000	Aircraftplugs Cable guidance.

Aircraftplugs has over 10 years of experience in producing battery connectors and receptacles, including battery vents and tubes.

To facilitate installation and removal of the battery in some aircraft, a quick disconnect assembly is used to connect the power leads to the battery. This assembly, attaches the battery leads in the aircraft to a receptacle mounted on the side of the battery. The receptacle covers the battery terminal posts and prevents accidental shorting during the installation and removal of the battery. The plug consists of a socket and a handwheel with a coarse pitch thread. It can be readily connected to the receptacle by the handwheel. Another advantage of this assembly is that the plug can be installed in only one position, eliminating the possibility of reversing the battery leads.

We Produce different types of receptacles with different cables attachments .

MS3506 Style 1



- Mil-Spec qualified to MIL-PRF-18148/3 (MS3509). Military connector #'s include: MS3509-28, MS3509-28-1, MS3509-29, MS3509-29-1, MS3509-20, MS3509-30, MS3509-31, MS3509-32.
- Aircraftplugs battery receptacles maintain a low contact resistance, even when used in certain applications requiring 750 amps of continuous current, with peak current reaching 1500+ amps.



- Mil-Spec qualified to MIL-PRF-18148/3 (MS3509). Military connector #'s include: MS3509-28, MS3509-28-1, MS3509-29, MS3509-29-1, MS3509-20, MS3509-30, MS3509-31, MS3509-32.
- Aircraftplugs battery receptacles maintain a low contact resistance, even when used in certain applications requiring 750 amps of continuous current, with peak current reaching 1500+ amps.



- Mil-Spec qualified to MIL-PRF-18148/3 (MS3509). Military connector #'s include: MS3509-28, MS3509-28-1, MS3509-29, MS3509-29-1, MS3509-20, MS3509-30, MS3509-31, MS3509-32.
- Aircraftplugs battery receptacles maintain a low contact resistance, even when used in certain applications requiring 750 amps of continuous current, with peak current reaching 1500+ amps.



- Mil-Spec qualified to MIL-PRF-18148/3 (MS3509). Military connector #'s include: MS3509-28, MS3509-28-1, MS3509-29, MS3509-29-1, MS3509-20, MS3509-30, MS3509-31, MS3509-32.
- Aircraftplugs battery receptacles maintain a low contact resistance, even when used in certain applications requiring 750 amps of continuous current, with peak current reaching 1500+ amps.

MS3506 Style 1


- Mil-Spec qualified to MIL-PRF-18148/3 (MS3509). Military connector #'s include: MS3509-28, MS3509-28-1, MS3509-29, MS3509-29-1, MS3509-20, MS3509-30, MS3509-31, MS3509-32.
- Aircraftplugs battery receptacles maintain a low contact resistance, even when used in certain applications requiring 750 amps of continuous current, with peak current reaching 1500+ amps.

Mechanical properties

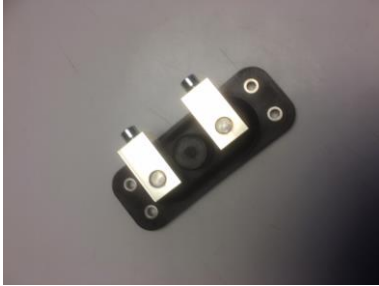
- Made with precision out of High temperature nylon
- Locking possible.
- Maximum Wire Size 4/0
- Environmental Sealing IP68 (pin connector) & IP55 (socket connector)
- Operating Temperature -40° C to +125° C
- Flammability Rating UL94 V-0
- Mates with all MS battery connectors.
- 99% pure red copper contacts.
- 5 micron or more durable silver plating.

Electrical properties

- Mil-Spec qualified to MIL-PRF-18148/3 (MS3509). Military connector #'s include: MS3509-28, MS3509-28-1, MS3509-29, MS3509-29-1, MS3509-20, MS3509-30, MS3509-31, MS3509-32.
- Aircraftplugs battery receptacles maintain a low contact resistance, even when used in certain applications requiring 750 amps of continuous current, with peak current reaching 3000+ amps. Rated voltage 1000 Volts

PARTNUMBERS

PLUG PART	Description
ACPCLG15	15mm ² AWG 6 silver plated cable lug for main contacts.
ACPCLG35	35mm ² AWG 2 silver plated cable lug for main contacts.
ACPCLG50	50mm ² AWG 1/0 silver plated cable lug for main contacts.
ACPCLG70	70mm ² AWG 2/0 silver plated cable lug for main contacts.
ACPCLG90	90mm ² AWG 4/0 silver plated cable lug for main contacts.

MS3506 Style 1


- Mil-Spec qualified to MIL-PRF-18148/3 (MS3509). Military connector #'s include: MS3509-28, MS3509-28-1, MS3509-29, MS3509-29-1, MS3509-20, MS3509-30, MS3509-31, MS3509-32.
- Aircraftplugs battery receptacles maintain a low contact resistance, even when used in certain applications requiring 750 amps of continuous current, with peak current reaching 1500+ amps.

Mechanical properties

- Made with precision out of High temperature nylon
- Locking possible.
- Maximum Wire Size 4/0
- Environmental Sealing IP68 (pin connector) & IP55 (socket connector)
- Operating Temperature -40° C to +125° C
- Flammability Rating UL94 V-0
- Mates with all MS battery connectors.
- 99% pure red copper contacts.
- 5 micron or more durable silver plating.


Electrical properties

- Mil-Spec qualified to MIL-PRF-18148/3 (MS3509). Military connector #'s include: MS3509-28, MS3509-28-1, MS3509-29, MS3509-29-1, MS3509-20, MS3509-30, MS3509-31, MS3509-32.
- Aircraftplugs battery receptacles maintain a low contact resistance, even when used in certain applications requiring 750 amps of continuous current, with peak current reaching 3000+ amps. Rated voltage 1000 Volts

PARTNUMBERS

PLUG PART	Description
ACPCLGTP	With TERMINAL ADAPTERS (Stock item).

MS3506 Style 2


- Mil-Spec qualified to MIL-PRF-18148/3 (MS3509). Military connector #'s include: MS3509-28, MS3509-28-1, MS3509-29, MS3509-29-1, MS3509-20, MS3509-30, MS3509-31, MS3509-32.
- Aircraftplugs battery receptacles maintain a low contact resistance, even when used in certain applications requiring 750 amps of continuous current, with peak current reaching 1500+ amps.

Mechanical properties

- Made with precision out of High temperature nylon
- Locking possible.
- Own color scheme and logo possible (minimum quantity required).
- Standard color black.
- Aircraftplugs battery receptacles maintain a low contact resistance, even when used in certain applications requiring 750 amps of continuous current, with peak current reaching 1500+ amps.

Electrical properties

- Mil-Spec qualified to MIL-PRF-18148/3 (MS3509). Military connector #'s include: MS3509-28, MS3509-28-1, MS3509-29, MS3509-29-1, MS3509-20, MS3509-30, MS3509-31, MS3509-32.
- Aircraftplugs battery receptacles maintain a low contact resistance, even when used in certain applications requiring 750 amps of continuous current, with peak current reaching 3000+ amps.
- Rated voltage 1000 Volt.

PARTNUMBERS

PLUG PART	Description
ACPCLG15	15mm ² AWG 6 silver plated cable lug for main contacts.
ACPCLG35	35mm ² AWG 2 silver plated cable lug for main contacts.
ACPCLG50	50mm ² AWG 1/0 silver plated cable lug for main contacts.
ACPCLG70	70mm ² AWG 2/0 silver plated cable lug for main contacts.
ACPCLG90	90mm ² AWG 4/0 silver plated cable lug for main contacts.

MS3506 Style 2



- Mil-Spec qualified to MIL-PRF-18148/3 (MS3509). Military connector #'s include: MS3509-28, MS3509-28-1, MS3509-29, MS3509-29-1, MS3509-20, MS3509-30, MS3509-31, MS3509-32.
- Aircraftplugs battery receptacles maintain a low contact resistance, even when used in certain applications requiring 750 amps of continuous current, with peak current reaching 1500+ amps.

Mechanical properties

- Made with precision out of High temperature nylon
- Locking possible.
- Own color scheme and logo possible (minimum quantity required).
- Standard color black.
- Aircraftplugs battery receptacles maintain a low contact resistance, even when used in certain applications requiring 750 amps of continuous current, with peak current reaching 1500+ amps.

Electrical properties

- Mil-Spec qualified to MIL-PRF-18148/3 (MS3509). Military connector #'s include: MS3509-28, MS3509-28-1, MS3509-29, MS3509-29-1, MS3509-20, MS3509-30, MS3509-31, MS3509-32.
- Aircraftplugs battery receptacles maintain a low contact resistance, even when used in certain applications requiring 750 amps of continuous current, with peak current reaching 1500+ amps.

PARTNUMBERS

MS3506 Style 2



- Mil-Spec qualified to MIL-PRF-18148/3 (MS3509). Military connector #'s include: MS3509-28, MS3509-28-1, MS3509-29, MS3509-29-1, MS3509-20, MS3509-30, MS3509-31, MS3509-32.
- Aircraftplugs battery receptacles maintain a low contact resistance, even when used in certain applications requiring 750 amps of continuous current, with peak current reaching 1500+ amps.

Mechanical properties

- Made with precision out of High temperature nylon
- Locking possible.
- Own color scheme and logo possible (minimum quantity required).
- Standard color black.
- Aircraftplugs battery receptacles maintain a low contact resistance, even when used in certain applications requiring 750 amps of continuous current, with peak current reaching 1500+ amps.

Electrical properties

- Mil-Spec qualified to MIL-PRF-18148/3 (MS3509). Military connector #'s include: MS3509-28, MS3509-28-1, MS3509-29, MS3509-29-1, MS3509-20, MS3509-30, MS3509-31, MS3509-32.
- Aircraftplugs battery receptacles maintain a low contact resistance, even when used in certain applications requiring 750 amps of continuous current, with peak current reaching 1500+ amps.

PARTNUMBERS

MS3506 Style 2



- Mil-Spec qualified to MIL-PRF-18148/3 (MS3509). Military connector #'s include: MS3509-28, MS3509-28-1, MS3509-29, MS3509-29-1, MS3509-20, MS3509-30, MS3509-31, MS3509-32.
- Aircraftplugs battery receptacles maintain a low contact resistance, even when used in certain applications requiring 750 amps of continuous current, with peak current reaching 1500+ amps.

Mechanical properties

- Made with precision out of High temperature nylon
- Locking possible.
- Own color scheme and logo possible (minimum quantity required).
- Standard color black.
- Aircraftplugs battery receptacles maintain a low contact resistance, even when used in certain applications requiring 750 amps of continuous current, with peak current reaching 1500+ amps.

Electrical properties

- Mil-Spec qualified to MIL-PRF-18148/3 (MS3509). Military connector #'s include: MS3509-28, MS3509-28-1, MS3509-29, MS3509-29-1, MS3509-20, MS3509-30, MS3509-31, MS3509-32.
- Aircraftplugs battery receptacles maintain a low contact resistance, even when used in certain applications requiring 750 amps of continuous current, with peak current reaching 1500+ amps.

PARTNUMBERS



Battery connector MS 25182-2



GENERAL

- Meets MS 25182-2
- 750 Amps cont. 1500 A for 1 minute.
- 5000 engagements
- It is designed to operate at temperature extremes of -65F to +160F.
- Different config :
 - Extended Handle
 - Extended Terminal Length
 - Low Profile w/ Stainless Steel Handle

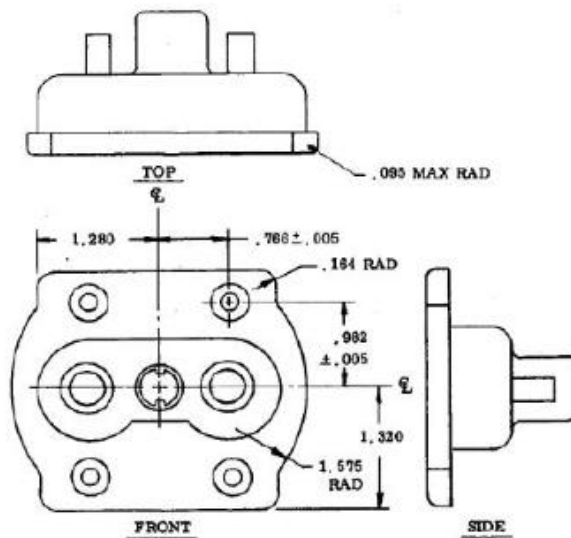


PARTNUMBERS

PLUG PART	Configuration
MS 25182-2 – ACP1	Extended Handle
MS 25182-2 – ACP2	Extended Terminal Length
MS 25182-2 – ACP3	Low Profile w/ Stainless Steel Handle



MS3509 Style 2



ALL DIMENSIONS ARE TYPICAL. ALL TOLERANCES ARE $\pm .010$ UNLESS OTHERWISE SPECIFIED.



GENERAL

- Meets MS 25182-2
- 750 Amps cont. 1500 A for 1 minute.
- 5000 engagements
- It is designed to operate at temperature extremes of -65F to +160F.
- Different config :
 - Extended Handle
 - Extended Terminal Length
 - Low Profile w/ Stainless Steel Handle

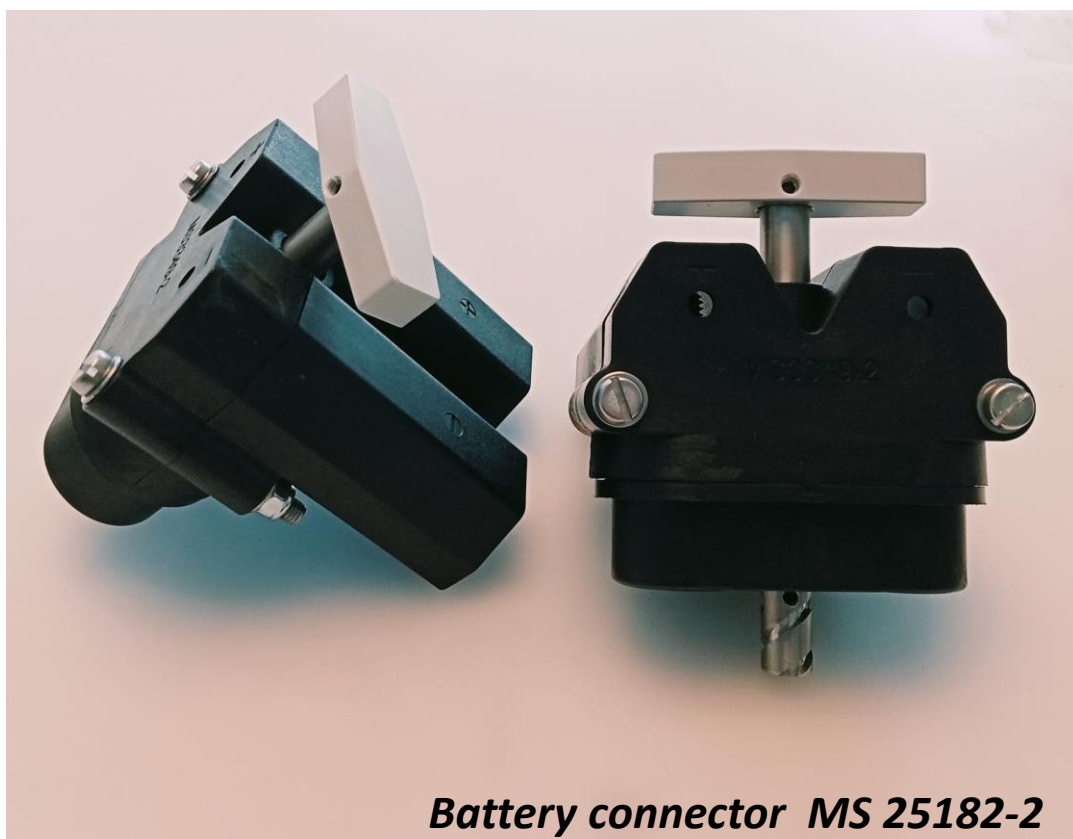


PARTNUMBERS

PLUG PART	Configuration
MS 25182-2 – ACP1	Extended Handle
MS 25182-2 – ACP2	Extended Terminal Length
MS 25182-2 – ACP3	Low Profile w/ Stainless Steel Handle



Battery connector MS 25182-2


Battery connector MS 25182-2
ADVANTAGES

- Meets MS 25182-2
- 750 Amps cont. 1500 A for 1 minute.
- 5000 engagements
- It is designed to operate at temperature extremes of -65F to +160F.
- Different config :
 - Extended Handle
 - Extended Terminal Length
 - Low Profile w/ Stainless Steel Handle

PARTNUMBERS

PLUG PART	Configuration
MS 25182-2 – ACP1	Extended Handle
MS 25182-2 – ACP2	Extended Terminal Length
MS 25182-2 – ACP3	Low Profile w/ Stainless Steel Handle
MS 25182-2 – ACP4	Low Profile T Handle

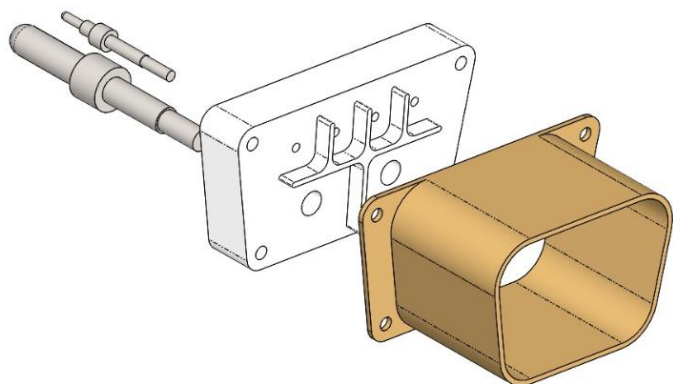


GENERAL

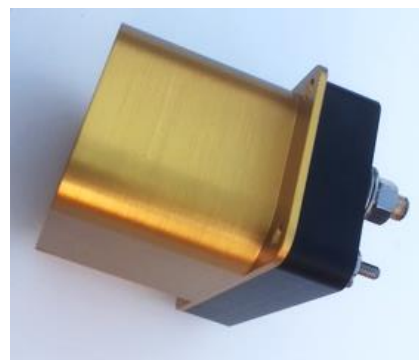
- 4, wire , high impact resistance battery connector
- Silver plated contacts.
- Special cable sizes and configurations on request.

PROPERTIES




GENERAL

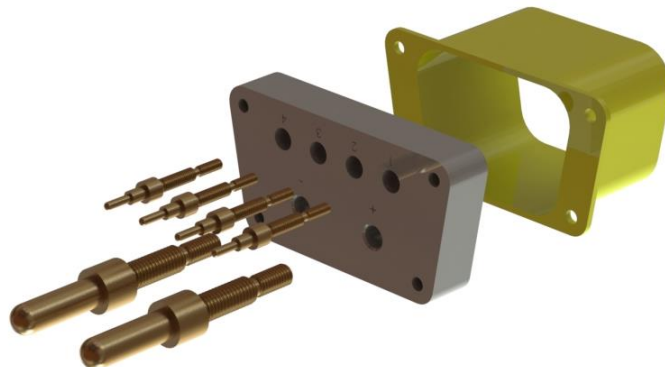
- high impact resistance connector. Ideally suited for any 270 VDC applications, including the F-22 & F-35 aircraft.
- Precision CNC , Silver plated contacts.
- Anodized aluminium shield.

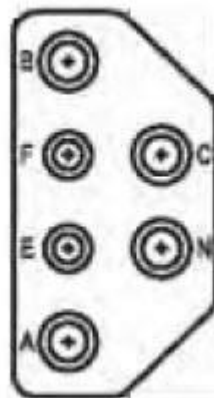

PARTNUMBERS

PART	P/N
270 VDC receptacle (without shield and with contacts)	ACP270VDCR
270 VDC shield	ACP270VDCS
270 VDC main contact	ACP270VDCU
270 VDC sense contact	ACP270VDCV
270 VDC rear cover	ACP270VDCN



270 VDC receptacle





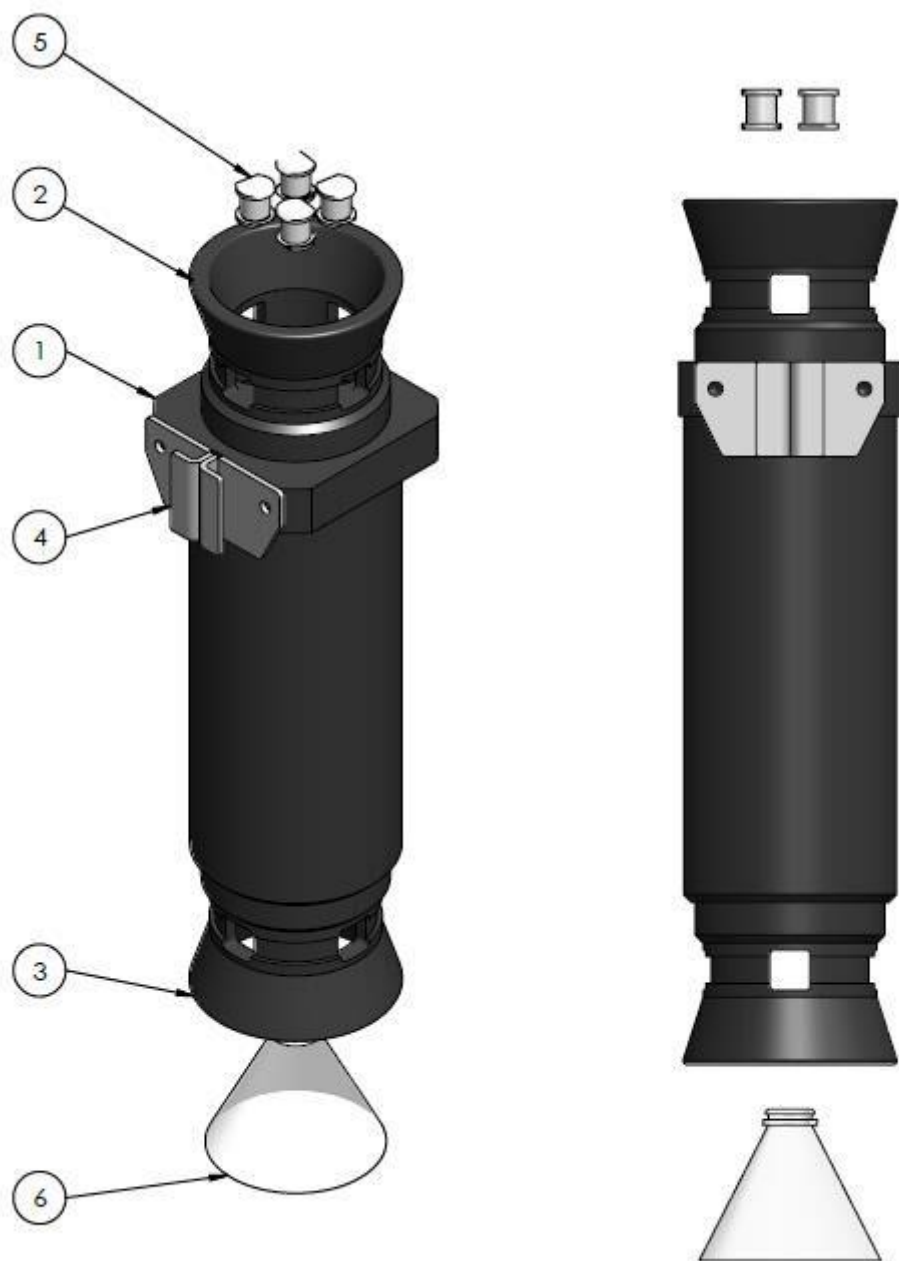
GENERAL

- High impact resistance connector. Ideally suited for any 270 VDC applications, including the F-22 & F-35 aircraft.
- Precision CNC , Silver plated sockets
- Vertical no maintenance.
- Resistant to abrasion, petroleum products & ozone/environmental deterioration
- Ideally suited for most common intelligent fast charging applications
- Lugs or Euro Connector on connection end
- Removable nose section

PARTNUMBERS

PART	P/N
270 VDC connector	ACP270VDCC
(specify cable section upon ordering)	

Portable busbar





GENERAL

- Pin Tension Gauge is used for testing insertion and retraction forces on worn aircraft cable connector.
- The Individual power contacts shall measure 24 lbs maximum insertion (A,B,C,N), extraction 16-24 lbs.; auxiliary contacts shall measure 21lbs max. (E,F).

PROPERTIES

- Silver plated test pins included.
- Including test pins and sockets.
- Easy interchangeable pins and sockets.
- Test your connectors and receptacles accurate, can be mounted on a stand. (or hand operated).
- Turnable display: automatic direction identification
- Secure operability due to ergonomic design.
- Real time or Peak Hold Mode to observe transients or capture peaks.
- Selectable measuring units: N, lb, kg, oz.
- Auto power off.

PARTNUMBERS

PART	Configuration
ACPDFM	Aircraftplugs digital force meter including all pins and sockets.
ACPAFM	Aircraftplugs analogue force meter including all pins and sockets.



GENERAL

- Pin Tension Gauge is used for testing insertion and retraction forces on worn aircraft cable connector.
- The Individual power contacts shall measure 24 lbs maximum insertion (A,B,C,N), extraction 16-24 lbs.; auxiliary contacts shall measure 21lbs max. (E,F).

PROPERTIES

- Silver plated test pins included.
- Including test pins and sockets.
- Easy interchangeable pins and sockets.
- Test your connectors and receptacles accurate, can be mounted on a stand. (or hand operated)..
- Real time or Peak Hold Mode to observe transients or capture peaks.

PARTNUMBERS

PART	Configuration
ACPDFM	Aircraftplugs digital force meter including all pins and sockets.
ACPAFM	Aircraftplugs analogue force meter including all pins and sockets.

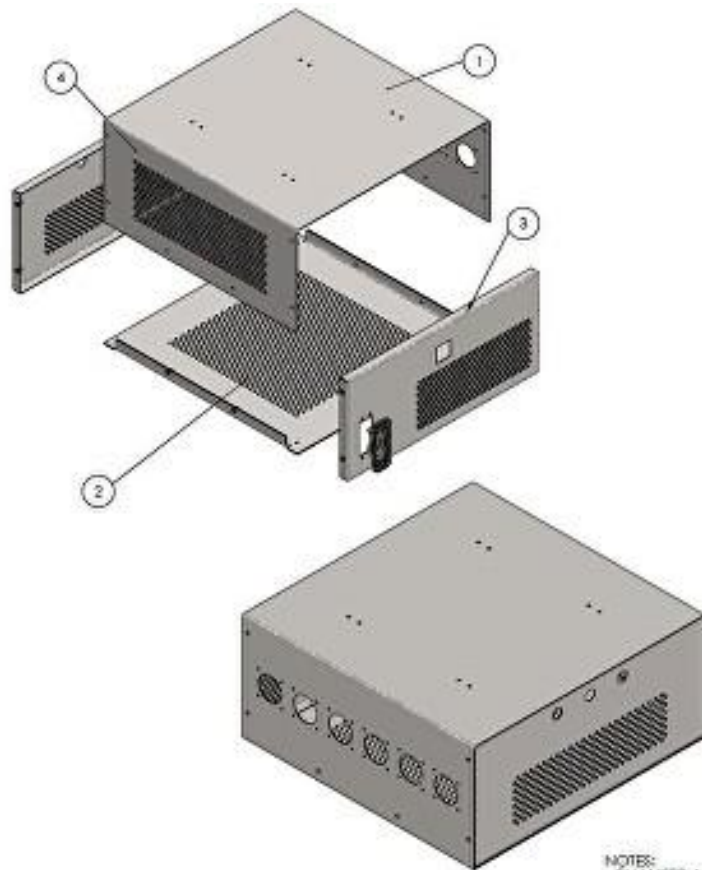


GENERAL

- Visit our sister company website for full details www.aero-pac.Com

PROPERTIES

Low ripple
Overvoltage protection
Reverse current protection
Auto cooling fan.
AN2551 connectors with long lead.



NOTES:
- CHAMFER ALL !!

PROPERTIES

We design enclosures on request, or made according to your drawing.
In aluminium or metal sheet.
Welded or screw together, powder coated into your color.
We perform the electrical inside installation on request.



GENERAL

- Nominal operating voltage: 12V/24V
- Max. continuous operating current: 100A
- Max. peak current: 500A for 5secs
- Ingress Protection (IP) rating: IP43 (solid objects >1mm and spraying water)
- Operating temp: -40°C to +50°C
- Terminal contact material: Copper
- Nut material: Zinc-plated steel
- Terminal stud size: M8 x 13mm
- Panel hole size for barrel clearance: 23mm
- Fixing hole dia: 6.6mm
- Fixing hole pitch: 38mm
- Overall height (inc. key): 106mm
- Diameter of body: 58mm
- Optional with locking key.

PARTNUMBERS

PLUG PART	Description
ACPBSC-1	Battery main switch – removable key
ACPBSC-2	Battery main switch – non removable key
ACPBSC-3	Battery main switch – with lock



GENERAL

- 3 LED battery level indicator that can be used for monitoring the voltage level of 12V or 24V

PARTNUMBERS

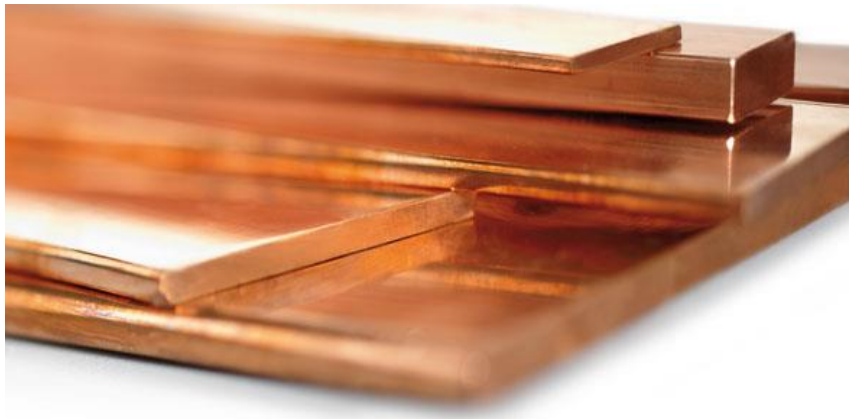
PLUG PART	Configuration
ACPBATT12V	12 V battery indicator
ACPBATT24V	24 V battery indicator


GENERAL

- Battery cables provide the vital link between the battery, load and charging system.
- Faulty connections can lead to poor system performance,

PARTNUMBERS

PLUG PART	Cable section	CABLE section
ACPBCPL-1	14 AWG – 1mm ²	20 A
ACPBCPL-1	12 AWG – 3 mm ²	30 A
ACPBCPL-1	10 AWG - 5 mm ²	40 A
ACPBCPL-1	8 AWG - 10 mm ²	55 A
ACPBCPL-1	6 AWG – 15 mm ²	75 A
ACP3P6	4 AWG – 25 mm ²	95 A
ACP3P7	2 AWG - 35 mm ²	130 A
ACP3P8	1 AWG – 40 mm ²	150 A
ACP3P9	1/0 AWG – 55 mm ²	170 A
ACP3P9	2/0 AWG – 70 mm ²	265 A
ACP3P9	4/0 AWG – 110 mm ²	360 A

**GENERAL**

- Large stock
- Pure copper or brass.
- CNC machined if required and cut and bended according to your drawing.

PART	sizes	Standard length
Round	4 till 200 mm	4 m
Bars	6x6 till 80 x 40 mm	4 m
Plates	Thickness from 0,3 mm till 80 mm	1 m or 2 m


GENERAL

- Aircraftplugs connectors are genderless - two identical connectors are mated by turning one of them through 180 degrees and pushing them together. There are no male or female contacts. The high power contacts must be connected to the cable and inserted in the housings in order to connect the two connectors. This is because flat wipe Aircraftplugs connector type contacts are held in place by a spring that is depressed by the insertion of a contact.

PARTNUMBERS

PLUG PART	Amperage	Description
ACPBPC-1	50 A	Grey – dual poles
ACPBPC-2	50 A	Red – dual poles
ACPBPC-3	175 A	Grey – dual poles
ACPBPC-4	175 A	Red – dual poles
ACPBPC-5	Handle	Red insert handle
ACPBPC-6	350 A	Grey – dual poles
ACPBPC-7	350 A	Red – dual poles
ACPBPC-8	600 A	Grey – dual poles
ACPBPC-9	600 A	Red – dual poles

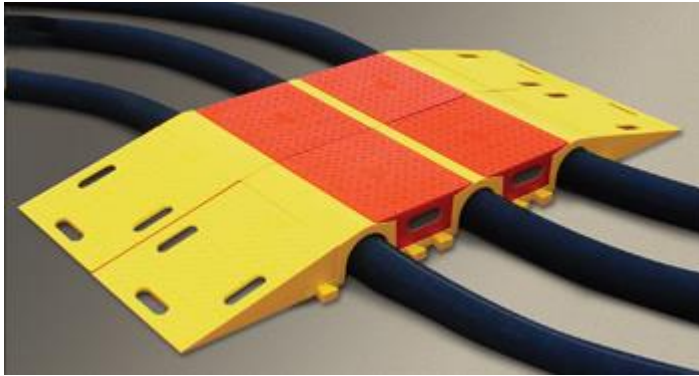
Not all partnumbers / configurations are listed, check with sales@aircraftplugs.com for specific requirements.

**GENERAL**

- Our compression lugs are manufactured from high-conductivity seamless copper tube to EN 12735 with a purity greater than 99.5% each product is designed to meet the requirements of BS4579 Part 3 when used with the appropriate die set/compression tool combination.
- For copper and aluminium cables

PART NUMBER

PART no	Cable section	Fixing bolt
ACPL-10	10 mm ²	Available for M6/M8/M10
ACPL-16	16 mm ²	Available for M6/M8/M10
ACPL-25	25 mm ²	Available for M6/M8/M10/M12/M14
ACPL-36	36 mm ²	Available for M6/M8/M10/M12/M14
ACPL-50	50 mm ²	Available for M6/M8/M10/M12/M14
ACPL-70	70 mm ²	Available for M6/M8/M10/M12/M14
ACPL-90	90 mm ²	Available for M6/M8/M10/M12/M14
ACPL-120	120 mm ²	Available for M6/M8/M10/M12/M14



GENERAL

- Cable protectors from aircraftplugs are designed to create a safe environment where volumes of pedestrians and vehicle traffic are high , mainly for airport usage.
- Different cable sections max 120 mm²
- Rubber or pvc.
- Specify requested length

PARTNUMBERS

PLUG PART	Configuration
ACPPP-1	25mm ² cable
ACPPP-2	50 mm ² cable
ACPPP-3	70 mm ² cable
ACPPP-4	90 mm ² cable
ACPPP-5	120 mm ² cable



GENERAL

- Make cable identification a breeze with these wire markers, self-laminating cable labels, marker eze with these wire markers, self-laminating cable labels, marker

PARTNUMBERS

Different solutions check with sales@aircraftplugs.Com



- wide [operating temperature](#) range (-55 to 175 °C),
- low [coefficient of friction](#),
- high resistance to chemicals and punctures
- Crimping ratio 2 : 1 minimum. (large sections have glue inside)

Part no.	Section diameter
ACPCK-1	1,6 : 0,8 mm
ACPCK-2	3,2 : 1,6 mm
ACPCK-3	6,4 : 3,2 mm
ACPCK-4	12,7 : 6,3 mm
ACPCK-5	25,4 : 12 mm (optional with glue)
ACPCK-6	50,8 : 25 mm (with glue)
ACPCK-7	75 : 37 mm (with glue)
ACPCK-8	100 : 50 mm (with glue)
ACPCK-9	150 : 75 mm (with glue)



- Battery drain / vent tubes.
- When a battery is charged and discharged, water contained in the electrolyte is decomposed, generating hydrogen and oxygen gases. These gases are vented out of the battery through the exhaust vent tube to prevent potentially damaging high pressure gas accumulation.

Part no.	Section diameter (outer / inner diameter)
ACPVENT1	7 : 5 mm
ACPVENT2	8 : 6 mm
ACPVENT3	11 : 8 mm



GENERAL

- reduce the drag of the cable making it more efficient to move the cable into place.

PARTNUMBERS

PLUG PART	CABLE section
ACPPROTECT-1	Scuff Rings-400Hz
ACPPROTECT-2	Scuff Rings-400Hz
ACPSTRAP	Cable strap



GENERAL

- Aircraftplugs make spring operated cable reeling drums are powered with springs and has an automatic rewind feature which provides an extremely simple way of supplying power to machines such as cranes and hoists. These spring cable reeling drums are used for both AC and DC applications. These reels recovers and store the cable in multiple layers on the drum.

Standard reels are supplied for the cable fed in the clockwise direction, when viewed from the slipping side. The same can be provided for anticlockwise feed of cable also. These reels are extremely simple to mount, and can be mounted on the structure with the help of a supporting flange - If no suitable structure is available, then Unbalanced Vibrator Motor a bracket can be connected to the flange and this can be fixed to the floor or tray etc.

The springs used in these reels are manufactured from the highest quality materials and are of clock spring type. A wide range of characteristics can be obtained by assembling these springs singly or in series or in parallel.

- Request more information : sales@aircraftplugs.com



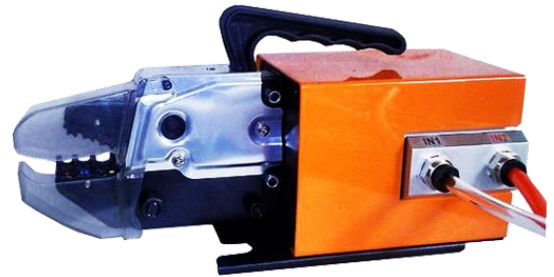
GENERAL

- Aircraftplugs make spring operated cable reeling drums are powered with springs and has an automatic rewind feature which provides an extremely simple way of supplying power to machines such as cranes and hoists. These spring cable reeling drums are used for both AC and DC applications. These reels recovers and store the cable in multiple layerson the drum.

Standard reels are supplied for the cable fed in the clockwise direction, when viewed from the slipping side. The same can be provided for anticlockwise feed of cable also. These reels are extremely simple to mount, and can be mounted on the structure with the help of a supporting flange - If no suitable structure is available, then Unbalanced Vibrator Motor a bracket can be connected to the flange and this can be fixed to the floor or tray etc.

The springs used in these reels are manufactured from the highest quality materials and are of clock spring type. A wide range of characteristics can be obtained by assembling these springs singly or in series or in parallel.

- Request more information : sales@aircraftplugs.com



GENERAL

- Aircraftplugs make spring operated cable reeling drums are powered with springs and has an automatic rewind feature which provides an extremely simple way of supplying power to machines such as cranes and hoists. These spring cable reeling drums are used for both AC and DC applications. These reels recovers and store the cable in multiple layerson the drum.

Standard reels are supplied for the cable fed in the clockwise direction, when viewed from the slipping side. The same can be provided for anticlockwise feed of cable also. These reels are extremely simple to mount, and can be mounted on the structure with the help of a supporting flange - If no suitable structure is available, then Unbalanced Vibrator Motor a bracket can be connected to the flange and this can be fixed to the floor or tray etc.

The springs used in these reels are manufactured from the highest quality materials and are of clock spring type. A wide range of characteristics can be obtained by assembling these springs singly or in series or in parallel.

- Request more information : sales@aircraftplugs.com



GENERAL

- Request more information : sales@aircraftplugs.com



GENERAL

- For fueling or maintenance operations and complies with mil-spec M83413/7-1
- MS-3493-5
-

- Request more information : sales@aircraftplugs.com





GENERAL

- NAS shear bolts have a distinctive thin style, dimpled hex head and short thread. To be used in only shear applications with no threads exposed in the shear
- Request more information : sales@aircraftplugs.com



GENERAL

- Request more information : sales@aircraftplugs.com



GENERAL

- Request more information : sales@aircraftplugs.com



GENERAL

- Currently, our maximum turning capacity is 31.5" O.D. by 34" long. Our machining capacity is 50" wide x 40" long x 17" high and 2,500 pounds. A look at our state-of-the-art CNC machined part facility will show:
- CNC Live Tooling
- Turning Centers
- Sub Spindle Technology
- Cell Manufacturing
- CNC Machining Centers
- Bar Feed Machining Cells
- Auto Loading Robotic Turning Centers



GENERAL

- Aircraftplugs make spring operated cable reeling drums are powered with springs and has an automatic rewind feature which provides an extremely simple way of supplying power to machines such as cranes and hoists. These spring cable reeling drums are used for both AC and DC applications. These reels recovers and store the cable in multiple layers on the drum.

Standard reels are supplied for the cable fed in the clockwise direction, when viewed from the slipping side. The same can be provided for anticlockwise feed of cable also. These reels are extremely simple to mount, and can be mounted on the structure with the help of a supporting flange - If no suitable structure is available, then Unbalanced Vibrator Motor a bracket can be connected to the flange and this can be fixed to the floor or tray etc.

The springs used in these reels are manufactured from the highest quality materials and are of clock spring type. A wide range of characteristics can be obtained by assembling these springs singly or in series or in parallel.

- Request more information : sales@aircraftplugs.com

Male BNC**Female BNC****Male TNC****Female TNC****GENERAL**

- Aircraftplugs make spring operated cable reeling drums are powered with springs and has an automatic rewind feature which provides an extremely simple way of supplying power to machines such as cranes and hoists. These spring cable reeling drums are used for both AC and DC applications. These reels recovers and store the cable in multiple layers on the drum.

Standard reels are supplied for the cable fed in the clockwise direction, when viewed from the slipping side. The same can be provided for anticlockwise feed of cable also. These reels are extremely simple to mount, and can be mounted on the structure with the help of a supporting flange - If no suitable structure is available, then Unbalanced Vibrator Motor a bracket can be connected to the flange and this can be fixed to the floor or tray etc.

The springs used in these reels are manufactured from the highest quality materials and are of clock spring type. A wide range of characteristics can be obtained by assembling these springs singly or in series or in parallel.

- Request more information : sales@aircraftplugs.com



GENERAL

- Aircraftplugs make spring operated cable reeling drums are powered with springs and has an automatic rewind feature which provides an extremely simple way of supplying power to machines such as cranes and hoists. These spring cable reeling drums are used for both AC and DC applications. These reels recovers and store the cable in multiple layers on the drum.

Standard reels are supplied for the cable fed in the clockwise direction, when viewed from the slipping side. The same can be provided for anticlockwise feed of cable also. These reels are extremely simple to mount, and can be mounted on the structure with the help of a supporting flange - If no suitable structure is available, then Unbalanced Vibrator Motor a bracket can be connected to the flange and this can be fixed to the floor or tray etc.

The springs used in these reels are manufactured from the highest quality materials and are of clock spring type. A wide range of characteristics can be obtained by assembling these springs singly or in series or in parallel.

- Request more information : sales@aircraftplugs.com



Technical data

- Aircraftplugs GPU testers for AC and DC.
- Tailor made solutions available.
- Send an email to info@aircraftplugs.com for more information.

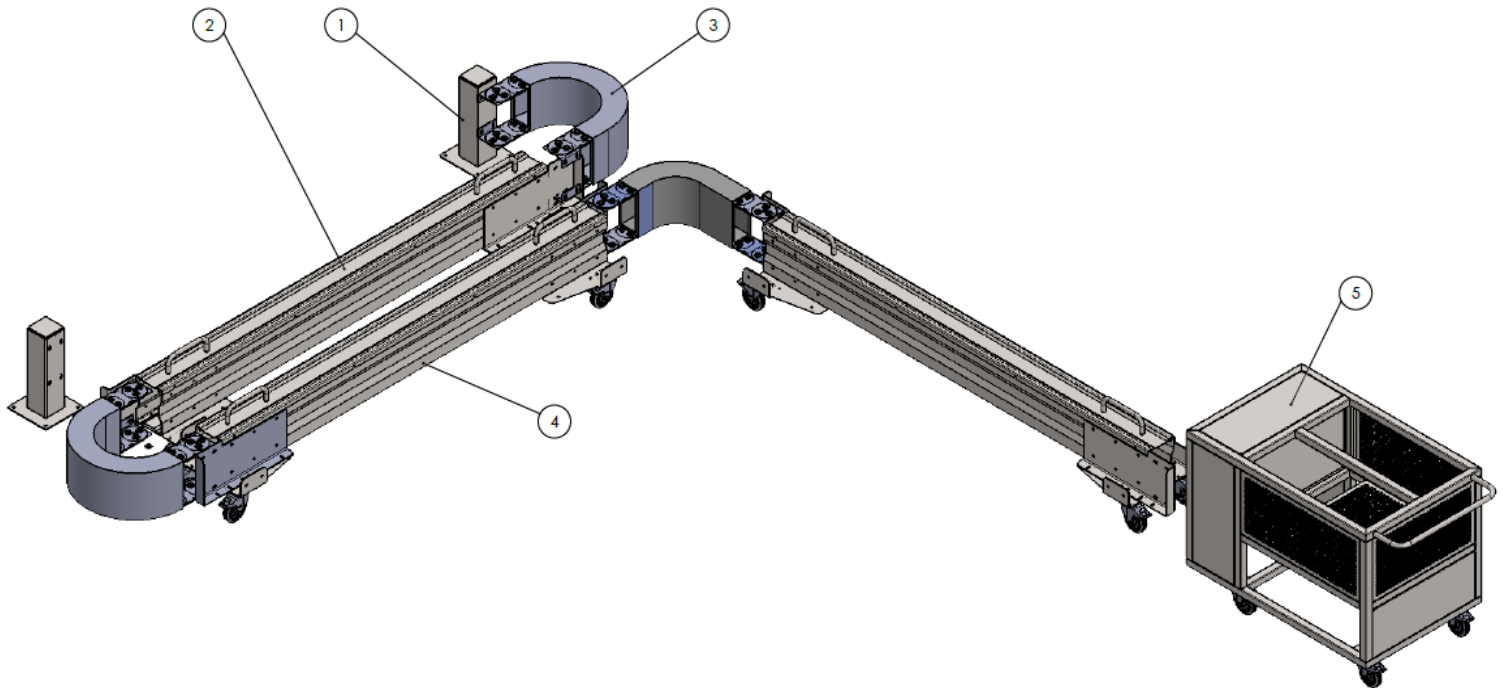


[More information](#)

- Do you look for PCA adapters , Airstart couplings , LAV – Water 1 inch $\frac{3}{4}$ inch couplings, we produce them and have large stock.







More information

- Please contact our sales team for crocodile cable carriers , tailor made solutions.



More information

- The Aircraftplugs-tite aperture has been designed and engineered to give the plug greater compression than standard solid plugs ensuring a perfect seal whilst still being able to cut to size if needed.
- Greater resistance to most oils within temperature range from -25°C up to 90°C
- Does not shrink, leak or discolor
- Resistant to sunlight for greater shelf life, does not split/crack or deteriorate
- Easy to use. Insert, squeeze, press home and release
- The compressed rubber ensures a tight fit.
- Large stock levels.

Main usage
Designed and used to prevent the leakage and contamination of various fluids, including hydraulics, and chemicals, during the service, maintenance, and storage of machinery and equipment. The Aircraftplugs-tite aperture has been designed and engineered to give the plug greater compression than standard solid plugs ensuring a perfect seal whilst still being able to cut to size if needed. Used in Industrial areas such as hydraulic, chemical, processing, MRO, HVAC, Mining, Heavy equipment.



More information

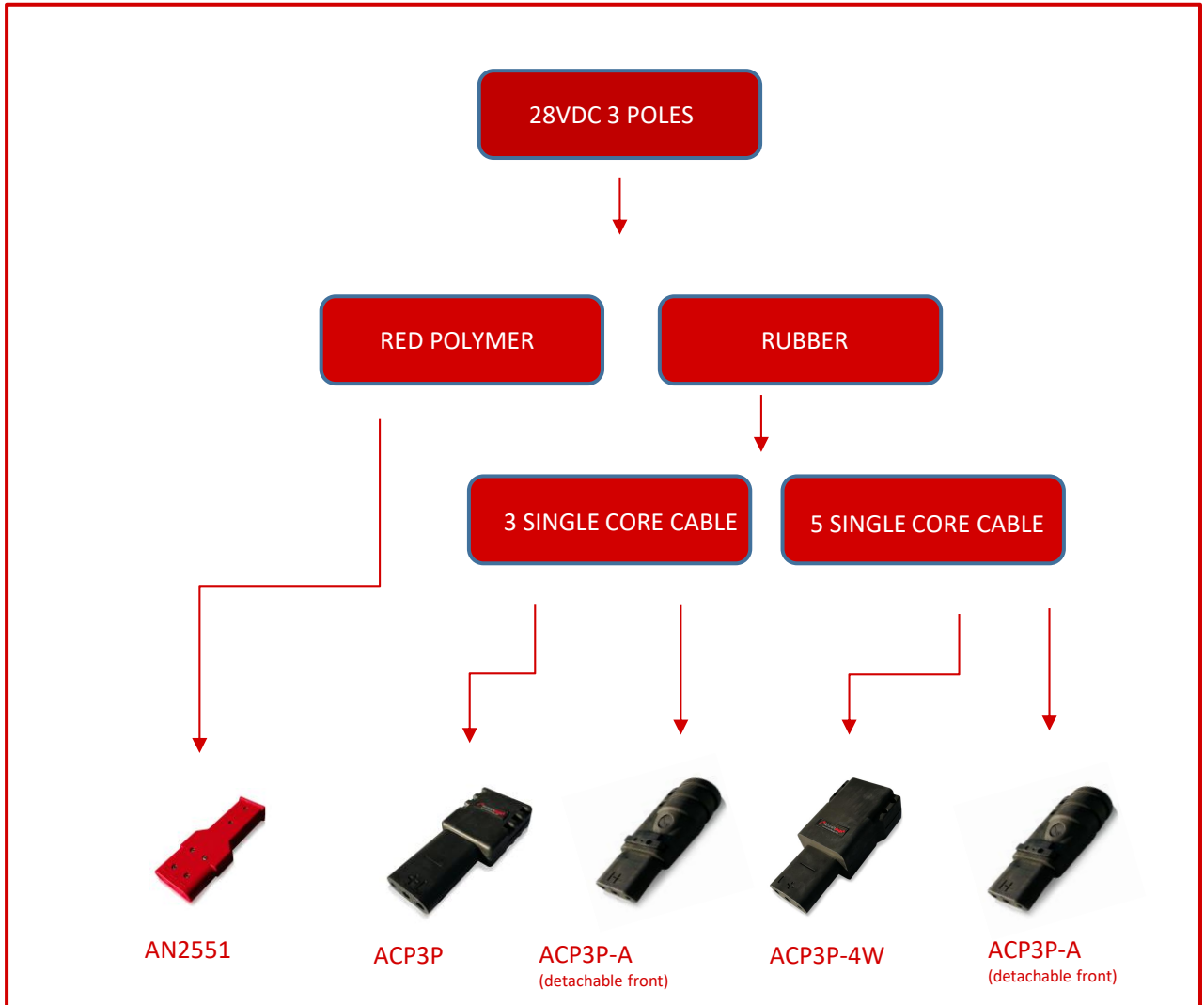
- Do you look for key gadget holder with your company brand on it, or other publicity material in rubber. Or you need rubber seal or technical rubber product. We produce all kinds of precision rubber molded components and rubber-to-metal bonded assemblies at competitive pricing. We do also welcome small series.

AWG to mm2 conversion table

SIZE AWG OR MCM	Mm2	Aprox. Diameter	Maximum amps Single conductor copper (NFPA)
20	0,52	,97	7
18	0,82	1,22	10
16	1,31	1,52	15
14	2,08	1,98	20
12	3,31	2,57	25
10	5,26	3,2	40
8	8,37	4,11	65
6	13,3	5,46	95
4	21,15	6,83	125
2	33,62	8,56	170
1	42,41	9,55	195
1/0	53,50	10,74	230
2/0	67,43	12,9	265
3/0	85,01	14,63	310
4/0	107,2	16,38	360
250	126,7	18,11	405
300	152,0	19,51	445
500	253,4	25,32	620
750	380,0	30,66	785
1000	506,7	35,66	935

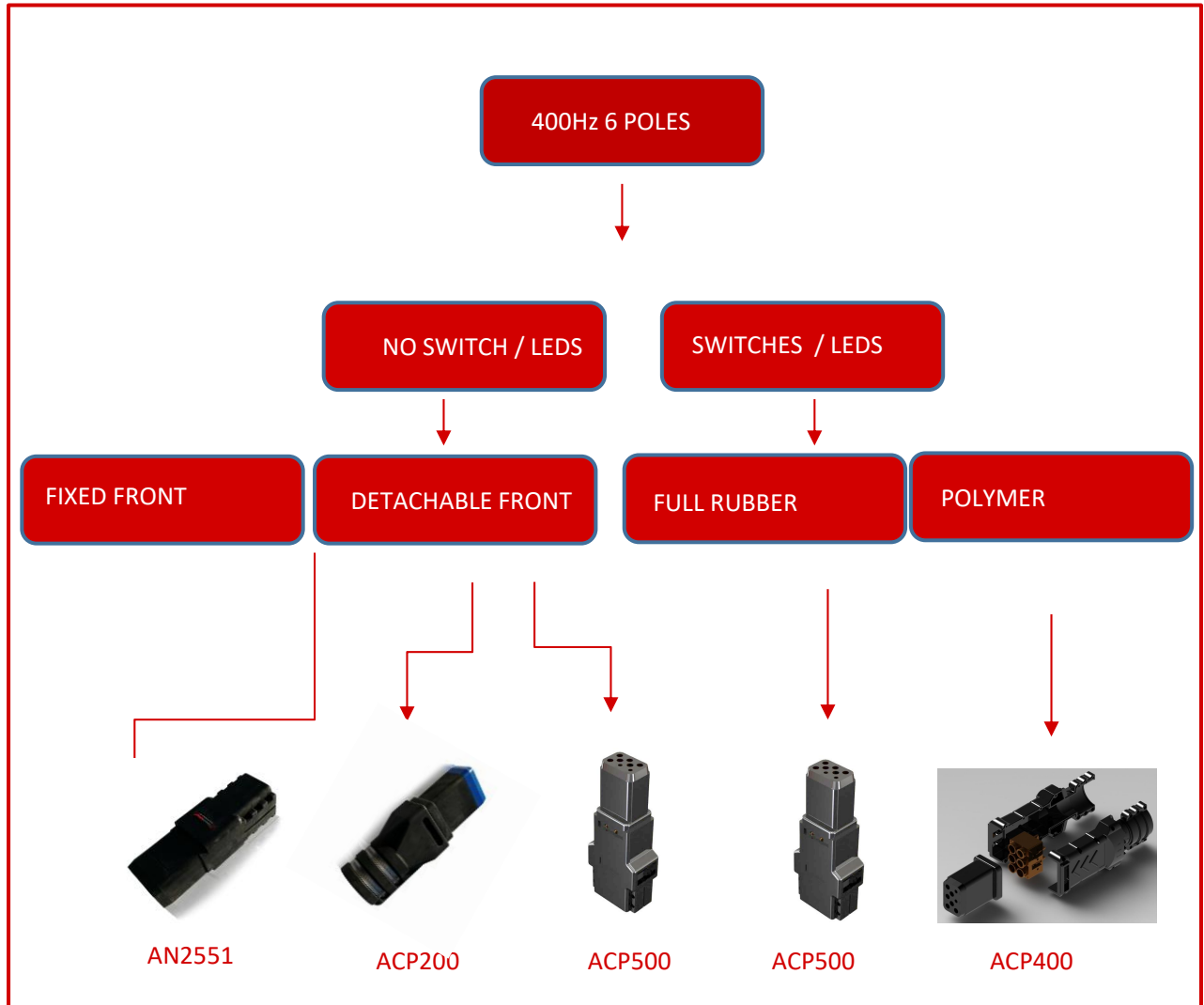


28VDC PLUG SELECTOR



Connect with confidence
Disconnect in safety

400Hz PLUG SELECTOR



Connect with confidence
Disconnect in safety



Aircraftplugs®

Distributed by

Aircraftplugs®

Kruisboommolestraat 7/9
Industrialpark strohof
B-8800 Roeselare
Belgium



Aircraftplugs®

The drawings, images, and information are the property of Aircraftplugs®. Any publication, duplication, disclosure, or any use not authorized by Aircraftplugs® is prohibited. patented by DAVIATION BVBA