



**PRODUCER OF DOWNLOCK AND BYPASS PINS**



---

## OUR ADVANTAGES

We stand for top quality products, client first service and worldwide on-time deliveries.

Every delivery comes with all certificates and export documents. Deliveries throughout Europe and the rest of the world are prompt and right on time.

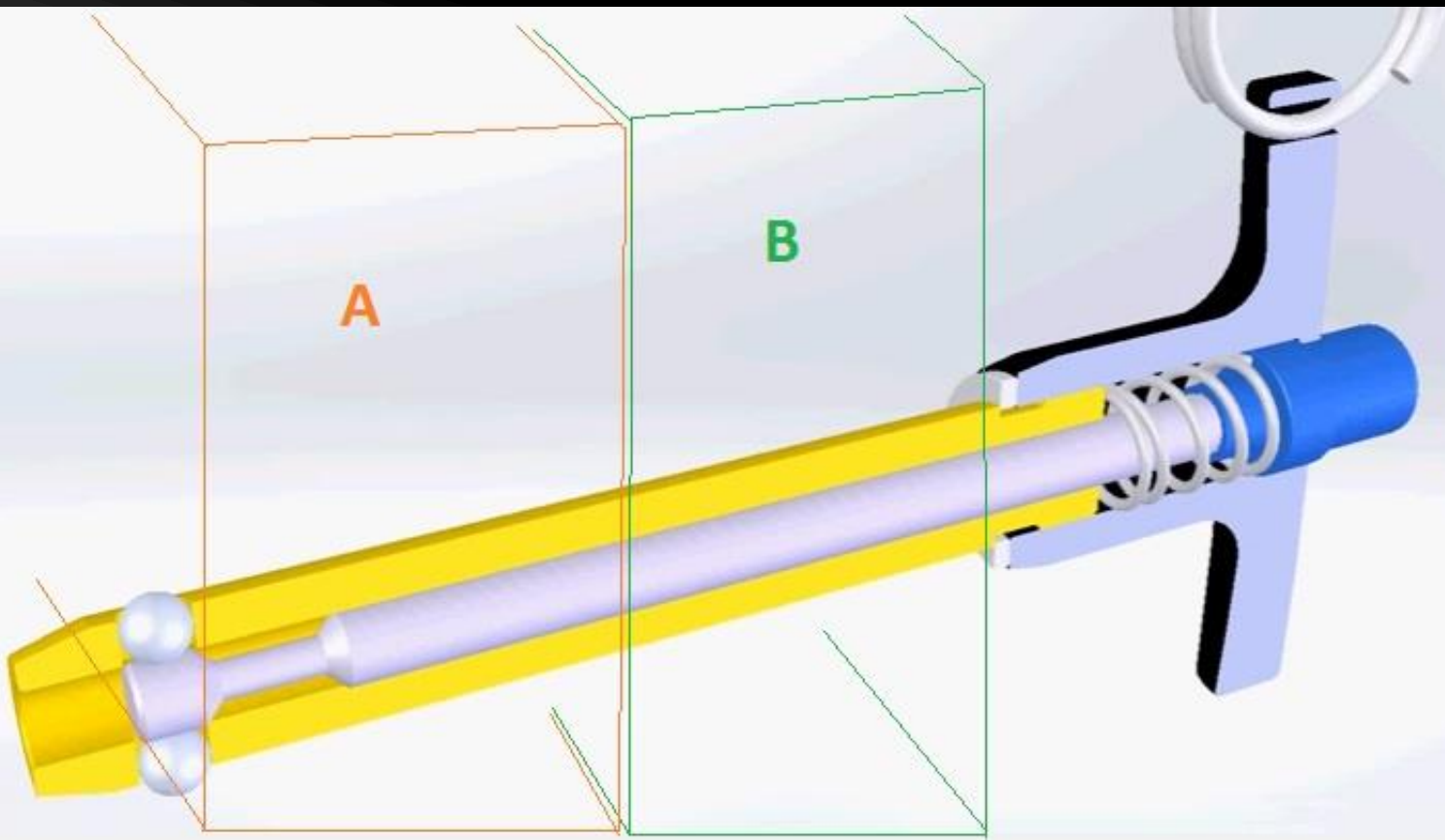
World largest stock and Product line.

Competitive pricing.



## OUR PRODUCTS

Each bypass / dowlock pin is made of high-strength steel and the kit comes with a bright red flag with the words "REMOVE BEFORE FLIGHT." The flag is fitted to the pin with a heavy-duty clip and lanyard.



---

## BYPASS PINS

Having been in business for over 25 years, we continue to build upon our reputation of success.

We use 2D and 3D design software for modelling objects better and faster.

Upon request, we do tailor made pins.

More than 500 in stock.

---

## BYPASS PINS

Bypass Pin with Remove Before Flight Flag and Lanyard.

Aircraft bypass pins are used to bypass hydraulic system steering on aircraft, allowing for steering to be controlled completely by the pushback tug. Failure to use a bypass pin when the hydraulic system is activated can lead to equipment damage and operator injuries, as well as damage to the aircraft. Since some aircraft cannot bypass hydraulic steering without shutting down the entire hydraulic system, a bypass pin saves time and makes towing easy.

Each bypass pin is made of high-strength steel and the kit comes with a bright red flag with the words "REMOVE BEFORE FLIGHT." The flag is fitted to the pin with a heavy-duty clip and lanyard.

---

# BYPASS PIN P/N

- APNSW125 Bypass Pin Set w/Flags, Boeing 717 / MD80/90
- APNSW126 Bypass Pin Set w/Flags, Boeing MD11
- APNSW127 Bypass Pin Set w/Flags, Boeing 727
- APNSW128 Bypass Pin Set w/Flags, Airbus 300
- APNSW129 Bypass Pin Set w/Flags, Airbus 310
- APNSW130 Bypass Pin Set w/Flags, Airbus 320-321
- APNSW131 Bypass Pin Set w/Flags, Airbus 330
- APNSW132 Bypass Pin Set w/Flags, Airbus 340
- APNSW133 Bypass Pin Set w/Flags, Airbus 380
- APNSW134 Bypass Pin Set w/Flags, Boeing 737 (200/500)
- APNSW141 Bypass Pin Set w/Flags, Boeing 737 (600/900)
- APNSW135 Bypass Pin Set w/Flags, Boeing 757
- APNSW136 Bypass Pin Set w/Flags, Boeing 767
- APNSW137 Bypass Pin Set w/Flags, Boeing 777
- APNSW138 Bypass Pin Set w/Flags, Boeing 747
- APNSW139 Bypass Pin Set w/Flags, DC9
- APNSW140 Bypass Pin Set w/Flags, MD 83
- APNSW141 Bypass Pin Set w/Flags MLG for Challenger 300-350
- APNSW142 Bypass Pin Set w/Flags NLG for Challenger 300-350
- APNSW143 Bypass Pin Set w/Flags Gulfstream G2, G3 (G300), G350, G4 (G400), G450, G5 (G500) and G550 aircraft
- APNSW144 only flag

for specific requirements, check with our sales department.

---

## DOWNLOCK/GROUND PIN P/N

- APDLP125 Boeing Aircraft 737-600 737-700 737-700 BBJ 737-700 ER 737-800 Downlock pin w/Flag
- APDLP126 Boeing Aircraft 737-600 737-700 737-700 BBJ 737-700 ER 737-800 Downlock pin w/Flag (set of 3 pins + mains + nosegear pin)
- APDLP127 Bombardier Challenger 600 Series Main Landing Gear Downlock Pin Assembly w/Flag
- APDLP128 Bombardier Challenger 600 Series nose Landing Gear Downlock Pin Assembly w/Flag
- APDLP129 Bombardier Challenger 600 Series Main+Nose Landing Gear Downlock Pin Assembly w/Flag assembly
- APDLP130 Bombardier Global Express Main Landing Gear Downlock Pin Assembly w/Flag
- APDLP131 Bombardier Global Express Nose Landing Gear Downlock Pin Assembly w/Flag
- APDLP132 Cessna Citation X Nose Landing Gear Downlock Pin Assembly w/Flag
- APDLP133 Cessna Citation X Main Landing Gear Downlock Pin Assembly w/Flag
- APDLP134 Downlock Pin Set w/Flag, Gulfstream G2-G550 w/Flag  
(includes 3 pins This downlock pin kit is for use on Gulfstream G2, G3 (G300), G350, G4 (G400), G450, G5 (G500) and G550 aircraft.)
- APDLP135 Downlock Pin w/Flag, Gulfstream G2-G550 (Main Landing Gear)  
(This downlock pin is for use on the main landing gear of Gulfstream G2, G3 (G300), G350, G4 (G400), G450, G5 (G500) and G550 aircraft.  
This pin includes a safety flag. )
- APDLP136 This downlock pin is for use on the nose landing gear of Gulfstream G2, G3 (G300), G350, G4 (G400), G450, G5 (G500) and G550 aircraft. This pin includes a safety flag.
- APDLP137 EMB-135/145 Main Landing Gear Downlock Pin Assembly w/Flag.
- APDLP138 EMB-135/145 nose Landing Gear Downlock Pin Assembly w/Flag.
- APDLP139 EMB-170 Main Landing Gear Downlock Pin Assembly w/Flag.
- APDLP140 EMB-170 nose Landing Gear Downlock Pin Assembly w/Flag.
- APDLP141 Embraer Legacy 450/550 Main Landing Gear Downlock Pin Assembly w/Flag.
- APDLP142 Embraer Legacy 450/550 Nose Landing Gear Downlock Pin Assembly w/Flag.
- APDLP143 Falcon 7X/8X Main Landing Gear Downlock Pin Assembly w/Flag.
- APDLP144 Falcon 7X/8X Nose Landing Gear Downlock Pin Assembly w/Flag.
- APDLP145 Gulfstream G280 Main Landing Gear Downlock Pin Assembly w/Flag.
- APDLP146 Gulfstream G280 Nose Landing Gear Downlock Pin Assembly w/Flag.
- APDLP147 Gulfstream G450 Main Landing Gear Downlock Pin Assembly w/Flag.
- APDLP148 Gulfstream G450 Nose Landing Gear Downlock Pin Assembly w/Flag.
- APDLP149 Phenom 100 Main Landing Gear Downlock Pin Assembly w/Flag.
- APDLP150 Phenom 100 Nose Landing Gear Downlock Pin Assembly w/Flag.
- APDLP151 Phenom 300 Main Landing Gear Downlock Pin Assembly w/Flag.
- APDLP152 Phenom 300 Nose Landing Gear Downlock Pin Assembly w/Flag.
- APDLP153 Raytheon Hawker (HS-125, 400-1000) Main Landing Gear Downlock Pin Assembly w/Flag.
- APDLP154 Only Flag

for specific requirements, check with our sales department.

