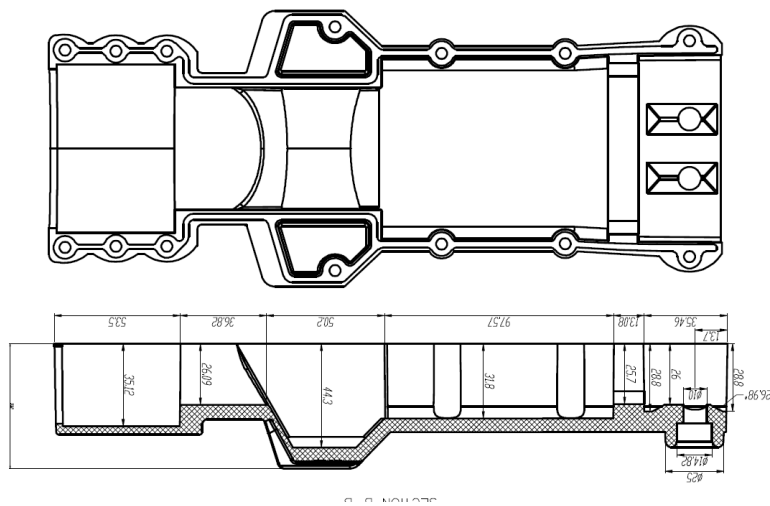
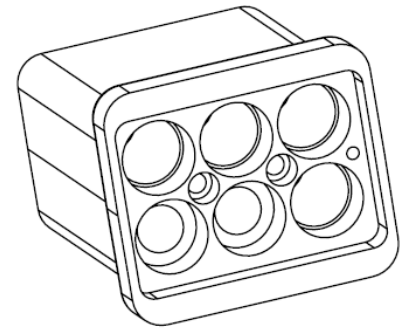


GENERAL



PROPERTIES

450 A continuous , 1500 A for 1 minute, control contact 35 A continuous.
 Mates with the Aircraftplugs MS90362 external power receptacle.
 Performance and dimensions to ISO 461 (BS4G173:1985) and appropriate MOD (Air) and NSN Standards.
 Cable assemblies to client requirements available.
 Max. wire 120mm² or 4/0 AWG 250 MCM or single jacket.
 Stainless steel screws.



GENERAL

- high impact resistance, rubber & polymer external power connector.
- 400 Hz – 115 Volt, optional thermal protection in nose section.
- Solid insert switches.
- Optional temperature control.
- Special cable sizes and configurations on request.
- On / Off Up / Down switch and LED config.
- Modular connector.
- 90% insert switch.

PROPERTIES

450 A continuous , 1500 A for 1 minute, control contact 35 A continuous.

Mates with the Aircraftplugs MS90362 external power receptacle.

Performance and dimensions to ISO 461 (BS4G173:1985) and appropriate MOD (Air) and NSN Standards.

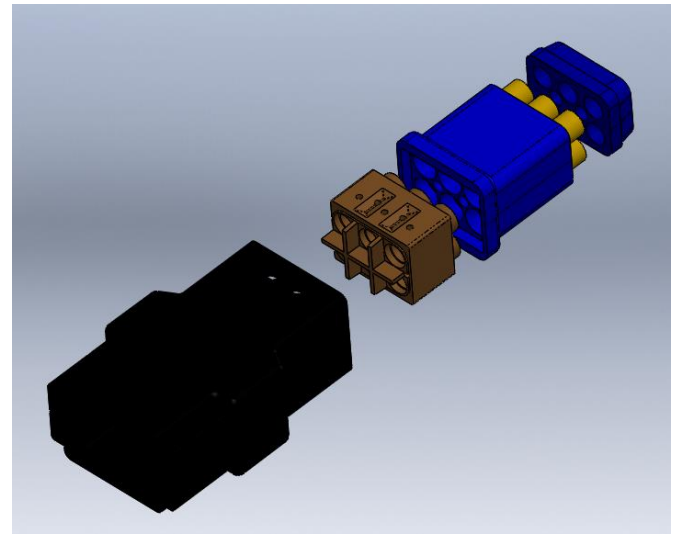
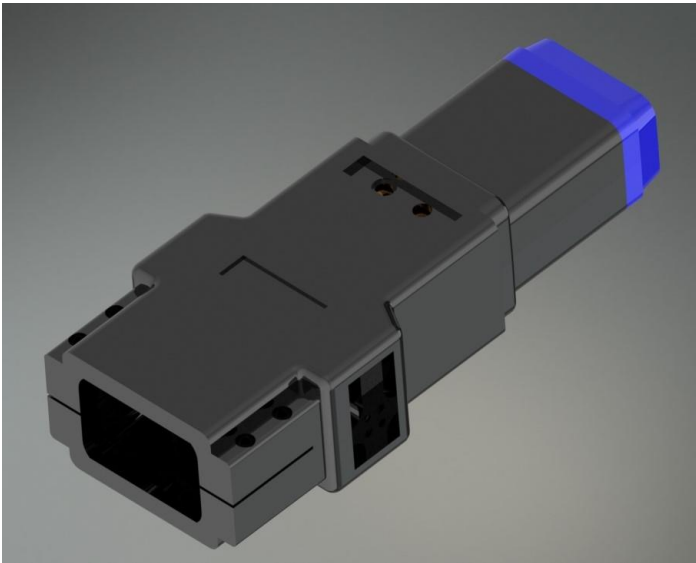
Cable assemblies to client requirements available.

Max. wire 120mm² or 4/0 AWG 250 MCM.

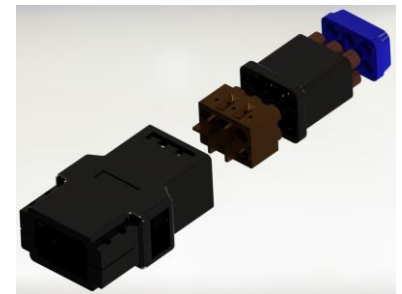
Stainless steel screws.

PARTNUMBERS

PLUG PART	Configuration	CABLE section	GRUMMET	RECEPTACLE
ACP400-50	LED / INSERT / ON-OFF	50mm ² #8/2	ACP400GW1	ACP3R1
ACP400-70	LED / INSERT / ON-OFF	70mm ² 2-1/0	ACP400GW2	ACP3R2
ACP400-90	LED / INSERT / ON-OFF	90 mm ² 2-1/0	ACP400GW3	ACP3R3
ACP400-120	LED / INSERT / ON-OFF	120 mm ² 2-2/0 single conductor	ACP400GW4	ACP3R4


GENERAL

- high impact resistance, rubber & polymere external power connector.
- 400 Hz – 115 Volt, optional thermal protection in nose section.
- Solid insert switches.
- Optional temperature control.
- Special cable sizes and configurations on request.
- On / Off Up / Down switch and LED config.
- Modular connector.
- 90% insert switch.


PROPERTIES

450 A continuous , 1500 A for 1 minute, control contact 35 A continuous.

Mates with the Aircraftplugs MS90362 external power receptacle.

Performance and dimensions to ISO 461 (BS4G173:1985) and appropriate MOD (Air) and NSN Standards.

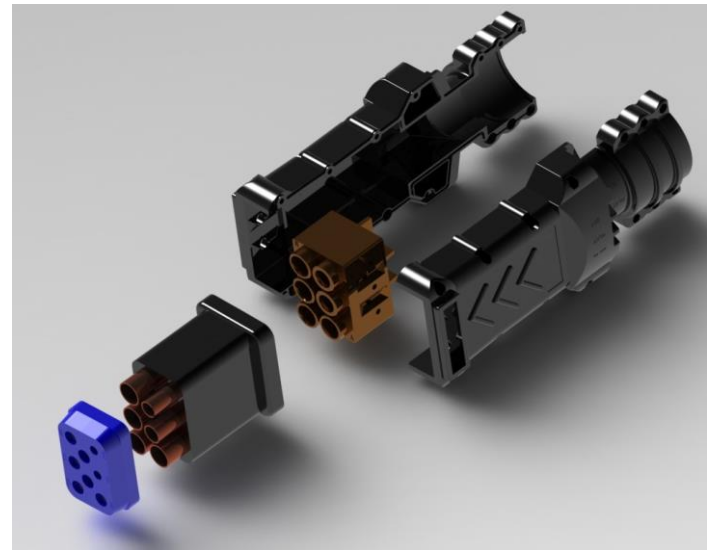
Cable assemblies to client requirements available.

Max. wire 120mm² or 4/0 AWG 250 MCM.

Stainless steel screws.

PARTNUMBERS

PLUG PART	Configuration	CABLE section	GRUMMET	RECEPTACLE
ACP400-50	LED / INSERT / ON-OFF	50mm ² #8/2	ACP400GW1	ACP3R1
ACP400-70	LED / INSERT / ON-OFF	70mm ² 2-1/0	ACP400GW2	ACP3R2
ACP400-90	LED / INSERT / ON-OFF	90 mm ² 2-1/0	ACP400GW3	ACP3R3
ACP400-120	LED / INSERT / ON-OFF	120 mm ² 2-2/0 single conductor	ACP400GW4	ACP3R4



GENERAL

- high impact resistance, rubber & polymere external power connector.
- 400 Hz – 115 Volt, optional thermal protection in nose section.
- Solid insert switches.
- Optional temperature control.
- Special cable sizes and configurations on request.
- On / Off Up / Down switch and LED config.
- Modular connector.
- 90% insert switch.

PROPERTIES

450 A continuous , 1500 A for 1 minute, control contact 35 A continuous.

Mates with the aircraftplugs MS90362 external power receptacle.

Performance and dimensions to ISO 461 (BS4G173:1985) and appropriate MOD (Air) and NSN Standards.

Cable assemblies to client requirements available.

Max. wire 120mm² or 4/0 AWG 250 MCM.

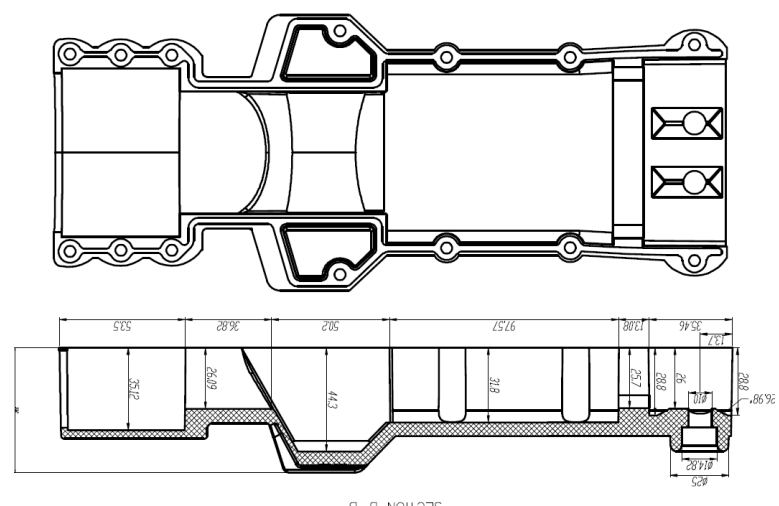
Stainless steel screws.

PARTNUMBERS

PLUG PART	Configuration	CABLE section	GRUMMET	RECEPTACLE
ACP400-50	LED / INSERT / ON-OFF	50mm ² #8/2	ACP400GW1	ACP3R1
ACP400-70	LED / INSERT / ON-OFF	70mm ² 2-1/0	ACP400GW2	ACP3R2
ACP400-90	LED / INSERT / ON-OFF	90 mm ² 2-1/0	ACP400GW3	ACP3R3
ACP400-120	LED / INSERT / ON-OFF	120 mm ² 2-2/0 single conductor	ACP400GW4	ACP3R4



GENERAL



PROPERTIES

450 A continuous , 1500 A for 1 minute, control contact 35 A continuous.
 Mates with the aircraftplugs MS90362 external power receptacle.
 Performance and dimensions to ISO 461 (BS4G173:1985) and appropriate MOD (Air) and NSN Standards.
 Cable assemblies to client requirements available.
 Max. wire 120mm² or 4/0 AWG 250 MCM.
 Stainless steel screws.