

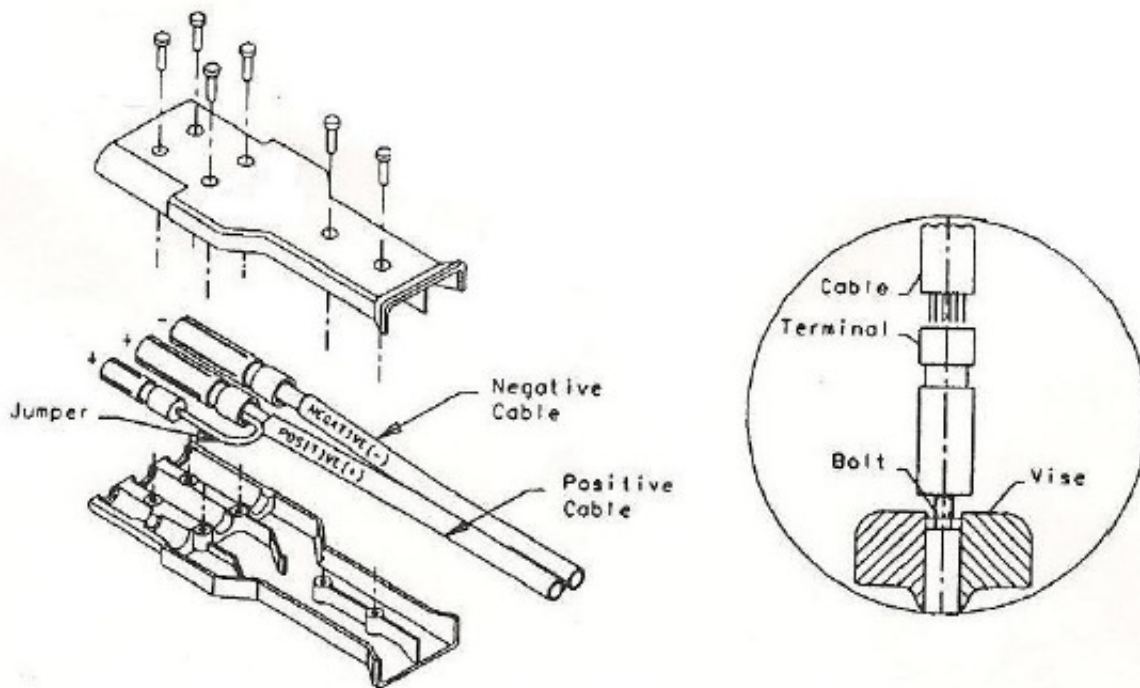
 **Aircraftplugs®**

Producer of ground power connectors

Connect with confidence
Disconnect in safety



AIRCRAFTPLUGS® AN2551



Aircraftplugs® AN2551 Technical instructions

1. Strip 13 mm – ½ inch insulation from the end of each cable.
2. Support terminal as shown in inset of vise with cable end up.
3. Heat top of terminal with torch with a pointed flame; fill the opening about ¾ full with rosin core solder. Aircraftplugs solder is available and recommended. Caution : flux will flame if overheated.
4. Remove heat; slowly insert end of negative cable allowing solder to flow into cable.
5. Solder jumper into small terminal as above.
6. Solder positive cable and jumper into the remaining terminal.
7. Assemble plug as shown. BE SURE POLARITY IS CORRECT.



Aircraftplugs®

Kruisboommostraat 7/9
Industrialpark strohof
B-8800 Roeselare
Belgium

Tel: +32 51 77 99 19
Fax: +32 51 79 02 53
AOG Hotline : +32 491 152 980

© AIRCRAFTPLUGS
INDUSTRIALPARK STROHOF

