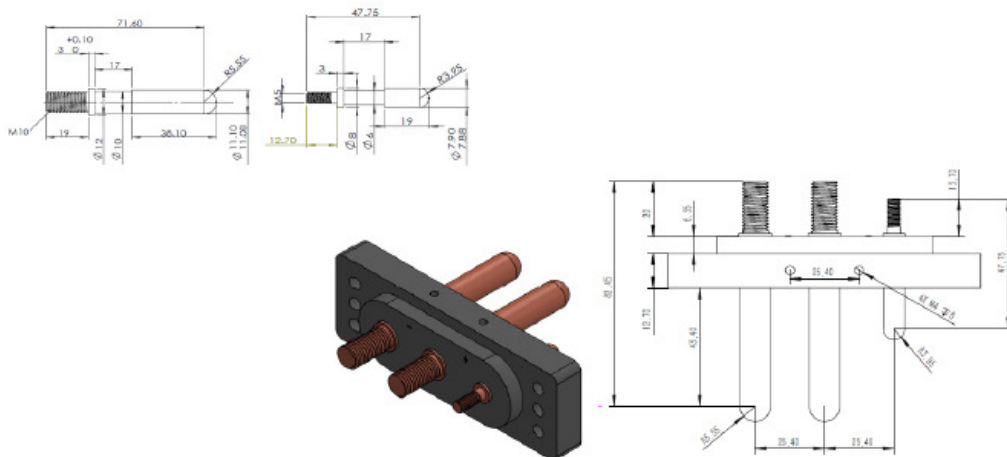


## PRODUCT DESCRIPTION

Aircraftplugs® 28VDC receptacle according to MS3506-1 (AN2552) dimensions, with or without shield. (Shield optional).

## TECHNICAL PROPERTIES

- Made by [www.aircraftplugs.com](http://www.aircraftplugs.com) in belgium.
- DC application.
- Chemical surface treated shield GREEN, optional without treatment in aluminium.
- MS3506-1 , AN2552 dimensions.
- Aluminium shield (Green epoxy layer optional)
- Sleeves are solid copper, silver plated.
- Corrosion proof.
- Mates with AN2551 external power connectors.
- Be sure of polarity when assembling.



Aircraftplugs

+32-491.152.980 - FAX : +32-51.77.99.19

E-mail : [info@aircraftplugs.com](mailto:info@aircraftplugs.com)

[www.aircraftplugs.com](http://www.aircraftplugs.com)